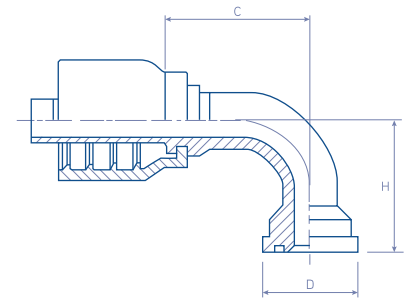




90° Elbow SuperCAT Flange – SC90



BW23.7196.

SAE J516 (CODE 62) / SAE J518 / ISO 12151-3

REFERENCE	#	hose		flange size	dimensions		
		dash	inch		C - Cut Off	H	D
BW2308-08SC90	BW23.7196.0808	08	1/2"	1/2"	47,0	47,0	31,7
BW2308-12SC90	BW23.7196.0812	08	1/2"	3/4"	50,5	56,0	41,3
BW2310-12SC90	BW23.7196.1012	10	5/8"	3/4"	53,5	58,0	41,3
BW2312-12SC90	BW23.7196.1212	12	3/4"	3/4"	55,0	60,0	41,3
BW2312-16SC90	BW23.7196.1216	12	3/4"	1"	55,0	68,0	47,6
BW2316-16SC90	BW23.7196.1616	16	1"	1"	76,0	70,0	47,6
BW2316-20SC90	BW23.7196.1620	16	1"	1.1/4"	76,0	82,0	54,0

MATERIAL: Carbon Steel

FINISH: Chromium-(VI) Free plating /
ROHS compliant

Suitable to be used on medium and high pressure braided and spiral hoses:

FORZA UNO R1AT/1SN; FORZA UNO "SHARK SKIN" R1AT/1SN; FORZA UNO TROPIC R1AT/1SN; FORZA DUE R2AT/2SN; FORZA DUE "SHARK SKIN" R2AT/2SN; FORZA DUE TROPIC R2AT/2SN; BALPAC PREMIUM R16/2SC; BALPAC PREMIUM "SHARK SKIN" R16/2SC; BALPAC PREMIUM TROPIC R16/2SC; IMPACTUS 5K; IMPACTUS 6K; BALPAC 3000 R17/1SC; BALPAC 3000 "SHARK SKIN" R17/1SC; 2-MAX JACK; BALWASH 1W; BALWASH 2W; BALMASTER BESTFLEX R12; BALMASTER BESTFLEX 4SP; POWERSPIR BESTFLEX 4SH; POWERSPIR BESTFLEX R13 (3/4" & 1"); POWERSPIR BESTFLEX R15 (3/4" & 1")