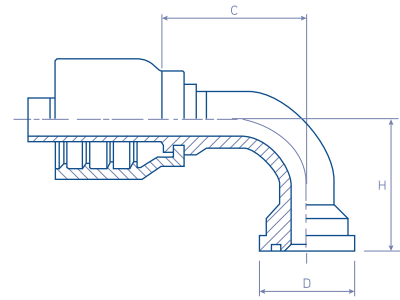


90° Elbow SAE 6000 PSI Code 62 Flange - PH90



BW23.7096.

SAE J516 (CODE 62) / SAE J518 / ISO 12151-3

REFERENCE	#	hose		flange size	dimensions		
		dash	inch		C - Cut Off	H	D
BW2308-08PH90	BW23.7096.0808	08	1/2"	1/2"	50,0	47,0	31,7
BW2308-12PH90	BW23.7096.0812	08	1/2"	3/4"	46,0	56,0	41,3
BW2310-12PH90	BW23.7096.1012	10	5/8"	3/4"	54,0	58,0	41,3
BW2312-12PH90	BW23.7096.1212	12	3/4"	3/4"	60,0	58,0	41,3
BW2312-16PH90	BW23.7096.1216	12	3/4"	1"	60,0	70,0	47,6
BW2316-16PH90	BW23.7096.1616	16	1"	1"	77,0	70,0	47,6
BW2316-20PH90	BW23.7096.1620	16	1"	1.1/4"	72,0	70,0	54
BW2320-20PH90	BW23.7096.2020	20	1.1/4"	1.1/4"	97,0	79,0	54
BW2320-24PH90	BW23.7096.2024	20	1.1/4"	1.1/2"	100,0	97,0	63,5
BW2324-24PH90	BW23.7096.2424	24	1.1/2"	1.1/2"	107,0	97,0	63,5
BW2324-32PH90	BW23.7096.2432	24	1.1/2"	2"	107,0	125,0	79,4
BW2332-32PH90	BW23.7096.3232	32	2"	2"	130,0	138,0	79,4

MATERIAL: Carbon Steel

FINISH: Chromium-(VI) Free plating /
ROHS compliant

Suitable to be used on medium and high pressure braided and spiral hoses:

FORZA UNO R1AT/1SN; FORZA UNO "SHARK SKIN" R1AT/1SN; FORZA UNO TROPIC R1AT/1SN;
FORZA DUE R2AT/2SN; FORZA DUE "SHARK SKIN" R2AT/2SN; FORZA DUE TROPIC R2AT/2SN;
BALPAC PREMIUM R16/2SC; BALPAC PREMIUM "SHARK SKIN" R16/2SC; BALPAC PREMIUM
TROPIC R16/2SC; IMPACTUS 5K; IMPACTUS 6K; BALPAC 3000 R17/1SC; BALPAC 3000 "SHARK
SKIN" R17/1SC; 2-MAX JACK; BALWASH 1W; BALWASH 2W; BALMASTER BESTFLEX R12;
BALMASTER BESTFLEX 4SP; POWERSPIR BESTFLEX 4SH; POWERSPIR BESTFLEX R13 (3/4" &
1"); POWERSPIR BESTFLEX R15 (3/4" & 1")