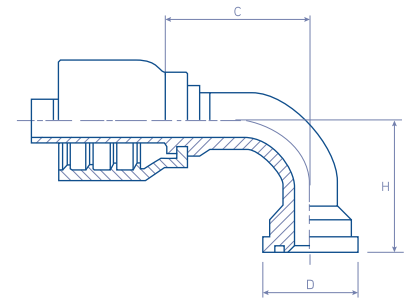




# 90° Elbow SAE 3000 PSI Code 61 Flange - PA90



BW23.7093.

SAE J516 (CODE 61) / SAE J518 / ISO 12151-3

REFERENCE	#	hose		flange size	dimensions		
		dash	inch		C - Cut Off	H	D
BW2308-08PA90	BW23.7093.0808	08	1/2"	1/2"	48,0	41,0	30,2
BW2308-12PA90	BW23.7093.0812	08	1/2"	3/4"	50,0	48,0	38,1
BW2310-12PA90	BW23.7093.1012	10	5/8"	3/4"	55,0	55,0	38,1
BW2312-12PA90	BW23.7093.1212	12	3/4"	3/4"	60,0	60,0	38,1
BW2312-16PA90	BW23.7093.1216	12	3/4"	1"	65,0	60,0	44,5
BW2316-16PA90	BW23.7093.1616	16	1"	1"	73,0	61,0	44,5
BW2316-20PA90	BW23.7093.1620	16	1"	1.1/4"	73,0	61,0	50,8
BW2320-20PA90	BW23.7093.2020	20	1.1/4"	1.1/4"	93,0	69,0	50,8
BW2320-24PA90	BW23.7093.2024	20	1.1/4"	1.1/2"	98,0	70,0	60,3
BW2324-24PA90	BW23.7093.2424	24	1.1/2"	1.1/2"	105,0	83,0	60,3
BW2324-32PA90	BW23.7093.2432	24	1.1/2"	2"	105,0	83,0	71,4
BW2332-32PA90	BW23.7093.3232	32	2"	2"	125,0	130,0	71,4

**MATERIAL:** Carbon Steel

**FINISH:** Chromium-(VI) Free plating /  
ROHS compliant

## Suitable to be used on medium and high pressure braided and spiral hoses:

FORZA UNO R1AT/1SN; FORZA UNO "SHARK SKIN" R1AT/1SN; FORZA UNO TROPIC R1AT/1SN;  
FORZA DUE R2AT/2SN; FORZA DUE "SHARK SKIN" R2AT/2SN; FORZA DUE TROPIC R2AT/2SN;  
BALPAC PREMIUM R16/2SC; BALPAC PREMIUM "SHARK SKIN" R16/2SC; BALPAC PREMIUM  
TROPIC R16/2SC; IMPACTUS 5K; IMPACTUS 6K; BALPAC 3000 R17/1SC; BALPAC 3000 "SHARK  
SKIN" R17/1SC; 2-MAX JACK; BALWASH 1W; BALWASH 2W; BALMASTER BESTFLEX R12;  
BALMASTER BESTFLEX 4SP; POWERSPIR BESTFLEX 4SH; POWERSPIR BESTFLEX R13 (3/4" &  
1"); POWERSPIR BESTFLEX R15 (3/4" & 1")