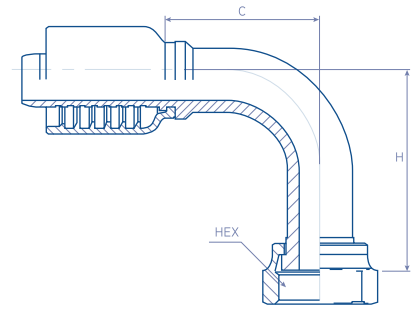


# Female ORFS Swivel 90° Long Elbow - OFT90

BW23.4494-L.

ISO 12151-1 / ISO 8434-3 / SAE J1453



REFERENCE	#	hose		thread	dimensions		
		dash	inch		C - Cut Off	H	HEX
BW2304-04OF90L	BW23.4494.0404L	04	1/4"	9/16"-18	21,0	46,0	17
BW2306-06OF90L	BW23.4494.0606L	06	3/8"	11/16"-16	35,5	54,0	22
BW2306-08OF90L	BW23.4494.0608L	06	3/8"	13/16"-16	37,0	64,0	24
BW2308-08OF90L	BW23.4494.0808L	08	1/2"	13/16"-16	40,0	64,0	24
BW2310-10OF90L	BW23.4494.1010L	10	5/8"	1"-14	53,5	70,0	30
BW2312-12OF90L	BW23.4494.1212L	12	3/4"	1.3/16"-12	57,0	96,0	36
BW2316-16OF90L	BW23.4494.1616L	16	1"	1.7/16"-12	70,3	114,0	41

**MATERIAL:** Carbon Steel

**FINISH:** Chromium-(VI) Free plating /  
ROHS compliant

### Suitable to be used on medium and high pressure braided and spiral hoses:

FORZA UNO R1AT/1SN; FORZA UNO "SHARK SKIN" R1AT/1SN; FORZA UNO TROPIC R1AT/1SN;  
FORZA DUE R2AT/2SN; FORZA DUE "SHARK SKIN" R2AT/2SN; FORZA DUE TROPIC R2AT/2SN;  
BALPAC PREMIUM R16/2SC; BALPAC PREMIUM "SHARK SKIN" R16/2SC; BALPAC PREMIUM  
TROPIC R16/2SC; IMPACTUS 5K; IMPACTUS 6K; BALPAC 3000 R17/1SC; BALPAC 3000 "SHARK  
SKIN" R17/1SC; 2-MAX JACK; BALWASH 1W; BALWASH 2W; BALMASTER BESTFLEX R12;  
BALMASTER BESTFLEX 4SP; POWERSPIR BESTFLEX 4SH; POWERSPIR BESTFLEX R13 (3/4" &  
1"); POWERSPIR BESTFLEX R15 (3/4" & 1")