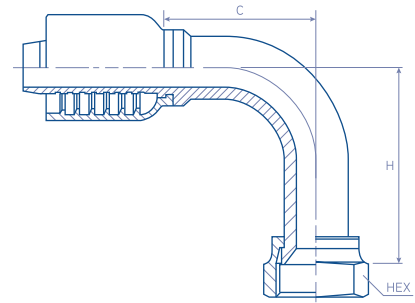


Female JIC 37° Swivel 90° Long Elbow - FJ90L

BW23.4092L.

ISO 12151-5 / ISO 8434-2 / SAE J516 / SAE J514



REFERENCE	#	hose		thread	dimensions		
		dash	inch		C - Cut Off	W	HEX
BW2304-04FJ90L	BW23.4092.0404L	04	1/4"	7/16"-20	31,9	46,0	14
BW2304-05FJ90L	BW23.4092.0405L	04	1/4"	1/2"-20	32,0	46,0	16
BW2304-06FJ90L	BW23.4092.0406L	04	3/8"	9/16"-18	31,7	46,0	19
BW2306-06FJ90L	BW23.4092.0606L	06	3/8"	9/16"-18	33,0	54,0	19
BW2306-08FJ90L	BW23.4092.0608L	06	3/8"	3/4"-16	38,0	64,0	22
BW2308-08FJ90L	BW23.4092.0808L	08	1/2"	3/4"-16	44,0	64,0	22
BW2308-10FJ90L	BW23.4092.0810L	08	1/2"	7/8"-14	46,0	65,0	27
BW2310-10FJ90L	BW23.4092.1010L	10	5/8"	7/8"-14	55,0	70,0	27
BW2312-12FJ90L	BW23.4092.1212L	12	3/4"	1.1/16"-12	56,0	96,0	32
BW2312-16FJ90L	BW23.4092.1216L	12	3/4"	1.5/16"-12	60,0	100,0	38
BW2316-16FJ90L	BW23.4092.1616L	16	1"	1.5/16"-12	76,0	114,0	38

MATERIAL: Carbon Steel

FINISH: Chromium-(VI) Free plating /
ROHS compliant

Suitable to be used on medium and high pressure braided and spiral hoses:

FORZA UNO R1AT/1SN; FORZA UNO "SHARK SKIN" R1AT/1SN; FORZA UNO TROPIC R1AT/1SN;
FORZA DUE R2AT/2SN; FORZA DUE "SHARK SKIN" R2AT/2SN; FORZA DUE TROPIC R2AT/2SN;
BALPAC PREMIUM R16/2SC; BALPAC PREMIUM "SHARK SKIN" R16/2SC; BALPAC PREMIUM
TROPIC R16/2SC; IMPACTUS 5K; IMPACTUS 6K; BALPAC 3000 R17/1SC; BALPAC 3000 "SHARK
SKIN" R17/1SC; 2-MAX JACK; BALWASH 1W; BALWASH 2W; BALMASTER BESTFLEX R12;
BALMASTER BESTFLEX 4SP; POWERSPIR BESTFLEX 4SH; POWERSPIR BESTFLEX R13 (3/4" &
1"); POWERSPIR BESTFLEX R15 (3/4" & 1")