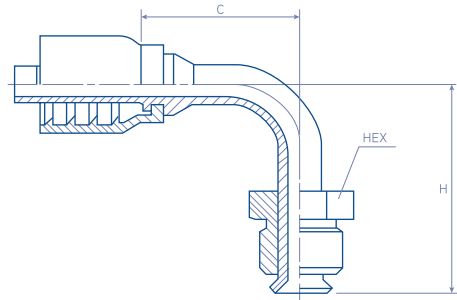


# SAE Inverted 45° Flare 90° Elbow Male - MSAE 90

BW23.2290.



REFERENCE	#	hose		thread	dimensions		
		dash	inch		C - Cut Off	H	HEX
BW2304-04-M-SAE90	BW23.2290.0404	04	1/4"	7/16" - 24UNS	36,0	40,0	11
BW2304-05-M-SAE90	BW23.2290.0405	04	1/4"	1/2" - 20UNF	42,0	40,0	13
BW2304-06-M-SAE90	BW23.2290.0406	04	1/4"	5/8" - 18UNF	40,0	40,0	16
BW2306-04-M-SAE90	BW23.2290.0604	04	3/8"	7/16" - 24UNS	37,0	40,0	11
BW2306-05-M-SAE90	BW23.2290.0605	06	3/8"	1/2" - 20UNF	40,0	40,0	13
BW2306-06-M-SAE90	BW23.2290.0606	06	3/8"	5/8" - 18UNF	40,0	40,0	16
BW2308-08-M-SAE90	BW23.2290.0808	08	1/2"	3/4" - 18UNS	40,0	46,0	19

**MATERIAL:** Carbon Steel

**FINISH:** Chromium-(VI) Free plating /  
ROHS compliant

**Suitable to be used on medium and high pressure braided and spiral hoses:**

FORZA UNO R1AT/1SN; FORZA UNO "SHARK SKIN" R1AT/1SN; FORZA UNO TROPIC R1AT/1SN;  
FORZA DUE R2AT/2SN; FORZA DUE "SHARK SKIN" R2AT/2SN; FORZA DUE TROPIC R2AT/2SN;  
BALPAC PREMIUM R16/2SC; BALPAC PREMIUM "SHARK SKIN" R16/2SC; BALPAC PREMIUM  
TROPIC R16/2SC; IMPACTUS 5K; IMPACTUS 6K; BALPAC 3000 R17/1SC; BALPAC 3000 "SHARK  
SKIN" R17/1SC; 2-MAX JACK; BALWASH 1W; BALWASH 2W; BALMASTER BESTFLEX R12;  
BALMASTER BESTFLEX 4SP