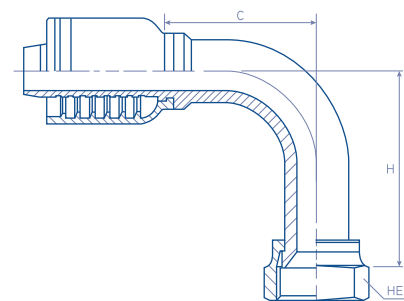




Female JIC 37° Swivel 90° Long Elbow - FJ90L



BF21.4092L.

ISO 12151-5 / ISO 8434-2 / SAE J516 / SAE J514

REFERENCE	#	hose		thread	dimensions		
		dash	inch		C - Cut Off	W	HEX
BF2104-04FJ90L	BF21.4092.0404L	04	1/4"	7/16"-20	31,9	46,0	14
BF2104-05FJ90L	BF21.4092.0405L	04	1/4"	1/2"-20	32,0	46,0	16
BF2104-06FJ90L	BF21.4092.0406L	04	3/8"	9/16"-18	31,7	46,0	19
BF2106-06FJ90L	BF21.4092.0606L	06	3/8"	9/16"-18	33,0	54,0	19
BF2106-08FJ90L	BF21.4092.0608L	06	3/8"	3/4"-16	38,0	64,0	22
BF2108-08FJ90L	BF21.4092.0808L	08	1/2"	3/4"-16	44,0	64,0	22
BF2108-10FJ90L	BF21.4092.0810L	08	1/2"	7/8"-14	46,0	65,0	27
BF2110-10FJ90L	BF21.4092.1010L	10	5/8"	7/8"-14	55,0	70,0	27
BF2112-12FJ90L	BF21.4092.1212L	12	3/4"	1.1/16"-12	56,0	96,0	32
BF2112-16FJ90L	BF21.4092.1216L	12	3/4"	1.5/16"-12	60,0	100,0	38
BF2116-16FJ90L	BF21.4092.1616L	16	1"	1.5/16"-12	76,0	114,0	38

MATERIAL: Carbon Steel

FINISH: Chromium-(VI) Free plating /
ROHS compliant

Suitable to be used on medium and high pressure braided hoses:

FORZA UNO R1AT/1SN; FORZA UNO "SHARK SKIN" R1AT/1SN; FORZA UNO TROPIC R1AT/1SN; FORZA DUE R2AT/2SN; FORZA DUE "SHARK SKIN" R2AT/2SN; FORZA DUE TROPIC R2AT/2SN; BALPAC PREMIUM R16/2SC; BALPAC PREMIUM "SHARK SKIN" R16/2SC; BALPAC PREMIUM TROPIC R16/2SC; IMPACTUS 5K; IMPACTUS 6K; BALPAC 3000 R17/1SC; BALPAC 3000 "SHARK SKIN" R17/1SC; 2-MAX JACK; BALWASH 1W; BALWASH 2W