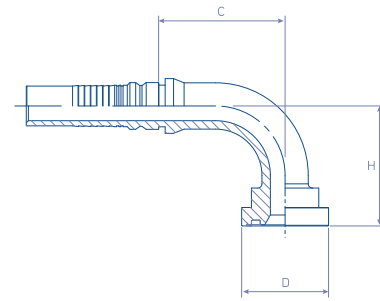


# Interlock 90° Swept SUPERCAT Flange



26.7196.

ISO 6162-2 / ISO 12151-3 / SAE J516 / SAE J518

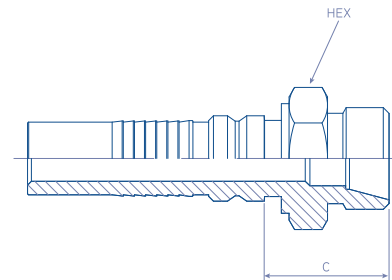
REFERENCE	hose dash	hose Ø inch	D Ø Flange mm	C Cut Off mm	H mm
26.7196.1212	-12	3/4"	41.3	57.0	60.0
26.7196.1216	-12	3/4"	47.6	57.0	68.0
26.7196.1616	-16	1"	47.6	78.0	70.0
26.7196.1620	-16	1"	54.0	78.0	82.0
26.7196.2020	-20	1,1/4"	54.0	106.0	90.0
26.7196.2024	-20	1,1/4"	63.5	106.0	100.0
26.7196.2424	-24	1,1/2"	63.5	113.0	106.0
26.7196.2432	-24	1,1/2"	79.4	113.0	122.0
26.7196.3232	-32	2"	79.4	153.0	134.0

**MATERIAL:** Carbon Steel

**FINISH:** Chromium-(VI) Free plating / ROHS compliant

**VERSIONS:** Stainless Steel (add an 'S' at the end of the REFERENCE)

# Interlock Male Metric Heavy Serie 24° Cone Seat (CES)



26.1100.

ISO 12151-2 / ISO 8434-1

REFERENCE	hose dash	hose Ø inch	thread	d Tube mm	C Cut Off mm	HEX mm
26.1100.1236	-12	3/4"	M36 x 2.0	25	44.0	41
26.1100.1642	-16	1"	M42 x 2.0	30	42.0	46
26.1100.2052	-20	1,1/4"	M52 x 2.0	38	48.2	55

**MATERIAL:** Carbon Steel

**FINISH:** Chromium-(VI) Free plating / ROHS compliant

**VERSIONS:** Stainless Steel (add an 'S' at the end of the REFERENCE)