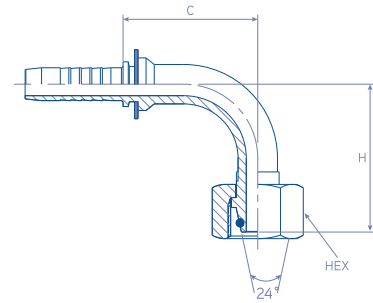


90° Swept Female Metric French Serie 24° Cone Seat Swivel (DKF)



23.5593.

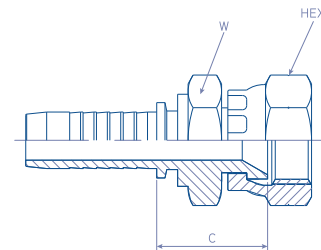
	hose	hose Ø	thread	d tube	C cut off	H	HEX
REFERENCE	dash	inch	inch	mm	mm	mm	mm
23.5593.0520	- 5	5/16"	M20 x 1.5	13.25	30.5	36.0	27
23.5593.0620	- 6	3/8"	M20 x 1.5	13.25	30.5	36.0	27
23.5593.0824	- 8	1/2"	M24 x 1.5	16.75	41.0	42.5	30
23.5593.1030	- 10	5/8"	M30 x 1.5	21.25	55.5	57.5	36
23.5593.1236	- 12	3/4"	M36 x 1.5	26.75	55.5	60.0	46
23.5593.1645	- 16	1"	M45 x 1.5	33.50	74.0	75.0	55

MATERIAL: Carbon Steel

FINISH: Chromium-(VI) Free plating / ROHS compliant

VERSIONS: Stainless Steel (add an 'S' at the end of the REFERENCE)

Female JIS 60° Cone Seat Swivel (TOYOTA)



23.3712.

JIS B8363

	hose	hose Ø	thread	d - tube	C cut off	W	HEX
REFERENCE	dash	inch	inch	mm	mm	mm	mm
23.3712.0404	-4	1/4"	1/4" - 19	21	19	19	19
23.3712.0606	-6	3/8"	3/8" - 19	22	22	19	19
23.3712.0808	-8	1/2"	1/2" - 14	25	27	22	22
23.3712.1212	-12	3/4"	3/4" - 14	28	32	30	30
23.3712.1616	-16	1"	1" - 11	33	38	32	32
23.3712.2020	-20	1.1/4"	1.1/4" - 11	35	50	46	46
23.3712.2424	-24	1.1/2"	1.1/2" - 11	28	55	50	50

MATERIAL: Carbon Steel

FINISH: Chromium-(VI) Free plating / ROHS compliant

VERSIONS: Stainless Steel (add an 'S' at the end of the REFERENCE)