



Balfit[®] JJ26 CODE 62 - 60° FLANGE Multicrimp Series One Piece - Skive - Hydraulic Hose Fitting

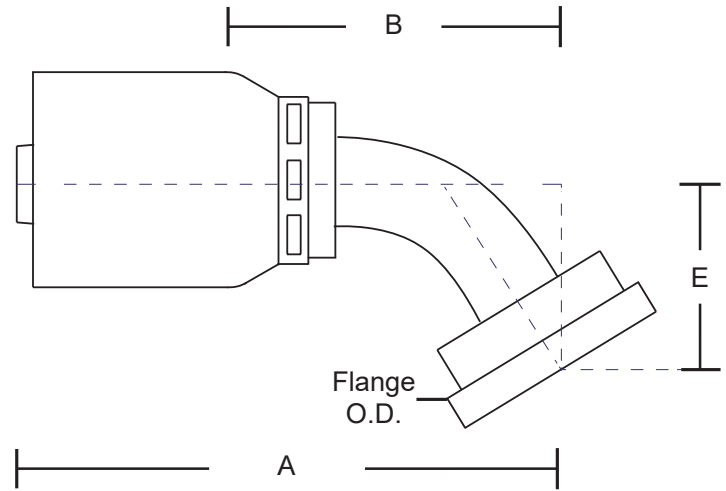
Skive: 4SH, 100R13, 100R15

CODE 62 - 45° FLANGE

- One Piece - Carbon Steel
- Trivalent Zinc Plated - RoHS compliant
- SAE J516 & J518 / ISO 6162 & ISO 12151-3

Balflex Hose Compatibility:

- BestFlex - Powerspir (4SH), 100R13 & 100R15



Balflex-USA		Code 62 Flange 60° - JJ26 Multicrimp Series					
PART NUMBER	Hose I.D.	Thread	A O.A.L	B Cut-Off	C Hex	D Hex	E
JJ2616-16PH60	1	47.75	147.00	91.50	-	-	46.25
JJ2616-20PH60	1	-	-	-	-	-	-
JJ2620-20PH60	1 1/4	54.00	176.50	121.25	-	-	58.00
JJ2620-24PH60	1 1/4	-	-	-	-	-	-

Construction characteristics and dimensions may be changed at anytime without prior notice

The data contained herein is for information purposes only and does not enlarge, amend or imply any warranty other than provided by the manufacturer with the product.

Any use of the product not in conformance with the manufacturer's instruction may be dangerous

Only items in this catalog are carried in stock. Some items are subject to minimum quantities or sold in multiples of standard quantities. Please refer to the price list or contact our commercial department. Prices subject to change without notice.

Balflex[®] - The European Technology

WWW.BALFLEXUSA.COM - (Ph) 713.928.6064 - (Fax) 713 928 6114 - (Email) sales@balflex.com