



# Balflex®

Since 1963



2016

Hydraulic Hose, Fittings,  
& Equipment Catalog

*Balflex® - The European Technology*

# Hose:

Wire Braid

Spiral

Textile Braid

Thermoplastic & PTFE

D.O.T. Approved

Industrial

## Table Of Contents

<u>Page</u> .....	<u>Product</u>
15 - 19.....	100R1AT / 1SN
19 - 24.....	100R2AT / 2SN
25 - 26.....	100R16
27 - 28.....	100R17
29.....	JACK HOSE (2-MAX JACK)
30.....	4SP
31.....	4SH
32.....	100R12
33.....	100R13
34.....	100R15
35.....	100R3
36.....	100R4
37.....	100R6
38 - 43.....	100R7
44 - 46.....	100R8
47 - 48.....	100R14
49 - 50.....	PAINT SPRAY
51.....	SEWER JET
52.....	MOISTURECHEM
53 - 54.....	JACK HOSE (SUPERJACK)
55.....	100R5
56.....	100R5R
57.....	TANK TRUCK HOSE

# Table Of Contents

Page.....Product

58.....*Flat HDPE Spring Guard*

66 - 99.....*BW23 Series*

100 - 108.....*JJ26 Series*

109 - 115.....*Ferrules*

118 - 169.....*23 Series*

170 - 192.....*24 Series*

193 - 210.....*26 Series*

211.....*CC1000 & CC650*

212.....*CC60 & CC4-50*

213.....*CC30 & CC200*

214.....*D105 & D165*

215.....*HS 150 & HS 500*

216.....*SM 300 HOSE SKIVER*

217.....*MANUAL & ELECTRONIC  
TEST BENCHES*

218.....*Hose Coil Dispensing  
Systems*

Hose Guards

*Fittings:*

1-Piece

2-Piece

*Equipment:*

Crimping Machines

Saws

Skivers

Test Benches

Hose Coil Dispenser

# Balflex® Hydraulic Hoses



The Best Name You Can Get In Hose

## The Balflex® Group

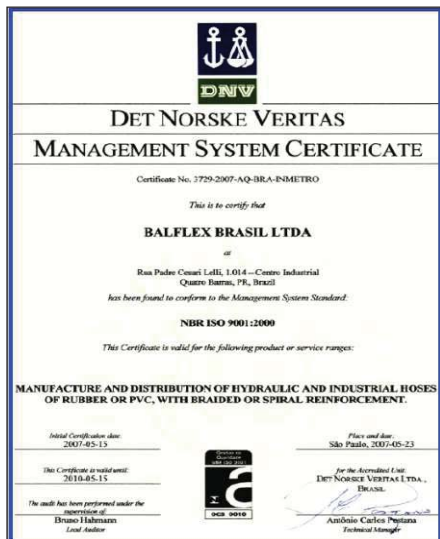
Established since 1963, **Balflex®** is an international group of companies dedicated to the design, production and distribution of all types of flexible hoses, fittings, connectors, adaptors, quick fitting and v-belts with a very high quality standard.



50 years of know-how and expertise in this field makes **Balflex®** the first choice for the mining, agriculture, offshore and construction industries. Today the **Balflex® Group** covers worldwide users through our own company's production facilities, strategically located warehouses and Balflex distributors.

## Quality

Quality is very important to us! We have fully equipped, modern laboratories and equipment, employing the industries most experienced personnel



**Balflex®** Has obtained various certifications for our Management Systems and Products.

This reliable and consistent approach has allowed us to achieve our ISO 9001 certification. At **Balflex** quality and service always comes first.



We are dedicated to continue the development of new products with a strong emphasis on quality

## Products

**Balflex®** produces one of the most comprehensive ranges of hoses, fittings, flanges, adaptors and quick connectors.



All **Balflex®** hydraulic hoses are produced to **Balflex's** stringent specifications and are according to **ISO 1436**, **SAE J517** and **EN 853** to **EN 857** standards.

They cover a wide variety of low to very high pressure applications in rubber, thermoplastic or P.T.F.E,



with textile or steel reinforcement for petroleum and water based hydraulic fluids.

**Balflex®** industrial hoses are produced to **Balflex®** specifications that comply with international standards. Covering a wide variety of applications, using the best grade of high quality polymers with synthetic fibers or steel wire reinforcements for a wide range of fluids and temperatures.

## Member of:



## Certified by:

U.S. Department of Labor



**Balflex® - The European Technology**



# Balflex® Hydraulic Hoses

The Best Name You Can Get In Hose

## Balflex® Hydraulic Hoses

**Balflex®** hydraulic hoses are produced to **Balflex®** specifications and according to **ISO 1436, ISO 3869, ISO 3949, SAE J517** and **EN 853** to **EN 857** standards. They cover a wide variety of low to very high-pressure applications, in rubber, thermoplastic or P.T.F.E, with textile and steel reinforcement, for petroleum and water base hydraulic fluids.



**Balflex®** optimized the production of these hoses and there compatibility with a wide range of connectors, in order to assure the highest level of performance and the most extensive range of applications.

The **Balflex®** hydraulic hose program includes:

- > Textile Braid Hydraulic Hoses
- > Wire Braid Hydraulic Hoses
- > 4 and 6 Spiral Hydraulic Hoses
- > Thermoplastic Hoses

### General Guidelines

**Balflex®** hydraulic hoses are designed with a safety factor of 4: 1 relating minimum burst pressure and recommended working pressure (except 2-MAX hose which is 2.3: 1). Working pressure and nominal diameter are always branded on the hose, except on hoses with external steel braid.

Hydraulic hoses are designed for petroleum base hydraulic fluids applications with a temperature range of  $-40^{\circ}\text{F}$  ( $-40^{\circ}\text{C}$ ) to  $+212^{\circ}\text{F}$  ( $+100^{\circ}\text{C}$ ). Special rubber compounds and other lining materials allow to exceed these limits. Hydraulic hoses may also be used for water base hydraulic fluids if the working temperature does not exceed  $+158^{\circ}\text{F}$  ( $+70^{\circ}\text{C}$ ). With the presence of air in the fluid working temperature should be reduced to  $+140^{\circ}\text{F}$  ( $+60^{\circ}\text{C}$ ).

Selection, assembly and installation of hydraulic hoses should follow **Balflex®** recommendations and **SAE J1273** and **DIN 20066** standards. **Hydraulic hose assemblies should always be inspected and hydraulically tested before installation.** All hydraulics systems should be tested against leakage and malfunction in an appropriate area after any intervention.

Installations that do not comply with an adequate geometry of the hose assembly may reduce significantly the lifetime of the hose. Likewise, the use of wrongly dimensioned hoses or application in a system where working characteristics exceed the hose specifications may shorten drastically the hose lifetime.

**The failure of any hydraulic hose assembly may be dangerous and expose people and property to irreversible damage.** Among other occurrences that must be prevented are the high velocity and high temperature projections of hydraulic fluid, the projection of fittings and it's parts, the whipping of unrestrained hose, spillage or combustion of the fluid, electrical shocks through contact with electrical sources, immovability, fall or sudden movement of masses controlled by the hydraulic system.

**Balflex® - The European Technology**

WWW.BALFLEXUSA.COM - (Ph) 713.928.6064 - (Fax) 713 928 6114 - (Email) sales@balflex.com



## Hydraulic Hose – General Safety Guidelines

*Maintenance technicians, fabricators, end-users and installers need to be aware of the potential safety hazards when handling or even when in proximity to hydraulic hose assemblies.*

*The following conditions can lead to personal injury and property damage:*

- 1)** *Always use hose in well-ventilated areas; some fluids may permeate the hose cover and create fumes and/or fire hazards.*
- 2)** *Hydraulic systems typically operate at very high pressures. Any leak of pressurized fluid can penetrate the skin, causing severe tissue damage and burns. One good approach is to use guards or shields around the hose assembly to reduce the risk of injury.*
- 3)** *Whipping – under high operating pressures, the hose and/or fitting can come loose or blow, causing the end of the hose to whip with great force. Again, the hose assembly should be shielded, guarded and, whenever possible, secured to avoid injury or damage from whipping.*
- 4)** *Hydraulic fluids are flammable and can explode with a source of ignition. To avoid possible injury or property damage, care should be taken to eliminate ignition sources and to properly route the hose assembly to minimize the chance of combustion.*
- 5)** *Most hose is conductive. Some applications require use of non-conductive hose to avoid electrocution.*
- 6)** *When hydraulic hose assemblies fail, the equipment it powers will fail too, sometimes abruptly and without warning. Never work directly beneath hydraulically powered booms, shovels or other large, heavy pieces of equipment.*
- 7)** *When air or gaseous materials are being conveyed, the correct hose should be used. A pin-perforated cover may be required. Perforations in the cover will prevent permeated gases from accumulating and blistering the cover. Check with your supplier for the correct hose specification.*
- 8)** *Extreme care should be used when operating hand-held hydraulic tools where the operator is in proximity to the hydraulic hose assembly. The following steps should be taken to avoid injury:*
  - a.** *Use strain relievers on each end of the hose to prevent kinking, excessive bending or stress on the hose at the fitting.*
  - b.** *Never use the hose assembly to pull or carry the tool.*
  - c.** *Exposed hose near the operator should be guarded in case hose assembly fails to prevent injury from high pressure or high temperature fluid.*
  - d.** *Operators should be protected with the required safety clothing for the job and fluids being used.*
  - e.** *The hose should be protected against any external damage.*
- 9)** *Hose assemblies should be properly routed to avoid strain and the possibility of the hose bursting. Proper routing will also protect the assembly against flex fatigue, excessive heat or abrasion.*
- 10)** *When selecting a hose style and assembly, check for hose compliance to all relevant government, industry, and safety standards or regulations.*



## HIGH-PRESSURE INJECTION HAZARDS

High-pressure injection injuries (also known as grease gun injuries), are caused by the accidental injection of a foreign material, such as grease, oil, or solvent under pressure, through the skin and into the underlying tissue. This is analogous to medical techniques used to administer immunization shots without a needle.

A grease gun injury can cause serious delayed soft tissue damage and should be treated as a surgical emergency. Any person sustaining an injury of this sort should seek immediate medical attention, regardless of the appearance of the wound or its size.

Accidents involving injection injuries can occur when using any type of pressurized equipment. Two common cases in which petroleum products may be involved are accidents with pressurized grease guns or with hydraulic systems.

**Pressurized grease guns** are commonly used in service stations, garages and industrial plants. Typically, most service stations have grease guns operating at 500-1.000 kPa (90-150 psi) air pressure. Most modern industrial hydraulic systems operate in the range of 13 to 35 MPa (2,000 to 5,000 psi). A stream of oil ejected from a nozzle or leak under pressure of this magnitude has a velocity comparable to the muzzle velocity of a rifle bullet.

The most common sites of injury are the fingers or hand. However, any part of the body can be involved. With grease guns, especially, accidents usually occur when the injured person wipes the tip of the nozzle with his finger or the nozzle slips off the grease fitting while being held in place.

Grease may also be injected into the body from a leak in the grease line. In **hydraulic system accidents**, a leak in a hydraulic line can emit a high-velocity stream of oil and cause injury if it strikes a person. Workers are commonly injured when they try to stop the leak by covering it with their hand or finger.

Chemical irritation is not a major problem with most petroleum products because hydraulic oils and greases are generally non-irritating and low toxicity to skin. However, the resulting bacterial infection can be a problem because of the damaged tissue and circulation in the wound, even though it has been surgically opened and the foreign material removed. One of the dangers from this type of injury is that it is not recognized quickly by the injured person as being serious. Often the initial wound may be very small and essentially painless. The injured person may even continue working. However, in every case in which a person receives this type of injury, he or she should stop work and get immediate medical treatment.

The following are some basic rules that must be observed:

### **DON'T**

- ✗ Play around with or use a grease gun for practical jokes;
- ✗ Touch the end of a grease gun;
- ✗ Use any part of the body to test a grease gun for grease flow;
- ✗ Use any part of the body to stop a leak in a hydraulic line.

### **DO**

- ✓ Routinely check all hoses for wear and possible weak spots;
- ✓ Handle a grease gun with respect for its power;
- ✓ Take special care when starting up a new hydraulic system to be sure that every part of the system can withstand the operating pressure.

**IN CASE OF A GREASE GUN ACCIDENT, SEEK IMMEDIATE MEDICAL TREATMENT.** Identify the grease or oil involved in the accident. Contact the supplier or the manufacturer to obtain the product's Material Safety Data Sheet (MSDS) about possible toxicity if a physician or hospital needs more information.



## HYDRAULIC HOSE AND ELECTROCUTION

Although it is a mercifully infrequent occurrence, workers have been burned or electrocuted when using metal-reinforced hoses on aerial bucket trucks near energized power lines. Hydraulic hose, fluid and power lines are a deadly combination. Electrical contact between two power line phases through a metal-reinforced hydraulic hose can generate sufficient heat to rupture the hose and cause a fire. In addition, an electrocution hazard can be created if a metal-reinforced hose on the boom of a truck contacts an energized power line and allows current to flow through the truck chassis. Either scenario can quickly result in serious injury or death.

OSHA standards require that all hydraulic tools used on or near energized power lines or equipment be supplied with non-conducting hoses with sufficient strength for normal operating pressures. NIOSH recommends that the following precautions be taken to control the hazards associated with hydraulic hoses used on aerial bucket trucks:

- Employers should not install metal-reinforced hydraulic hoses on any part of the boom, aerial bucket or hydraulic attachments of aerial bucket trucks used near energized power lines;
- Employers should remove any metal-reinforced hoses currently installed on any part of the boom, aerial bucket or hydraulic attachments of aerial bucket trucks used to work near energized power lines. Before work begins, employers should require a competent person to conduct an initial and daily job site survey and inspect all equipment to identify hazards and implement appropriate controls;
- Employers should stress the importance of adherence to established safe work procedures. These include covering energized power lines in the immediate work area with insulating hoses or blankets, or de-energizing and grounding the lines before work begins. Workers should test de-energized power lines to verify that they have actually been de-energized;
- Employers should provide all workers with task-specific training that shows how each step controls the identified hazard;
- Employers should install all hydraulic hoses used in aerial buckets so that the flow of hydraulic fluid can be stopped immediately by the worker in the bucket. This objective can be achieved by incorporating a control valve into the hydraulic system in the aerial bucket. Manufacturers should continue research into the development of hydraulic fluids that are non-flammable and non-conducting.
- Employers should encourage equipment and tool manufacturers to design an independent fitting system to prevent the use of unsuitable hydraulic hoses on booms, aerial buckets or aerial bucket attachments. Labelling or colour coding hoses may also help workers who service this equipment.

**These Guidelines reflect common practice procedures to be held for a Safe use of Hydraulic Fluid Power.**

**In no event shall Balflex<sup>®</sup> have any liability whatsoever to any person for any special, punitive, incidental or consequential damages been caused by mishandling of Hydraulic Fluid Power systems.**





# Balflex® Hydraulic Hoses

The Best Name You Can Get In Hose

Table 1a: Nominal working pressure at + 68°F (+ 20°C) of Balflex® hydraulic hoses

MPa / PSI

Balflex®	Standards	3/16" - 3	1/4" - 4	5/16" - 5	3/8" - 6	1/2" - 8	5/8" - 10	3/4" - 12	1" - 16	1.1/4" - 20	1.1/2" - 24	2" - 32
<b>2TE</b>	ISO 4079 - 2 EN 854 2TE	<u>8.0</u> 1160	<u>7.5</u> 1087	<u>6.8</u> 985	<u>6.3</u> 913	<u>5.8</u> 840	<u>5.0</u> 725	<u>4.5</u> 650	<u>4.0</u> 580			
<b>R3 / 3TE</b>	ISO 4079 - 3 EN 854 3TE SAE 100R3	<u>16.0</u> 2320	<u>14.5</u> 2100	<u>13.0</u> 1885	<u>11.0</u> 1595	<u>9.3</u> 1350	<u>8.0</u> 1160	<u>7.0</u> 1015	<u>5.5</u> 797	<u>4.5</u> 650	<u>4.0</u> 580	<u>3.3</u> 480
<b>R1T / 1SN</b>	ISO 1436 EN 853 type 1 SAE 100R1	<u>25.0</u> 3625	<u>22.5</u> 3260	<u>21.5</u> 3115	<u>18.0</u> 2610	<u>16.0</u> 2320	<u>13.0</u> 1885	<u>10.5</u> 1520	<u>8.8</u> 1275	<u>6.3</u> 910	<u>5.0</u> 725	<u>4.0</u> 580
<b>R2T / 2SN</b>	ISO 1436 EN 853 type 2 SAE 100R2	<u>41.5</u> 6015	<u>40.0</u> 5800	<u>35.0</u> 5075	<u>33.0</u> 4785	<u>27.5</u> 3985	<u>25.0</u> 3625	<u>21.5</u> 3120	<u>16.5</u> 2390	<u>12.5</u> 1810	<u>9.0</u> 1300	<u>8.0</u> 1160
<b>BALPAC PREMIUM 2SC-R16</b>	ISO 11237 EN 857 - 2SC SAE 100R16		<u>40.0</u> 5800	<u>35.0</u> 5075	<u>33.0</u> 4785	<u>27.6</u> 4000	<u>25.0</u> 3625	<u>21.5</u> 3118	<u>16.5</u> 2393			
<b>BALPAC 3000 R17</b>	ISO 11237 EN 857 SAE 100R17		<u>22.5</u> 3260	<u>21.0</u> 3000	<u>21.0</u> 3000	<u>21.0</u> 3000	<u>25.0</u> 3625	<u>21.5</u> 3120	<u>21.0</u> 3000			
<b>R12</b>	ISO 3862 EN 856 R12 SAE 100R12				<u>27.6</u> 4000	<u>27.6</u> 4000	<u>27.6</u> 4000	<u>27.6</u> 4000	<u>27.6</u> 4000	<u>20.7</u> 3000	<u>17.2</u> 2500	<u>17.2</u> 2500
<b>4SP</b>	ISO 3862 EN 856 4SP		<u>45.0</u> 6500		<u>44.5</u> 6450	<u>41.5</u> 6000	<u>35.0</u> 5050	<u>38.0</u> 5510	<u>32.0</u> 4640	<u>21.0</u> 3045	<u>21.0</u> 3045	<u>17.5</u> 2540
<b>4SH</b>	ISO 3862 EN 856 4SH							<u>42.0</u> 6090	<u>38.0</u> 5510	<u>32.5</u> 4713	<u>30.0</u> 4350	<u>25.0</u> 3600
<b>R13</b>	ISO 3862 EN 856 R13 SAE 100R13							<u>42.0</u> 6090	<u>38.5</u> 5585	<u>35.0</u> 5075	<u>34.5</u> 5000	<u>34.5</u> 5000
<b>R15</b>	ISO 3862 SAE 100R15				<u>42.0</u> 6090	<u>42.0</u> 6090		<u>42.0</u> 6090	<u>42.0</u> 6090	<u>42.0</u> 6090	<u>42.0</u> 6090	
<b>2-MAX JACK</b>	a)		<u>70.0</u> 10000		<u>70.0</u> 10000	<u>55.2</u> 8000						
<b>3-MAX</b>	a)				<u>50.0</u> 7200	<u>47.0</u> 6800						

a) according to Balflex® specifications

b) not included in the standards

**Balflex® - The European Technology**



The Best Name You Can Get In Hose

**Table 1b: Nominal working pressure at + 68°F (+ 20°C) of Balflex® hydraulic hoses** MPa / PSI

		3/16"	1/4"	5/16"	13/32"	1/2"	5/8"	7/8"	1.1/8"	1.3/8"	1.13/16"	2.3/8"	3"
		- 4	- 5	- 6	- 8	- 10	- 12	- 16	- 20	- 24	- 32	- 40	- 48
Balflex®	Standards												
R5	SAE 100R5 SAE J1402 All	$\frac{20.7}{3000}$	$\frac{20.7}{3000}$	$\frac{15.5}{2250}$	$\frac{13.8}{2000}$	$\frac{12.1}{1755}$	$\frac{10.3}{1495}$	$\frac{5.5}{800}$	$\frac{4.3}{625}$	$\frac{3.4}{500}$	$\frac{2.4}{350}$	$\frac{2.4}{350}$	$\frac{1.4}{200}$

**Table 1c: Nominal working pressure at + 68°F (+ 20°C) of Balflex® hydraulic hoses** MPa / PSI

		1/8"	3/16"	1/4"	5/16"	3/8"	1/2"	5/8"	3/4"	1"
		- 2	- 3	- 4	- 5	- 6	- 8	- 10	- 12	- 16
Balflex®	Standards									
R7	ISO 3949 EN 855 R7 SAE 100R7	(b) $\frac{28.0}{4060}$	$\frac{21.0}{3045}$	$\frac{19.0}{2755}$	$\frac{19.0}{2755}$	$\frac{16.0}{2320}$	$\frac{14.0}{2030}$	$\frac{10.5}{1523}$	$\frac{9.0}{1305}$	$\frac{7.0}{1015}$
R7 NON CONDUCTIVE	ISO 3949 EN 855 R7 SAE 100R7	(b) $\frac{28.0}{4060}$	$\frac{21.0}{3045}$	$\frac{19.0}{2755}$	$\frac{19.0}{2755}$	$\frac{16.0}{2320}$	$\frac{14.0}{2030}$	$\frac{10.5}{1523}$	$\frac{9.0}{1305}$	$\frac{7.0}{1015}$
R7 STEELFLEX	a)	$\frac{35.0}{5075}$	$\frac{30.0}{4350}$	$\frac{27.5}{3988}$	$\frac{24.0}{3480}$	$\frac{22.0}{3190}$	$\frac{17.5}{2538}$	$\frac{14.0}{2030}$	$\frac{11.5}{1668}$	$\frac{10.0}{1450}$
R8 (10.1032.)	ISO 3949 EN 855 R8 SAE 100R8		$\frac{35.0}{5075}$	$\frac{35.0}{5075}$	$\frac{29.0}{4205}$	$\frac{28.0}{4060}$	$\frac{24.5}{3553}$	$\frac{19.0}{2755}$	$\frac{15.5}{2250}$	$\frac{14.0}{2030}$
R8 (10.1033.)	ISO 3949 EN 855 R8 SAE 100R8		$\frac{35.0}{5075}$	$\frac{35.0}{5075}$	$\frac{30.0}{4350}$	$\frac{28.0}{4060}$	$\frac{24.5}{3553}$	$\frac{20.0}{2900}$	$\frac{16.5}{2393}$	$\frac{14.0}{2030}$
ULTRAFLEX R9	a)					$\frac{38.0}{5510}$	$\frac{34.5}{5000}$			

a) according to Balflex® specifications  
b) not included in the standards

**Table 1d: Nominal working pressure at + 68°F (+ 20°C) of Balflex® hydraulic hoses** MPa / PSI

		3/16"	1/4"	5/16"	3/8"	1/2"	5/8"	3/4"	7/8"	1"
		- 3	- 4	- 5	- 6	- 8	- 10	- 12	- 14	- 16
Balflex®	Standards									
R6 / 1TE	ISO 4079 - 1 EN 854 1TE SAE 100R6	$\frac{3.4}{500}$	$\frac{2.8}{400}$	$\frac{2.8}{400}$	$\frac{2.8}{400}$	$\frac{2.8}{400}$	$\frac{2.4}{350}$	$\frac{2.1}{300}$	$\frac{2.2}{310}$	$\frac{1.7}{250}$

**Balflex® - The European Technology**



# Balflex® Hydraulic Hoses

The Best Name You Can Get In Hose

**Table 2: Pressure Conversion**

<b>bar</b>	0,00134	0,0025	0,0339	0,069	0,098	<b>1,00</b>	1,01	10,0	100
<b>PSI</b>	0,0194	0,036	0,492	<b>1,001</b>	1,421	14,504	14,69	145,04	1450,38
<b>MPa</b>	-	-	0,003	0,007	0,0098	0,10	0,101	<b>1,00</b>	10,00
<b>1 atm</b>	0,001	0,0025	0,0335	0,068	0,097	0,987	<b>1,00</b>	9,87	98,69
<b>m H<sub>2</sub>O (20°C)</b>	0,014	0,026	0,346	0,704	<b>1,000</b>	10,207	10,34	102,074	1020,736
<b>in Hg (20°C)</b>	0,0396	0,074	<b>1,001</b>	2,04	2,89	29,53	29,91	295,30	2953
<b>in H<sub>2</sub>O (20°C)</b>	0,538	<b>1,005</b>	13,623	27,73	39,38	401,86	407,09	4018,65	40186,47
<b>mm Hg (20°C)</b>	<b>1,005</b>	1,88	25,43	51,75	73,51	750,06	759,81	7500,62	75006,17

Example: 1 MPa = 145,04 PSI ; 1Mpa = 10,0bar

**Table 3: Conversion Factors**

Unit	Factor	Converted Unit
1 m (meter)	1000	mm (millimeter)
1 m (meter)	1,09362	yard
1 m (meter)	3,28084	foot
1 mm (millimeter)	0,001	m (meter)
1 mm (millimeter)	0,03937	Inch
1 inch	25,4	mm (millimeter)
1 inch	0,0254	m (meter)
1 foot	0,3048	m (meter)
1 yard	0,9144	m (meter)
F°	C° x 1,8 + 32	F° (Fahrenheit)
C°	(F° - 32): 1,8	C° (Celsius)

Example: 1 m = 3,28084 feet ; 1 inch = 25,4mm

Example: + 100°C = + 212°F

**Balflex® - The European Technology**

WWW.BALFLEXUSA.COM - (Ph) 713.928.6064 - (Fax) 713 928 6114 - (Email) sales@balflex.com



## Selection of hydraulic hoses

### Working pressure:

When selecting a hose it should be considered that its working pressure should be higher than the maximum operating pressure of the system. For determination of the maximum operating pressure the system engineer should always consider possible pressure peaks during start up and inversion. Pressure peaks may be so short that they are only measurable with electronic devices. In suction applications, the capacity of the hose to withstand negative pressure is a decisive factor. Working pressures are given for working temperature of + 68°F (+ 20°C). For increased temperatures a de-rating factor should be considered. The rated working pressures of Balflex® hydraulic hoses are summarized in table 1.

Note: Only an accurate knowledge of the pressure history of the service cycles of the equipment should lead to a sub-dimensioning of the hose by the engineer, bearing in mind the recommendations of SAE J 1927 standards.

### Temperature:

Excessive temperature is one of the main limitations of rubber and induces accelerated aging. Fluid temperature, either in motion or with the equipment stopped, should not exceed the maximum working temperature recommended for each hose. Likewise, surrounding temperature should be considered, specially when resulting from heat sources in the proximity of the hose assembly.

### Fluid compatibility:

Fluid compatibility with the hose and the fitting should be verified. Fluids that chemically attack the hose can lead to the contamination and obstruction of the hydraulic system and to premature failure of the hose. Handling gases requires special attention. As an orientation, the Balflex® Hydraulic Hose Fluid Compatibility Chart gives a classification of compatibility with some fluids. Consult Balflex® for compatibility of other fluids and rubber compounds. Whenever in doubt test before application.

### Dimensioning:

Dimensioning of all components should guarantee that pressure loss is kept at a minimum, in order not to reduce power transmission and to avoid overheating or turbulence of the fluid that might lead to deterioration of the lining.

### Assembly geometry:

Installation should guarantee that the minimum bend radius of the hose is respected and that bending occurs only in one plane. Hose length may suffer a variation between - 4% and + 2%, when submitted to pressure. The assembly length should provide enough margin for this change in length. Torsion and traction of the assembly must be avoided and protection and restraint of the assembly should be considered if there are obstacles to avoid. Mechanical loads acting on the assembly, including vibration, should be kept at a minimum. Free swivelling connectors should be used whenever torsion is present. Whenever hose failure may result in whipping (for example in gas applications) restraint through a steel cable to the connecting parts should be considered. When connecting a moving part, the free movement of the assembly without touching any surface should be assured. Minimize the risks of bodily injury and equipment damage through spillage or fluid ejection when positioning of the assembly. Table 4 shows some correct and incorrect installation situations.

### Environmental compatibility:

The hose and fittings compatibility with the working environment factors, as temperature, fire hazard, UV light, ozone, chemicals and electrical charges should be considered. External protection sleeves require an adequate assembly.

### Air and Gaseous applications:

Hose assemblies that are to be used in air and other gaseous applications should be pin-pricked, through the cover, prior to use.

These micro perforations allow gas that has permeated the inner tube of the hose to escape into the atmosphere. This prevents gases from accumulating and blistering the hose cover.



# Balflex® Hydraulic Hoses

The Best Name You Can Get In Hose

Electrical conductivity:

Electrical conductivity,

To minimize the risk of Explosion or Electrocutation from electrical discharge through the assembly due to static electricity build up or non-conductivity. **Whenever the hose is not unequivocally branded either non-conductive or anti-static, its electrical characteristics should always be considered as not controlled.**

Permeability:

All hoses present a certain degree of permeability, especially with gases and highly volatile liquids. The designer should consider the possibility that this permeability results in system or environment contamination.

Abrasion:

Accelerated external abrasion, through contact in motion or exposure to projected particles drastically reduces hose life and leads to premature failure through exposure of the reinforcement. For special applications Balflex® recommends hoses with special abrasion resistant rubber compounds or protection through adequate sleeves.

Fittings selection:

Fittings are a fundamental part of the geometry of hose assemblies. The compatibility of sealing and securement of the fittings to the system ports should be verified. The recommended fitting series for each hose should be used and the assembly instructions carefully followed. Inadequate fittings may damage the hose and lead to a premature failure.

Table 4: Examples of installation of hoses assemblies

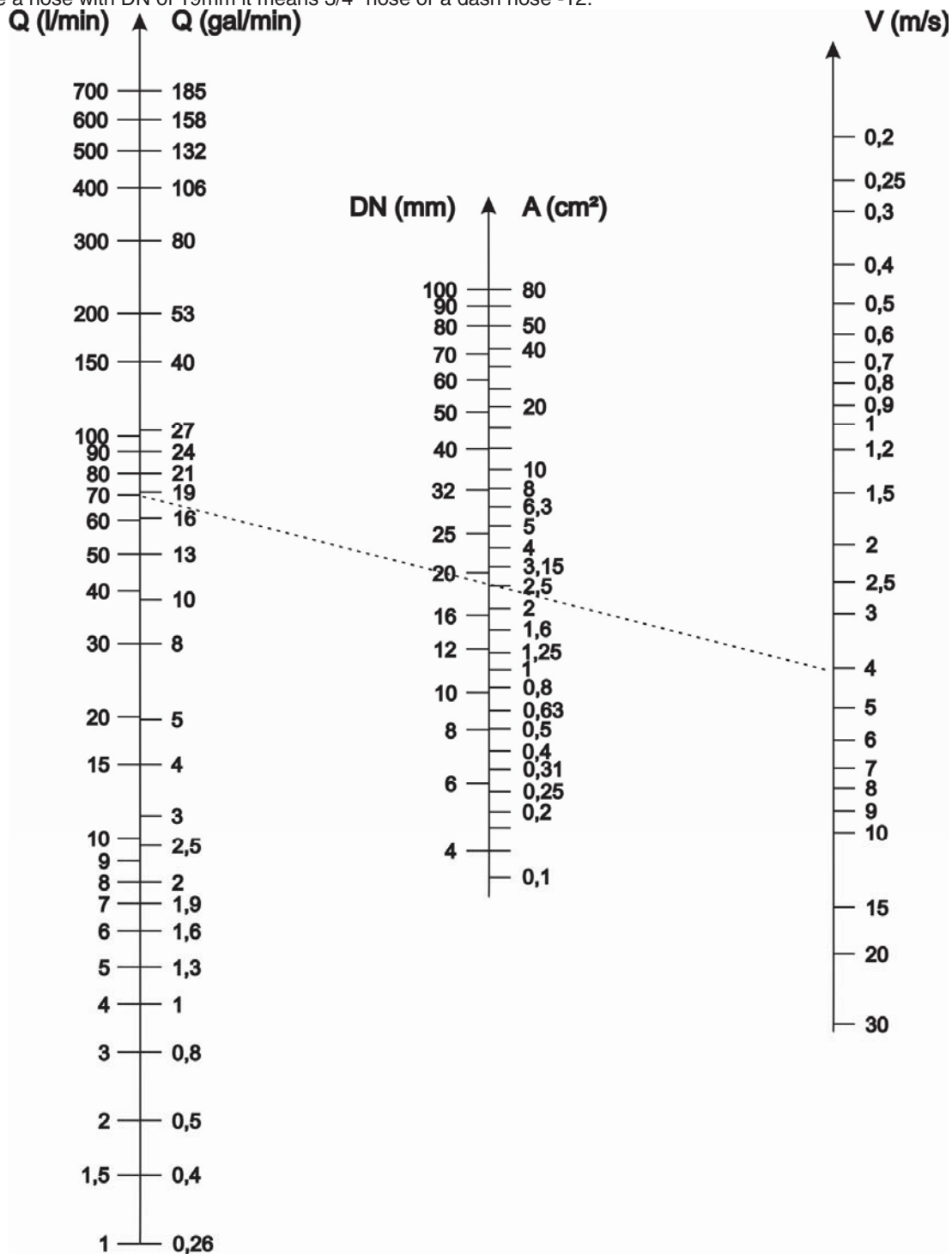
<b>Incorrect</b> 	<b>Correct</b> 	<b>Incorrect</b> 	<b>Correct</b> 
<b>Incorrect</b> 	<b>Correct</b> 	<b>Incorrect</b> 	<b>Correct</b> 
<b>Incorrect</b> 	<b>Correct</b> 		

Balflex® - The European Technology



## Balflex<sup>®</sup> Hose Selection Chart

This graphic helps finding the Nominal Hose Diameter-DN (mm) or the Dash Size. Firstly, one must know the Flow Rate and Fluid Velocity values that are being used. These two pieces of information must be found in the outer graphic lines. Then by linking these two values with a straight line, one should obtain the Nominal Hose Diameter-DN (mm) or the Gauge Diameter-A (cm<sup>2</sup>). The example below shows that for a fluid velocity of 4 meters per second and a flow rate of 70 liters per minute or 19 gallons per minute, one should choose a hose with DN of 19mm it means 3/4" hose or a dash hose -12.





# Balflex® Hydraulic Hoses

The Best Name You Can Get In Hose

## FLUID COMPATIBILITY AND RESISTANCE CHART



RECOMMENDED



RECOMMENDED WITH  
RESTRICTIONS



NOT RECOMMENDED

Fluids	Hose Types			
	SAE 100R6 / DIN 1TE DIN 2TE SAE 100R3 / DIN 3TE SAE 100R1AT / DIN 1SN SAE 100R2AT / DIN 2SN SAE 100R17 DIN EN 857 1SC DIN EN 857 2SC SAE 100R5 2-MAX JACK 3-MAX	SAE 100R12 DIN EN 856 4SP DIN EN 856 4SH SAE 100R13 SAE 100R15	SAE 100R7 R7 NON CONDUCTIVE SAE 1007 STEELFLEX SAE 100R8	BALFLON
Acetic Acid				
Acetic Acid (30%)				
Acetone				
Acetylene				
Ammonia, Gas (Hot)				
Ammonia, Liquid				
Ammoniumchloride				
Amyl Acetate				
Aniline				
Animal Oils				
Benzol / Benzene				
Butane				
Butyl Acetate				
Butyl Alcohol / Butanol				
Calcium Chloride Solutions				
Carbon Dioxide				
Carbon Disulfide				
Carbonates				
Caustic Soda				
Chlorinated Solvents				
Chlorine				
Chloroform				

*These chart informations are based on Balflex® knowledge and experience and is intended as a guide and not as a guarantee. We cannot assure the perfect performance of the hoses as that depends on many factors as working pressure, pressure picks, fluid, ambient temperature, fluid temperature, concentration, duration of exposure, etc...*

**Balflex® - The European Technology**



The Best Name You Can Get In Hose

## FLUID COMPATIBILITY AND RESISTANCE CHART



Fluids	Hose Types			
	SAE 100R6 / DIN 1TE DIN 2TE SAE 100R3 / DIN 3TE SAE 100R1AT / DIN 1SN SAE 100R2AT / DIN 2SN SAE 100R17 DIN EN 857 1SC DIN EN 857 2SC SAE 100R5 2-MAX JACK 3-MAX	SAE 100R12 DIN EN 856 4SP DIN EN 856 4SH SAE 100R13 SAE 100R15	SAE 100R7 R7 NON CONDUCTIVE SAE 1007 STEELFLEX SAE 100R8	BALFLON
Citric and Solutions				
Compressed Air				
Cyclohexane				
Crude Petroleum Oil				
Diocetyl Phthalate				
Diesel Fuel				
Ethers				
Ethyl Acetate				
Ethyl Alcohol				
Ethyl Chloride				
Ethyl Glycol				
Ethyleneoxide				
Fluorine				
Formaldehyde				
Formaldehyde 40%				
Fuel Oil				
Gaseous Hydrogen				
Gasoline				
Glycerin / Glycerol				
Glycol to 66° C				
Hexane				
Hydraulic Oil				

*These chart informations are based on Balflex® knowledge and experience and is intended as a guide and not as a guarantee. We cannot assure the perfect performance of the hoses as that depends on many factors as working pressure, pressure picks, fluid, ambient temperature, fluid temperature, concentration, duration of exposure, etc...*





# Balflex<sup>®</sup> Hydraulic Hoses

The Best Name You Can Get In Hose

## FLUID COMPATIBILITY AND RESISTANCE CHART



Fluids	Hose Types			
	SAE 100R6 / DIN 1TE DIN 2TE SAE 100R3 / DIN 3TE SAE 100R1AT / DIN 1SN SAE 100R2AT / DIN 2SN SAE 100R17 DIN EN 857 1SC DIN EN 857 2SC SAE 100R5 2-MAX JACK 3-MAX	SAE 100R12 DIN EN 856 4SP DIN EN 856 4SH SAE 100R13 SAE 100R15	SAE 100R7 R7 NON CONDUCTIVE SAE 1007 STEELFLEX SAE 100R8	BALFLON
Hydrochloric Acid 37%				
Hydroger Peroxide (Dil.)				
Hydroger Peroxide (Conc.)				
Isocyanates				
Isopropil Alcohol				
Kerosene				
Liquid Oxygen				
LPG				
Lubricating Oils				
Mercury				
Methyl Alcohol / Methanol				
Methyl Chloride (Cold)				
Methyl Ethyl Khetone				
Mineral Oils				
Naphtha				
Naphthalene				
Natural Gas				
Nitric Acid (Dil.)				
Nitric Acid (Conc.)				
Nitrobenzen				
Oil of Turpentine				
Oleic Acid				

*These chart informations are based on Balflex<sup>®</sup> knowledgement and experience and is intended as a guide and not as a guarantee. We cannot assure the perfect performance of the hoses as that depends on many factors as working pressure, pressure picks, fluid, ambient temperature, fluid temperature, concentration, duration of exposure, etc...*

**Balflex<sup>®</sup> - The European Technology**



The Best Name You Can Get In Hose

## FLUID COMPATIBILITY AND RESISTANCE CHART



Fluids	Hose Types			
	SAE 100R6 / DIN 1TE DIN 2TE SAE 100R3 / DIN 3TE SAE 100R1AT / DIN 1SN SAE 100R2AT / DIN 2SN SAE 100R17 DIN EN 857 1SC DIN EN 857 2SC SAE 100R5 2-MAX JACK 3-MAX	SAE 100R12 DIN EN 856 4SP DIN EN 856 4SH SAE 100R13 SAE 100R15	SAE 100R7 R7 NON CONDUCTIVE SAE 1007 STEELFLEX SAE 100R8	BALFLON
Oxalic Acid				
Perchloroethylene				
Phenol				
Phosphoric Acid (10%)				
Phosphoric Acid (70%)				
Phosphate Ester Base Oil				
Saturated Steam				
Sea Water				
Silicone Oils				
Soap Solutions				
Soda				
Sodium Chloride Solutions				
Sodium Hydroxide 20%				
Sodium Hypochloride 10%				
Sulphur				
Sulphur Dioxide				
Sulphuric Acid up to 50%				
Sulphuric Acid above 50%				
Toluene				
Trichloroethylene				
Vegetable Greases				
Water				
Xylene				

**These chart informations are based on Balflex<sup>®</sup> knowledgement and experience and is intended as a guide and not as a guarantee. We cannot assure the perfect performance of the hoses as that depends on many factors as working pressure, pressure picks, fluid, ambient temperature, fluid temperature, concentration, duration of exposure, etc...**



# Balflex® FORZA UNO – SAE 100R1AT - DIN EN 853 1SN

The Best Name You Can Get In Hose

## Balflex® DIN EN 853 1SN / SAE 100R1AT – 10.1002.

According to ISO 1436 / DIN EN 853 type 1SN / SAE J517 type SAE 100R1 AT

### High pressure, single steel braid reinforced hydraulic hose



<b>Inner tube:</b>	seamless oil resistant synthetic rubber
<b>Reinforcement:</b>	1 high tensile steel wire braid
<b>Outer tube:</b>	black, oil, weather and abrasion resistant synthetic rubber
<b>Safety factor:</b>	4: 1
<b>Application:</b>	petroleum base hydraulic fluids
<b>Temperature range:</b>	- 40°C (- 40°F) + 100°C (+ 212°F); Intermittent service: + 120°C (+ 248°F) Max. temperature recommended for water base hydraulic fluids: + 70°C (+ 158°F) Max. temperature recommended for air: + 60°C (+ 140°F)
<b>Fittings:</b>	Balflex® Multicrimp BW23 series -or- 23 series stems with 20 series ferrules.

part number	Ø nom.	dash size	Ø internal		Ø external		working pressure		min. burst pressure		min. bend radius		weight
			mm	inch	mm	inch	MPa	PSI	MPa	PSI	mm	inch	
R1AT-03	3/16"	- 3	4,8	0.19	11,6	0.46	25.0	3625	100.0	14500	89	3.5	0.155
R1AT-04	1/4"	- 4	6,3	0.25	13,0	0.51	22.5	3260	90.0	13040	100	3.9	0.175
R1AT-05	5/16"	- 5	8,0	0.31	14,8	0.58	21.5	3115	85.0	12460	114	4.5	0.202
R1AT-06	3/8"	- 6	9,5	0.38	17,0	0.67	18.0	2610	72.0	10440	127	5.0	0.242
R1AT-08	1/2"	- 8	12,7	0.50	20,1	0.79	16.0	2320	64.0	9280	178	7.0	0.309
R1AT-10	5/8"	- 10	16,0	0.63	23,5	0.93	13.0	1885	52.0	7540	200	7.9	0.376
R1AT-12	3/4"	- 12	19,0	0.75	27,5	1.08	10.5	1520	42.0	6080	240	9.4	0.497
R1AT-16	1"	- 16	25,4	1.00	35,7	1.41	8.8	1275	35.0	5100	300	11.8	0.712
R1AT-20	1.1/4"	- 20	32,0	1.25	43,7	1.72	6.3	910	25.0	3640	419	16.5	0.914
R1AT-24	1.1/2"	- 24	38,0	1.50	50,8	2.00	5.0	725	20.0	2900	500	19.7	1.109
R1AT-32	2"	- 32	50,8	2.00	64,3	2.53	4.0	580	16.0	2320	630	24.8	1.378
R1AT-40	2.1/2"	- 40	63,5	2.50	79,0	3.11	3.0	435	12.0	1740	760	30.4	1.942
R1AT-48	3"	- 48	76,2	3.00	92,0	3.62	2.0	290	8.0	1160	900	36.0	2.305

Note: Sizes - 40 (2.1/2") and - 48 (3") not included in the standards.

Balflex® hydraulic hose **DIN EN 853 1SN / SAE 100R1AT** has a very superior working and burst pressure compared with only **SAE 100R1AT**

COVER: U.S. MSHA APPROVED

#### Construction characteristics and dimensions may be changed at anytime without prior notice

The data contained herein is for information purposes only and does not enlarge, amend or imply any warranty other than provided by the manufacturer with the product.

Any use of the product not in conformance with the manufacturer's instruction may be dangerous

Only items in this catalog are carried in stock. Some items are subject to minimum quantities or sold in multiples of standard quantities. Please refer to the price list or contact our commercial department. Prices subject to change without notice.



## SHARK SKIN

The Best Name You Can Get In Hose

### Balflex® DIN EN 853 1SN / SAE 100R1AT SMOOTH COVER – 10.10S2.

According to ISO 1436 / DIN EN 853 type 1SN / SAE J517 type SAE 100R1 AT

## SHARK SKIN - SMOOTH COVER

High pressure, smooth cover, single steel braid reinforced hydraulic hose



<b>Inner tube:</b>	seamless oil resistant synthetic rubber
<b>Reinforcement:</b>	1 high tensile steel wire braid
<b>Outer tube:</b>	black, oil, weather and abrasion smooth resistant synthetic rubber
<b>Safety factor:</b>	4: 1
<b>Application:</b>	petroleum base hydraulic fluids
<b>Temperature range:</b>	- 40°C (- 40°F) + 100°C (+ 212°F); Intermittent service: + 120°C (+ 248°F) Max. temperature recommended for water base hydraulic fluids: + 70°C (+ 158°F) Max. temperature recommended for air: + 60°C (+ 140°F)
<b>Fittings:</b>	Balflex® Multicrimp BW23 series -or- 23 series stems with 20 series ferrules.

part number	Ø nom.	dash size	Ø internal		Ø external		working pressure		min. burst pressure		min. bend radius		weight
			mm	inch	mm	inch	MPa	PSI	MPa	PSI	mm	inch	
R1AT-04-SC	1/4"	- 4	6,3	0.25	13,0	0.51	22.5	3260	90.0	13040	100	3.9	0.175
R1AT-05-SC	5/16"	- 5	8,0	0.31	14,8	0.58	21.5	3115	85.0	12460	114	4.5	0.202
R1AT-06-SC	3/8"	- 6	9,5	0.38	17,0	0.67	18.0	2610	72.0	10440	127	5.0	0.242
R1AT-08-SC	1/2"	- 8	12,7	0.50	20,1	0.79	16.0	2320	64.0	9280	178	7.0	0.309
R1AT-10-SC	5/8"	- 10	16,0	0.63	23,5	0.93	13.0	1885	52.0	7540	200	7.9	0.376
R1AT-12-SC	3/4"	- 12	19,0	0.75	27,5	1.08	10.5	1520	42.0	6080	240	9.4	0.497
R1AT-16-SC	1"	- 16	25,4	1.00	35,7	1.41	8.8	1275	35.0	5100	300	11.8	0.712

Note: usually not available in stock, only by order.

Balflex® hydraulic hose DIN EN 853 1SN / SAE 100R1AT has a very superior working and burst pressure compared with only SAE 100R1AT

COVER: U.S. MSHA APPROVED

#### Construction characteristics and dimensions may be changed at anytime without prior notice

The data contained herein is for information purposes only and does not enlarge, amend or imply any warranty other than provided by the manufacturer with the product.

Any use of the product not in conformance with the manufacturer's instruction may be dangerous

Only items in this catalog are carried in stock. Some items are subject to minimum quantities or sold in multiples of standard quantities. Please refer to the price list or contact our commercial department. Prices subject to change without notice.



# Balflex® FORZA UNO ARTIC 1 SAE 100R1AT - DIN EN 853 1SN

The Best Name You Can Get In Hose

## Balflex® ARTIC 1 DIN EN 853 1SN / SAE 100R1AT – 10.1002.--LT

According to ISO 1436 / DIN EN 853 type 1SN / SAE J517 type SAE 100R1 AT

**High pressure, single steel braid reinforced hydraulic hose**

## LOW TEMPERATURE - 60°C (- 76°F)



<b>Inner tube:</b>	seamless oil resistant synthetic rubber resistant to low temperature
<b>Reinforcement:</b>	1 high tensile steel wire braid
<b>Outer tube:</b>	black, oil, weather and abrasion resistant synthetic rubber
<b>Safety factor:</b>	4: 1
<b>Application:</b>	petroleum base hydraulic fluids
<b>Temperature range:</b>	- 60°C (- 76°F) + 100°C (+ 212°F) Max. temperature recommended for water base hydraulic fluids: + 70°C (+ 158°F) Max. temperature recommended for air: + 60°C (+ 140°F)
<b>Fittings:</b>	Balflex® Multicrimp BW23 series -or- 23 series stems with 20 series ferrules.

part number	Ø nom.	dash size	Ø internal		Ø external		working pressure		min. burst pressure		min. bend radius		weight
			mm	inch	mm	inch	MPa	PSI	MPa	PSI	mm	inch	
R1AT-03-LT	3/16"	- 3	4,8	0.19	11,6	0.46	25.0	3625	100.0	14500	89	3.5	0.155
R1AT-04-LT	1/4"	- 4	6,3	0.25	13,0	0.51	22.5	3260	90.0	13040	100	3.9	0.175
R1AT-05-LT	5/16"	- 5	8,0	0.31	14,8	0.58	21.5	3115	85.0	12460	114	4.5	0.202
R1AT-06-LT	3/8"	- 6	9,5	0.38	17,0	0.67	18.0	2610	72.0	10440	127	5.0	0.242
R1AT-08-LT	1/2"	- 8	12,7	0.50	20,1	0.79	16.0	2320	64.0	9280	178	7.0	0.309
R1AT-10-LT	5/8"	- 10	16,0	0.63	23,5	0.93	13.0	1885	52.0	7540	200	7.9	0.376
R1AT-12-LT	3/4"	- 12	19,0	0.75	27,5	1.08	10.5	1520	42.0	6080	240	9.4	0.497
R1AT-16-LT	1"	- 16	25,4	1.00	35,7	1.41	8.8	1275	35.0	5100	300	11.8	0.712
R1AT-20-LT	1.1/4"	- 20	32,0	1.25	43,7	1.72	6.3	910	25.0	3640	419	16.5	0.914
R1AT-24-LT	1.1/2"	- 24	38,0	1.50	50,8	2,00	5.0	725	20.0	2900	500	19.7	1.109
R1AT-32-LT	2"	- 32	50,8	2.00	64,3	2.53	4.0	580	16.0	2320	630	24.8	1.378

**Balflex®** hydraulic hose **DIN EN 853 1SN / SAE 100R1AT** has a very superior working and burst pressure compared with only **SAE 100R1AT**

**COVER: U.S. MSHA APPROVED**

**Construction characteristics and dimensions may be changed at anytime without prior notice**

The data contained herein is for information purposes only and does not enlarge, amend or imply any warranty other than provided by the manufacturer with the product.

Any use of the product not in conformance with the manufacturer's instruction may be dangerous

Only items in this catalog are carried in stock. Some items are subject to minimum quantities or sold in multiples of standard quantities. Please refer to the price list or contact our commercial department. Prices subject to change without notice.

# Balflex® FORZA UNO - TROPIC 1 SAE 100R1AT - DIN EN 853 1SN



The Best Name You Can Get In Hose

## Balflex® TROPIC 1 DIN EN 853 1SN / SAE 100R1AT – 10.1002.--HT

According to ISO 1436 / DIN EN 853 type 1SN / SAE J517 type SAE 100R1 AT

**High pressure, single steel braid reinforced hydraulic hose**

## HIGH TEMPERATURE

**+ 150°C (+ 302°F) intermittent service + 135°C (+ 275°F) continuous service**



<b>Inner tube:</b>	seamless oil resistant synthetic rubber resistant to high temperature
<b>Reinforcement:</b>	1 high tensile steel wire braid
<b>Outer tube:</b>	pin-pricked blue, oil, weather and abrasion resistant synthetic rubber
<b>Safety factor:</b>	4: 1
<b>Application:</b>	petroleum base hydraulic fluids
<b>Temperature range:</b>	intermittent: - 40°C (- 40°F) + 150°C (+ 302°F); continuous service: + 125°C (+ 257°F) Max. temperature recommended for water base hydraulic fluids: + 120°C (+ 248°F) Max. temperature recommended for air: + 135°C (+ 275°F)
<b>Fittings:</b>	Balflex® Multicrimp BW23 series -or- 23 series stems with 20 series ferrules.

part number	Ø nom.	dash size	Ø internal		Ø external		working pressure		min. burst pressure		min. bend radius		Weight
			mm	inch	mm	inch	MPa	PSI	MPa	PSI	mm	inch	
R1AT-03-HT	3/16"	- 3	4,8	0.19	11,6	0.46	25.0	3625	100.0	14500	89	3.5	0.155
R1AT-04-HT	1/4"	- 4	6,3	0.25	13,0	0.51	22.5	3260	90.0	13040	100	3.9	0.175
R1AT-05-HT	5/16"	- 5	8,0	0.31	14,8	0.58	21.5	3115	85.0	12460	114	4.5	0.202
R1AT-06-HT	3/8"	- 6	9,5	0.38	17,0	0.67	18.0	2610	72.0	10440	127	5.0	0.242
R1AT-08-HT	1/2"	- 8	12,7	0.50	20,1	0.79	16.0	2320	64.0	9280	178	7.0	0.309
R1AT-10-HT	5/8"	- 10	16,0	0.63	23,5	0.93	13.0	1885	52.0	7540	200	7.9	0.376
R1AT-12-HT	3/4"	- 12	19,0	0.75	27,5	1.08	10.5	1520	42.0	6080	240	9.4	0.497
R1AT-16-HT	1"	- 16	25,4	1.00	35,7	1.41	8.8	1275	35.0	5100	300	11.8	0.712
R1AT-20-HT	1.1/4"	- 20	32,0	1.25	43,7	1.72	6.3	910	25.0	3640	419	16.5	0.914
R1AT-24-HT	1.1/2"	- 24	38,0	1.50	50,8	2.00	5.0	725	20.0	2900	500	19.7	1.109
R1AT-32-HT	2"	- 32	50,8	2.00	64,3	2.53	4.0	580	16.0	2320	630	24.8	1.378

**Balflex®** hydraulic hose **DIN EN 853 1SN / SAE 100R1AT** has a very superior working and burst pressure compared with only **SAE 100R1AT**

COVER: U.S. MSHA APPROVED

**WARNING: THIS HOSE IS A HIGH TEMPERATURE HYDRAULIC HOSE BUT CANNOT BE USED WITH PHOSPHATE-ESTER BASED OILS. AND CANNOT BE USED IN AIRCRAFTS**

Construction characteristics and dimensions may be changed at anytime without prior notice

The data contained herein is for information purposes only and does not enlarge, amend or imply any warranty other than provided by the manufacturer with the product.

Any use of the product not in conformance with the manufacturer's instruction may be dangerous

Only items in this catalog are carried in stock. Some items are subject to minimum quantities or sold in multiples of standard quantities. Please refer to the price list or contact our commercial department. Prices subject to change without notice.



# Balflex® DIN EN 853 1SN / SAE 100R1AT

The Best Name You Can Get In Hose

## Balflex® ARMORGUARD DIN EN 853 1SN / SAE 100R1AT – 10.1002.--A

According to ISO 1436 / DIN EN 853 type 1SN / SAE J517 type SAE 100R1 AT

# Balflex® ARMORGUARD VERY HIGH ABRASION RESISTANCE

**High pressure, single steel braid reinforced hydraulic hose**



**Inner tube:** seamless oil resistant synthetic rubber  
**Reinforcement:** 1 high tensile steel wire braid  
**Outer tube:** black, oil, weather and VERY HIGH abrasion resistant synthetic rubber  
**Safety factor:** 4: 1

**Application:** petroleum base hydraulic fluids  
**Temperature range:** - 40°C (- 40°F) + 100°C (+ 212°F); Intermittent service: + 120°C (+ 248°F)  
 Max. temperature recommended for water base hydraulic fluids: + 70°C (+ 158°F)  
 Max. temperature recommended for air: + 60°C (+ 140°F)

**Fittings:** Balflex® Multicrimp BW23 series -or- 23 series stems with 20 series ferrules.

part number	Ø nom.	dash size	Ø internal		Ø external		working pressure		min. burst pressure		min. bend radius		weight
			mm	inch	mm	inch	MPa	PSI	MPa	PSI	mm	inch	
R1AT-03-A	3/16"	- 3	4,8	0.19	11,8	0.47	25.0	3625	100.0	14500	89	3.5	0.155
R1AT-04-A	1/4"	- 4	6,3	0.25	13,4	0.53	22.5	3260	90.0	13040	100	3.9	0.175
R1AT-05-A	5/16"	- 5	8,0	0.31	15,0	0.59	21.5	3115	85.0	12460	114	4.5	0.202
R1AT-06-A	3/8"	- 6	9,5	0.38	17,4	0.69	18.0	2610	72.0	10440	127	5.0	0.242
R1AT-08-A	1/2"	- 8	12,7	0.50	20,7	0.81	16.0	2320	64.0	9280	178	7.0	0.309
R1AT-10-A	5/8"	- 10	16,0	0.63	23,8	0.93	13.0	1885	52.0	7540	200	7.9	0.376
R1AT-12-A	3/4"	- 12	19,0	0.75	27,8	1.09	10.5	1520	42.0	6080	240	9.4	0.497
R1AT-16-A	1"	- 16	25,4	1.00	35,9	1.40	8.8	1275	35.0	5100	300	11.8	0.712
R1AT-20-A	1.1/4"	- 20	32,0	1.25	43,8	1.71	6.3	910	25.0	3640	419	16.5	0.914
R1AT-24-A	1.1/2"	- 24	38,0	1.50	51,1	1.99	5.0	725	20.0	2900	500	19.7	1.109
R1AT-32-A	2"	- 32	50,8	2.00	64,5	2.52	4.0	580	16.0	2320	630	24.8	1.378
R1AT-40-A	2.1/2"	- 40	63,5	2.50	79,0	3.11	5.0	725	20.0	2900	760	30.4	1.942
R1AT-48-A	3"	- 48	76,2	3.00	92,0	3.62	3.5	508	14.0	2030	900	36.0	2.305

Note: Sizes - 40 (2.1/2") and - 48 (3") not included in the standards.

**Balflex®** hydraulic hose **DIN EN 853 1SN / SAE 100R1AT** has a very superior working and burst pressure compared with only **SAE 100R1AT**

**COVER: U.S. MSHA APPROVED**

**Construction characteristics and dimensions may be changed at anytime without prior notice**

The data contained herein is for information purposes only and does not enlarge, amend or imply any warranty other than provided by the manufacturer with the product.

Any use of the product not in conformance with the manufacturer's instruction may be dangerous

Only items in this catalog are carried in stock. Some items are subject to minimum quantities or sold in multiples of standard quantities. Please refer to the price list or contact our commercial department. Prices subject to change without notice.



The Best Name You Can Get In Hose

## Balflex® DIN EN 853 2SN / SAE 100R2AT – 10.1004.

According to ISO 1436 / DIN EN 853 type 2SN / SAE J517 type SAE 100R2 AT

### High pressure, double steel braid reinforced hydraulic hose



<b>Inner tube:</b>	seamless oil resistant synthetic rubber
<b>Reinforcement:</b>	2 high tensile steel wire braids
<b>Outer tube:</b>	black, oil, weather and abrasion resistant synthetic rubber
<b>Safety factor:</b>	4: 1
<b>Application:</b>	petroleum base hydraulic fluids
<b>Temperature range:</b>	- 40°C (- 40°F) + 100°C (+ 212°F); Intermittent service: + 120°C (+ 248°F) Max. temperature recommended for water base hydraulic fluids: + 70°C (+ 158°F) Max. temperature recommended for air: + 60°C (+ 140°F)
<b>Fittings:</b>	Balflex® Multicrimp BW23 series -or- 23 series stems with 20 series ferrules.

part number	Ø nom.	dash size	Ø internal		Ø external		working pressure		min. burst pressure		min. bend radius		weight
			mm	inch	mm	inch	MPa	PSI	MPa	PSI	mm	inch	
R2AT-04	1/4"	- 4	6,3	0.25	14,8	0.58	40.0	5800	160.0	23200	100	3.9	0.255
R2AT-05	5/16"	- 5	8,0	0.31	16,4	0.65	35.0	5075	140.0	20300	114	4.5	0.302
R2AT-06	3/8"	- 6	9,5	0.38	18,6	0.73	33.0	4785	132.0	19140	127	5.0	0.356
R2AT-08	1/2"	- 8	12,7	0.50	21,9	0.86	27.5	3985	110.0	15940	178	7.0	0.437
R2AT-10	5/8"	- 10	16,0	0.63	25,3	1.00	25.0	3625	100.0	14500	200	7.9	0.511
R2AT-12	3/4"	- 12	19,0	0.75	29,2	1.15	21.5	3120	86.0	12480	240	9.4	0.672
R2AT-16	1"	- 16	25,4	1.00	38,0	1.50	16.5	2390	65.0	9560	300	11.8	0.995
R2AT-20	1.1/4"	- 20	32,0	1.25	47,8	1.88	12.5	1810	50.0	7240	419	16.5	1.438
R2AT-24	1.1/2"	- 24	38,0	1.50	54,8	2.16	9.0	1300	36.0	5200	500	19.7	1.714
R2AT-32	2"	- 32	50,8	2.00	67,5	2.66	8.0	1160	32.0	4640	630	24.8	2.217
R2AT-40	2.1/2"	- 40	63,5	2.50	83,0	3.27	7.0	1015	28.0	4060	760	30.4	2.661
R2AT-48	3"	- 48	76,2	3.00	96,0	3.78	5.5	798	22.0	3192	900	36.0	3.333

Note: Size - 48 (3") not included in the standards.

Balflex® hydraulic hose DIN EN 853 2SN / SAE 100R2AT has a very superior working and burst pressure compared with only SAE 100R2AT

COVER: U.S. MSHA APPROVED

#### Construction characteristics and dimensions may be changed at anytime without prior notice

The data contained herein is for information purposes only and does not enlarge, amend or imply any warranty other than provided by the manufacturer with the product.

Any use of the product not in conformance with the manufacturer's instruction may be dangerous

Only items in this catalog are carried in stock. Some items are subject to minimum quantities or sold in multiples of standard quantities. Please refer to the price list or contact our commercial department. Prices subject to change without notice.





The Best Name You Can Get In Hose

## Balflex® DIN EN 853 2SN / SAE 100R2AT SMOOTH COVER – 10.10S4.

According to ISO 1436 / DIN EN 853 type 2SN / SAE J517 type SAE 100R2 AT

## SHARK SKIN - SMOOTH COVER

High pressure, smooth cover, double steel braid reinforced hydraulic hose



<b>Inner tube:</b>	seamless oil resistant synthetic rubber
<b>Reinforcement:</b>	2 high tensile steel wire braids
<b>Outer tube:</b>	black, oil, weather and abrasion smooth resistant synthetic rubber
<b>Safety factor:</b>	4: 1
<b>Application:</b>	petroleum base hydraulic fluids
<b>Temperature range:</b>	- 40°C (- 40°F) + 100°C (+ 212°F); Intermittent service: + 120°C (+ 248°F) Max. temperature recommended for water base hydraulic fluids: + 70°C (+ 158°F) Max. temperature recommended for air: + 60°C (+ 140°F)
<b>Fittings:</b>	Balflex® Multicrimp BW23 series -or- 23 series stems with 20 series ferrules.

part number	Ø nom.	dash size	Ø internal		Ø external		working pressure		min. burst pressure		min. bend radius		weight
			mm	inch	mm	inch	MPa	PSI	MPa	PSI	mm	inch	
R2AT-04-SC	1/4"	- 4	6,3	0.25	14,8	0.58	40.0	5800	160.0	23200	100	3.9	0.255
R2AT-05-SC	5/16"	- 5	8,0	0.31	16,4	0.65	35.0	5075	140.0	20300	114	4.5	0.302
R2AT-06-SC	3/8"	- 6	9,5	0.38	18,6	0.73	33.0	4785	132.0	19140	127	5.0	0.356
R2AT-08-SC	1/2"	- 8	12,7	0.50	21,9	0.86	27.5	3985	110.0	15940	178	7.0	0.437
R2AT-10-SC	5/8"	- 10	16,0	0.63	25,3	1.00	25.0	3625	100.0	14500	200	7.9	0.511
R2AT-12-SC	3/4"	- 12	19,0	0.75	29,2	1.15	21.5	3120	86.0	12480	240	9.4	0.672
R2AT-16-SC	1"	- 16	25,4	1.00	38,0	1.50	16.5	2390	65.0	9560	300	11.8	0.995

Note: usually not available in stock, only by order.

Balflex® hydraulic hose DIN EN 853 2SN / SAE 100R2AT has a very superior working and burst pressure compared with only SAE 100R2AT

COVER: U.S. MSHA APPROVED

### Construction characteristics and dimensions may be changed at anytime without prior notice

The data contained herein is for information purposes only and does not enlarge, amend or imply any warranty other than provided by the manufacturer with the product.

Any use of the product not in conformance with the manufacturer's instruction may be dangerous

Only items in this catalog are carried in stock. Some items are subject to minimum quantities or sold in multiples of standard quantities. Please refer to the price list or contact our commercial department. Prices subject to change without notice.

# Balflex® FORZA DUE ARTIC 2 SAE 100R2AT - DIN EN 853 2SN



The Best Name You Can Get In Hose

## Balflex® ARTIC 2 DIN EN 853 2SN / SAE 100R2AT – 10.1004.--LT

According to ISO 1436 / DIN EN 853 type 2SN / SAE J517 type SAE 100R2 AT

**High pressure, double steel braid reinforced hydraulic hose**

## LOW TEMPERATURE - 60°C (- 76°F)



<b>Inner tube:</b>	seamless oil resistant synthetic rubber resistant to low temperature
<b>Reinforcement:</b>	2 high tensile steel wire braids
<b>Outer tube:</b>	black, oil, weather and abrasion resistant synthetic rubber
<b>Safety factor:</b>	4: 1
<b>Application:</b>	petroleum base hydraulic fluids
<b>Temperature range:</b>	- 60°C (- 76°F) + 100°C (+ 212°F) Max. temperature recommended for water base hydraulic fluids: + 70°C (+ 158°F) Max. temperature recommended for air: + 60°C (+ 140°F)
<b>Fittings:</b>	Balflex® Multicrimp BW23 series -or- 23 series stems with 20 series ferrules.

part number	Ø nom.	dash size	Ø internal		Ø external		working pressure		min. burst pressure		min. bend radius		Weight
			mm	inch	mm	inch	MPa	PSI	Mpa	PSI	mm	inch	
R2AT-04-LT	1/4"	- 4	6,3	0.25	14,8	0.58	40.0	5800	160.0	23200	100	3.9	0.255
R2AT-05-LT	5/16"	- 5	8,0	0.31	16,4	0.65	35.0	5075	140.0	20300	114	4.5	0.302
R2AT-06-LT	3/8"	- 6	9,5	0.38	18,6	0.73	33.0	4785	132.0	19140	127	5.0	0.356
R2AT-08-LT	1/2"	- 8	12,7	0.50	21,9	0.86	27.5	3985	110.0	15940	178	7.0	0.437
R2AT-10-LT	5/8"	- 10	16,0	0.63	25,3	1.00	25.0	3625	100.0	14500	200	7.9	0.511
R2AT-12-LT	3/4"	- 12	19,0	0.75	29,2	1.15	21.5	3120	86.0	12480	240	9.4	0.672
R2AT-16-LT	1"	- 16	25,4	1.00	38,0	1.50	16.5	2390	65.0	9560	300	11.8	0.995
R2AT-20-LT	1.1/4"	- 20	32,0	1.25	47,8	1.88	12.5	1810	50.0	7240	419	16.5	1.438
R2AT-24-LT	1.1/2"	- 24	38,0	1.50	54,8	2.16	9.0	1300	36.0	5200	500	19.7	1.714
R2AT-32-LT	2"	- 32	50,8	2.00	67,5	2.66	8.0	1160	32.0	4640	630	24.8	2.217

**Balflex®** hydraulic hose **DIN EN 853 2SN / SAE 100R2AT** has a very superior working and burst pressure compared with only **SAE 100R2AT**

COVER: U.S. MSHA APPROVED

**Construction characteristics and dimensions may be changed at anytime without prior notice**

The data contained herein is for information purposes only and does not enlarge, amend or imply any warranty other than provided by the manufacturer with the product.

Any use of the product not in conformance with the manufacturer's instruction may be dangerous

Only items in this catalog are carried in stock. Some items are subject to minimum quantities or sold in multiples of standard quantities. Please refer to the price list or contact our commercial department. Prices subject to change without notice.



# Balflex® FORZA DUE - TROPIC 2 SAE 100R2AT - DIN EN 853 2SN

The Best Name You Can Get In Hose

## Balflex® TROPIC 2 DIN EN 853 2SN / SAE 100R2AT – 10.1004.--HT

According to ISO 1436 / DIN EN 853 type 2SN / SAE J517 type SAE 100R2 AT

**High pressure, double steel braid reinforced hydraulic hose**

## HIGH TEMPERATURE

**+ 150°C (+ 302°F) intermittent service + 135°C (+ 275°F) continuous service**



<b>Inner tube:</b>	seamless oil resistant synthetic rubber resistant to high temperature
<b>Reinforcement:</b>	2 high tensile steel wire braids
<b>Outer tube:</b>	pin-pricked blue, oil, weather and abrasion resistant synthetic rubber
<b>Safety factor:</b>	4: 1
<b>Application:</b>	petroleum base hydraulic fluids
<b>Temperature range:</b>	intermittent: - 40°C (- 40°F) + 150°C (+ 302°F); continuous service: + 125°C (+ 257°F) Max. temperature recommended for water base hydraulic fluids: + 120°C (+ 248°F) Max. temperature recommended for air: + 135°C (+ 275°F)
<b>Fittings:</b>	Balflex® Multicrimp BW23 series -or- 23 series stems with 20 series ferrules.

part number	Ø nom.	dash size	Ø internal		Ø external		working pressure		min. burst pressure		min. bend radius		Weight
			mm	inch	mm	inch	MPa	PSI	MPa	PSI	mm	inch	
R2AT-04-HT	1/4"	- 4	6,3	0.25	15,0	0.59	40.0	5800	160.0	23200	100	3.9	0.255
R2AT-05-HT	5/16"	- 5	8,0	0.31	16,6	0.65	35.0	5075	140.0	20300	114	4.5	0.302
R2AT-06-HT	3/8"	- 6	9,5	0.38	19,0	0.75	33.0	4785	132.0	19140	127	5.0	0.356
R2AT-08-HT	1/2"	- 8	12,7	0.50	22,2	0.87	27.5	3985	110.0	15940	178	7.0	0.437
R2AT-10-HT	5/8"	- 10	16,0	0.63	25,5	1.00	25.0	3625	100.0	14500	200	7.9	0.511
R2AT-12-HT	3/4"	- 12	19,0	0.75	29,4	1.15	21.5	3120	86.0	12480	240	9.4	0.672
R2AT-16-HT	1"	- 16	25,4	1.00	37,9	1.50	16.5	2390	65.0	9560	300	11.8	0.995
R2AT-20-HT	1.1/4"	- 20	32,0	1.25	48,5	1.90	12.5	1810	50.0	7240	419	16.5	1.438
R2AT-24-HT	1.1/2"	- 24	38,0	1.50	54,7	2.15	9.0	1300	36.0	5200	500	19.7	1.714
R2AT-32-HT	2"	- 32	50,8	2.00	67,4	2.65	8.0	1160	32.0	4640	630	24.8	2.217

Balflex® hydraulic hose DIN EN 853 2SN / SAE 100R2AT has a very superior working and burst pressure compared with only SAE 100R2AT

COVER: U.S. MSHA APPROVED

**WARNING: THIS HOSE IS A HIGH TEMPERATURE HYDRAULIC HOSE BUT CANNOT BE USED WITH PHOSPHATE-ESTER BASED OILS. AND CANNOT BE USED IN AIRCRAFTS**

Construction characteristics and dimensions may be changed at anytime without prior notice

The data contained herein is for information purposes only and does not enlarge, amend or imply any warranty other than provided by the manufacturer with the product.

Any use of the product not in conformance with the manufacturer's instruction may be dangerous

Only items in this catalog are carried in stock. Some items are subject to minimum quantities or sold in multiples of standard quantities. Please refer to the price list or contact our commercial department. Prices subject to change without notice.



## Balflex® ARMORGUARD DIN EN 853 2SN / SAE 100R2AT – 10.1004.--A

According to ISO 1436 / DIN EN 853 type 2SN / SAE J517 type SAE 100R2 AT

# Balflex® ARMORGUARD VERY HIGH ABRASION RESISTANCE

**High pressure, double steel braid reinforced hydraulic hose**



- Inner tube:** seamless oil resistant synthetic rubber
- Reinforcement:** 2 high tensile steel wire braids
- Outer tube:** black, oil, weather and VERY HIGH abrasion resistant synthetic rubber
- Safety factor:** 4: 1
- Application:** petroleum base hydraulic fluids
- Temperature range:** - 40°C (- 40°F) + 100°C (+ 212°F); Intermittent service: + 120°C (+ 248°F)  
Max. temperature recommended for water base hydraulic fluids: **+ 70°C (+ 158°F)**  
Max. temperature recommended for air: **+ 60°C (+ 140°F)**
- Fittings:** Balflex® Multicrimp BW23 series -or- 23 series stems with 20 series ferrules.

part number	Ø nom.	dash size	Ø internal		Ø external		working pressure		min. burst pressure		min. bend radius		weight
			mm	inch	mm	inch	MPa	PSI	MPa	PSI	mm	inch	
R2AT-03-A	3/16"	- 3	4,8	0.19	13,4	0.53	41.5	6015	165.0	24060	89	3.5	0.215
R2AT-04-A	1/4"	- 4	6,3	0.25	15,0	0.59	40.0	5800	160.0	23200	100	3.9	0.255
R2AT-05-A	5/16"	- 5	8,0	0.31	16,6	0.65	35.0	5075	140.0	20300	114	4.5	0.302
R2AT-06-A	3/8"	- 6	9,5	0.38	19,0	0.75	33.0	4785	132.0	19140	127	5.0	0.356
R2AT-08-A	1/2"	- 8	12,7	0.50	22,2	0.87	27.5	3985	110.0	15940	178	7.0	0.437
R2AT-10-A	5/8"	- 10	16,0	0.63	25,5	1.00	25.0	3625	100.0	14500	200	7.9	0.511
R2AT-12-A	3/4"	- 12	19,0	0.75	29,4	1.15	21.5	3120	86.0	12480	240	9.4	0.672
R2AT-16-A	1"	- 16	25,4	1.00	37,9	1.50	16.5	2390	65.0	9560	300	11.8	0.995
R2AT-20-A	1.1/4"	- 20	32,0	1.25	48,5	1.90	12.5	1810	50.0	7240	419	16.5	1.438
R2AT-24-A	1.1/2"	- 24	38,0	1.50	54,7	2.15	9.0	1300	36.0	5200	500	19.7	1.714
R2AT-32-A	2"	- 32	50,8	2.00	67,4	2.65	8.0	1160	32.0	4640	630	24.8	2.217
R2AT-40-A	2.1/2"	- 40	63,5	2.50	83,0	3.27	7.0	1015	28.0	4060	760	30.4	2.661
R2AT-48-A	3"	- 48	76,2	3.00	96,0	3.78	5.5	798	22.0	3192	900	36.0	3.333

Note: Size - 48 (3") not included in the standards.

**Balflex®** hydraulic hose **DIN EN 853 2SN / SAE 100R2AT** has a very superior working and burst pressure compared with only **SAE 100R2AT**

**COVER: U.S. MSHA APPROVED**

**Construction characteristics and dimensions may be changed at anytime without prior notice**

The data contained herein is for information purposes only and does not enlarge, amend or imply any warranty other than provided by the manufacturer with the product.

Any use of the product not in conformance with the manufacturer's instruction may be dangerous

Only items in this catalog are carried in stock. Some items are subject to minimum quantities or sold in multiples of standard quantities. Please refer to the price list or contact our commercial department. Prices subject to change without notice.



# Balflex® BALPAC PREMIUM – SAE 100R16

The Best Name You Can Get In Hose

## Balflex® BALPAC PREMIUM SAE 100R16 – 10.1019.

According to **SAE J517** Norm type / **SAE 100R16** / **ISO 11237 –1** Norm type **R16**

**Exceeds SAE 100R16**

**Very High pressure, double steel wire braid reinforced hydraulic hose**



<b>Inner tube:</b>	seamless oil resistant synthetic rubber
<b>Reinforcement:</b>	2 high tensile steel wire braids
<b>Outer tube:</b>	black, oil, weather and abrasion resistant synthetic rubber
<b>Safety factor:</b>	4: 1
<b>Application:</b>	petroleum base hydraulic fluids
<b>Temperature range:</b>	- 40°C (- 40°F) + 100°C (+ 212°F); Intermittent service: + 120°C (+ 248°F) Max. temperature recommended for water base hydraulic fluids: + 70°C (+ 158°F) Max. temperature recommended for air: + 60°C (+ 140°F)
<b>Fittings:</b>	Balflex® Multicrimp BW23 series -or- 23 series stems with 20 series ferrules.

part number	Ø nom.	dash size	Ø internal		Ø external		working pressure		min. burst pressure		min. bend radius		Weight
			mm	inch	mm	inch	MPa	PSI	MPa	PSI	mm	inch	
R16-04	1/4"	- 4	6,3	0.25	13,1	0.52	40.0	5800	160.0	23200	50	2.0	0.181
R16-05	5/16"	- 5	8,0	0.31	15,0	0.59	35.0	5075	140.0	20300	57	2,2	0.202
R16-06	3/8"	- 6	9,5	0.38	17,3	0.68	33.0	4785	132.0	19140	65	2.6	0.282
R16-08	1/2"	- 8	12,7	0.50	20,4	0.80	27.6	4000	110.4	16000	90	3.5	0.349
R16-10	5/8"	- 10	16,0	0.63	24,0	0.94	25.0	3625	100.0	14500	100	3.9	0.423
R16-12	3/4"	- 12	19,0	0.75	27,8	1.09	21.5	3118	86.0	12472	120	4.7	0.538
R16-16	1"	- 16	25,4	1.00	35,6	1.40	16.5	2393	66.0	9572	150	5.9	0.820

COVER: U.S. MSHA APPROVED

### Construction characteristics and dimensions may be changed at anytime without prior notice

The data contained herein is for information purposes only and does not enlarge, amend or imply any warranty other than provided by the manufacturer with the product.

Any use of the product not in conformance with the manufacturer's instruction may be dangerous

Only items in this catalog are carried in stock. Some items are subject to minimum quantities or sold in multiples of standard quantities. Please refer to the price list or contact our commercial department. Prices subject to change without notice.



### Balflex® BALPAC PREMIUM SAE 100R16 – 10.1S19.

According to SAE J517 Norm type / SAE 100R16 / ISO 11237 –1 Norm type R16

## SHARK SKIN - SMOOTH COVER

Exceeds SAE 100R16

Very High pressure, double steel wire braid reinforced hydraulic hose



<b>Inner tube:</b>	seamless oil resistant synthetic rubber
<b>Reinforcement:</b>	2 high tensile steel wire braids
<b>Outer tube:</b>	black, oil, weather and abrasion resistant synthetic rubber
<b>Safety factor:</b>	4: 1
<b>Application:</b>	petroleum base hydraulic fluids
<b>Temperature range:</b>	- 40°C (- 40°F) + 100°C (+ 212°F); Intermittent service: + 120°C (+ 248°F) Max. temperature recommended for water base hydraulic fluids: + 70°C (+ 158°F) Max. temperature recommended for air: + 60°C (+ 140°F)
<b>Fittings:</b>	Balflex® Multicrimp BW23 series -or- 23 series stems with 20 series ferrules.

part number	Ø nom.	dash size	Ø internal		Ø external		working pressure		min. burst pressure		min. bend radius		weight
			mm	inch	mm	inch	MPa	PSI	MPa	PSI	mm	inch	
R16-04-SC	1/4"	- 4	6,3	0.25	13,1	0.52	40.0	5800	160.0	23200	50	2.0	0.181
R16-05-SC	5/16"	- 5	8,0	0.31	15,0	0.59	35.0	5075	140.0	20300	57	2,2	0.202
R16-06-SC	3/8"	- 6	9,5	0.38	17,3	0.68	33.0	4785	132.0	19140	65	2.6	0.282
R16-08-SC	1/2"	- 8	12,7	0.50	20,4	0.80	27.6	4000	110.4	16000	90	3.5	0.349
R16-10-SC	5/8"	- 10	16,0	0.63	24,0	0.94	25.0	3625	100.0	14500	100	3.9	0.423
R16-12-SC	3/4"	- 12	19,0	0.75	27,8	1.09	21.5	3118	86.0	12472	120	4.7	0.538
R16-16-SC	1"	- 16	25,4	1.00	35,6	1.40	16.5	2393	66.0	9572	150	5.9	0.820

COVER: U.S. MSHA APPROVED

**Construction characteristics and dimensions may be changed at anytime without prior notice**

The data contained herein is for information purposes only and does not enlarge, amend or imply any warranty other than provided by the manufacturer with the product.

Any use of the product not in conformance with the manufacturer's instruction may be dangerous

Only items in this catalog are carried in stock. Some items are subject to minimum quantities or sold in multiples of standard quantities. Please refer to the price list or contact our commercial department. Prices subject to change without notice.



# Balflex® BALPAC 3000 – SAE 100R17

The Best Name You Can Get In Hose

## Balflex® BALPAC 3000 SAE 100R17 – 10.1017.

According to **SAE J517 Norm type / SAE 100R17 / ISO 11237 –1 Norm type R17**

According to **ISO 11237 –1 Norm type 1SC / DIN EN 857 Norm type 1SC** from 1/4" to 1/2"

According to **ISO 11237 –1 Norm type 2SC / DIN EN 857 Norm type 2SC** from 5/8" to 1"

### High pressure, single or double steel braid reinforced hydraulic hose



<b>Inner tube:</b>	seamless oil resistant synthetic rubber
<b>Reinforcement:</b>	1 high tensile steel wire braid on sizes 1/4", 5/16", 3/8" and 1/2" and 2 braids on sizes 5/8", 3/4" and 1"
<b>Outer tube:</b>	black, oil, weather and abrasion resistant synthetic rubber
<b>Safety factor:</b>	4: 1
<b>Application:</b>	petroleum base hydraulic fluids
<b>Temperature range:</b>	- 40°C (- 40°F) + 100°C (+ 212°F); Intermittent service: + 120°C (+ 248°F) Max. temperature recommended for water base hydraulic fluids: + 70°C (+ 158°F) Max. temperature recommended for air: + 60°C (+ 140°F)
<b>Fittings:</b>	Balflex® Multicrimp BW23 series -or- 23 series stems with 20 series ferrules. 20.302 (2 wires) & 20.305 (1 wire)

part number	Ø nom.	dash size	Ø internal		Ø external		working pressure		min. burst pressure		min. bend radius		weight
			mm	inch	mm	inch	MPa	PSI	MPa	PSI	mm	inch	
<b>1 Wire Braid</b>													
R17-04	1/4"	- 4	6,3	0.25	12,0	0.47	22.5	3260	90.0	13040	51	2.0	0.148
R17-05	5/16"	- 5	8,0	0.31	13,8	0.54	21.0	3000	84.0	12000	60	2.4	0.181
R17-06	3/8"	- 6	9,5	0.38	15,8	0.62	21.0	3000	84.0	12000	64	2.5	0.228
R17-08	1/2"	- 8	12,7	0.50	19,3	0.76	21.0	3000	84.0	12000	89	3.5	0.282
<b>2 Wire Braid</b>													
R17-10	5/8"	- 10	15,9	0.63	24,0	0.94	25.0	3625	100.0	14500	102	4.0	0.343
R17-12	3/4"	- 12	19,0	0.75	28,0	1.10	21.5	3120	86.0	12480	122	4.8	0.423
R17-16	1"	- 16	25,4	1.00	35,5	1.40	20.7	3000	82.8	12000	152	6.0	0.672

COVER: U.S. MSHA APPROVED

#### Construction characteristics and dimensions may be changed at anytime without prior notice

The data contained herein is for information purposes only and does not enlarge, amend or imply any warranty other than provided by the manufacturer with the product.

Any use of the product not in conformance with the manufacturer's instruction may be dangerous

Only items in this catalog are carried in stock. Some items are subject to minimum quantities or sold in multiples of standard quantities. Please refer to the price list or contact our commercial department. Prices subject to change without notice.

# Balflex® BALPAC 3000 – SAE 100R17 SHARK SKIN



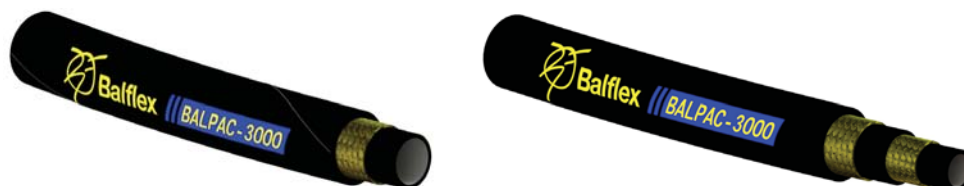
The Best Name You Can Get In Hose

## Balflex® BALPAC 3000 SAE 100R17 – 10.1S17.

According to **SAE J517** Norm type / **SAE 100R17** / **ISO 11237 –1** Norm type **R17**  
 According to **ISO 11237 –1** Norm type **1SC** / **DIN EN 857** Norm type **1SC** from 1/4" to 1/2"  
 According to **ISO 11237 –1** Norm type **2SC** / **DIN EN 857** Norm type **2SC** from 5/8" to 1"

## SHARK SKIN - SMOOTH COVER

High pressure, single or double steel braid reinforced hydraulic hose



<b>Inner tube:</b>	seamless oil resistant synthetic rubber
<b>Reinforcement:</b>	1 high tensile steel wire braid on sizes 1/4", 5/16", 3/8" and 1/2" and 2 braids on sizes 5/8", 3/4" and 1"
<b>Outer tube:</b>	black, oil, weather and abrasion resistant synthetic rubber
<b>Safety factor:</b>	4: 1
<b>Application:</b>	petroleum base hydraulic fluids
<b>Temperature range:</b>	- 40°C (- 40°F) + 100°C (+ 212°F); Intermittent service: + 120°C (+ 248°F) Max. temperature recommended for water base hydraulic fluids: + 70°C (+ 158°F) Max. temperature recommended for air: + 60°C (+ 140°F)
<b>Fittings:</b>	Balflex® Multicrimp BW23 series -or- 23 series stems with 20 series ferrules. 20.302 (2 wires) & 20.305 (1 wire)

part number	Ø nom.	dash size	Ø internal		Ø external		working pressure		min. burst pressure		min. bend radius		weight
			mm	inch	mm	inch	MPa	PSI	MPa	PSI	mm	inch	
<b>1 Wire Braid</b>													
R17-04-SC	1/4"	- 4	6,3	0.25	12,0	0.47	22.5	3260	90.0	13040	51	2.0	0.148
R17-05-SC	5/16"	- 5	8,0	0.31	13,8	0.54	21.0	3000	84.0	12000	60	2.4	0.181
R17-06-SC	3/8"	- 6	9,5	0.38	15,8	0.62	21.0	3000	84.0	12000	64	2.5	0.228
R17-08-SC	1/2"	- 8	12,7	0.50	19,3	0.76	21.0	3000	84.0	12000	89	3.5	0.282
<b>2 Wire Braid</b>													
R17-10-SC	5/8"	- 10	15,9	0.63	24,0	0.94	25.0	3625	100.0	14500	102	4.0	0.343
R17-12-SC	3/4"	- 12	19,0	0.75	28,0	1.10	21.5	3120	86.0	12480	122	4.8	0.423
R17-16-SC	1"	- 16	25,4	1.00	35,5	1.40	20.7	3000	82.8	12000	152	6.0	0.672

COVER: U.S. MSHA APPROVED

### Construction characteristics and dimensions may be changed at anytime without prior notice

The data contained herein is for information purposes only and does not enlarge, amend or imply any warranty other than provided by the manufacturer with the product.

Any use of the product not in conformance with the manufacturer's instruction may be dangerous

Only items in this catalog are carried in stock. Some items are subject to minimum quantities or sold in multiples of standard quantities. Please refer to the price list or contact our commercial department. Prices subject to change without notice.





# Balflex® 2 - MAX JACK

The Best Name You Can Get In Hose

## Balflex® 2 – MAX JACK 1/4" 3/8" 10.000PSI and 1/2" 8000PSI – 10.1029.

**High pressure, double steel braid reinforced hydraulic hose**



- Inner tube:** seamless oil resistant synthetic rubber
- Reinforcement:** 2 high tensile steel wire braids
- Outer tube:** black, oil, weather and abrasion resistant synthetic rubber
- Safety factor:** 2.3: 1 (1/4") and 2: 1 (3/8" and 1/2")
- Application:** hydraulic jacks
- Temperature range:** - 40°C (- 40°F) + 100°C (+ 212°F); Intermittent service: + 120°C (+ 248°F)  
Max. temperature recommended for water base hydraulic fluids: **+ 70°C (+ 158°F)**  
Max. temperature recommended for air: **+ 60°C (+ 140°F)**
- Fittings:** Balflex® Multicrimp BW23 series -or- 23 series stems with 20 series ferrules.

part number	Ø nom.	dash size	Ø internal		Ø external		working pressure		min. burst pressure		min. bend radius		weight
			mm	inch	mm	inch	MPa	PSI	MPa	PSI	mm	inch	
JH-04	1/4"	- 4	6,3	0.25	15,0	0.59	70.0	10000	160.0	23200	100	3.9	0.255
JH-06	3/8"	- 6	9,5	0.38	19,0	0.75	70.0	10000	140.0	20000	127	5.0	0.356
JH-08	1/2"	- 8	12,7	0.50	22,2	0.87	55.2	8000	110.4	16000	178	7.0	0.437

COVER: U.S. MSHA APPROVED

### Construction characteristics and dimensions may be changed at anytime without prior notice

The data contained herein is for information purposes only and does not enlarge, amend or imply any warranty other than provided by the manufacturer with the product.

Any use of the product not in conformance with the manufacturer's instruction may be dangerous

Only items in this catalog are carried in stock. Some items are subject to minimum quantities or sold in multiples of standard quantities. Please refer to the price list or contact our commercial department. Prices subject to change without notice.



The Best Name You Can Get In Hose

## Balflex® BALMASTER BESTFLEX DIN EN 856 4SP – 10.1008.F

According to ISO 3862 / EN 856 type 4SP

### SUPER FLEXIBLE TIGHTER BEND RADIUS



Very high pressure, four steel wire spirals reinforced hydraulic hose

<b>Inner tube:</b>	seamless oil resistant synthetic rubber
<b>Reinforcement:</b>	4 spirals of high tensile steel wire
<b>Outer tube:</b>	black, oil, weather and abrasion resistant synthetic rubber
<b>Safety factor:</b>	4: 1
<b>Application:</b>	petroleum base hydraulic fluids
<b>Temperature range:</b>	- 40°C (- 40°F) + 100°C (+ 212°F); Intermittent service: + 120°C (+ 248°F) Max. temperature recommended for water base hydraulic fluids: + 70°C (+ 158°F) Max. temperature recommended for air: + 60°C (+ 140°F)
<b>Fittings:</b>	Multicrimp BW23 Series -or- Balflex® crimped fittings 24 series with 20 series ferrules.

part number	Ø nom.	dash size	Ø internal		Ø external		working pressure		min. burst pressure		min. bend radius		weight
			mm	inch	mm	inch	MPa	PSI	MPa	PSI	mm	inch	
4SP-04F	1/4"	- 4	6,6	0.26	17.4	0.69	45.0	6500	180.0	26000	150	5.9	0.403
4SP-06F	3/8"	- 6	9,5	0.38	19.9	0.78	44.5	6450	178.0	25800	180	7.1	0.470
4SP-08F	1/2"	- 8	12,7	0.50	22.8	0.90	41.5	6000	166.0	24000	230	9.1	0.605
4SP-10F	5/8"	- 10	16,0	0.63	26.4	1.04	35.0	5050	140.0	20200	250	9.8	0.739
4SP-12F	3/4"	- 12	19,0	0.75	30.6	1.20	38.0	5510	152.0	22040	300	11.8	1.008
4SP-16F	1"	- 16	25,4	1.00	37.7	1.48	32.0	4640	128.0	18560	340	13.4	1.344
4SP-20F	1.1/4"	- 20	32,0	1.25	48.6	1.91	21.0	3050	84.0	12200	460	18.1	2.016
4SP-24F	1.1/2"	- 24	38,0	1.50	55.0	2.17	21.0	3045	84.0	12200	560	22.1	2.083
4SP-32F	2"	- 32	50,8	2.00	68.1	2.68	17.5	2540	70.0	10160	660	26.0	2.923

\* Tolerance Ø external: +- 0,5mm / +- 0.020 inch

COVER: U.S. MSHA APPROVED

Construction characteristics and dimensions may be changed at anytime without prior notice

The data contained herein is for information purposes only and does not enlarge, amend or imply any warranty other than provided by the manufacturer with the product.

Any use of the product not in conformance with the manufacturer's instruction may be dangerous

Only items in this catalog are carried in stock. Some items are subject to minimum quantities or sold in multiples of standard quantities. Please refer to the price list or contact our commercial department. Prices subject to change without notice.



# Balflex® POWERSPIR BESTFLEX - EN 856 4SH

The Best Name You Can Get In Hose

## Balflex® POWERSPIR BESTFLEX DIN EN 856 4SH – 10.1009.F

According to ISO 3862 / EN 856 type 4SH

According to ISO 3862 / EN 856 type 4SH / SAE 100R13 on sizes 3/4" and 1"

According to ISO 3862 / EN 856 type 4SH / SAE 100R15 on size 3/4"



## SUPER FLEXIBLE TIGHTER BEND RADIUS

Very high pressure, four steel wire spirals reinforced hydraulic hose

<b>Inner tube:</b>	seamless oil resistant synthetic rubber
<b>Reinforcement:</b>	4 spirals of very high tensile steel wire
<b>Outer tube:</b>	black, oil, weather and abrasion resistant synthetic rubber
<b>Safety factor:</b>	4: 1
<b>Application:</b>	petroleum base hydraulic fluids
<b>Temperature range:</b>	- 40°C (- 40°F) + 100°C (+ 212°F); Intermittent service: + 120°C (+ 248°F) Max. temperature recommended for water base hydraulic fluids: + 70°C (+ 158°F) Max. temperature recommended for air: + 60°C (+ 140°F)
<b>Fittings:</b>	Multicrimp BW23 Series from 3/4" up to 2" -or- Balflex® crimped fittings series 26 with 20.406 ferrules (3/4" and 1") & 20.405 (1.1/4", 1.1/2" and 2")

part number	Ø nom.	dash size	Ø internal		Ø external		working pressure		min. burst pressure		min. bend radius		weight
			mm	inch	mm	inch	MPa	PSI	MPa	PSI	mm	inch	
4SH-12F *	3/4"	- 12	19,0	0.75	30.8	1.21	42.0	6090	168.0	24360	280	11.0	1.008
4SH-16F **	1"	- 16	25,4	1.00	37.6	1.48	38,5	5585	154.0	22340	340	13.4	1.344
4SH-20F	1.1/4"	- 20	32,0	1.25	44.5	1.75	35,0	5075	140.0	20300	460	18.1	1.646
4SH-24F	1.1/2"	- 24	38,0	1.50	51.7	2.04	30,0	4350	120.0	17400	560	22.1	2.016
4SH-32F	2"	- 32	50,8	2.00	66.0	2.60	25.0	3600	100.0	14400	700	27.6	3.024

\* Tolerance Ø external: +- 0,5mm / +- 0.020 inch

\* On size – 12 (3/4") the Balflex® POWERSPIR DIN EN 856 4SH hose, the Balflex® POWERSPIR SAE 100R13 hose and the Balflex® POWERSPIR SAE 100R15 hose are the same. The working pressure of the Balflex® POWERSPIR DIN EN 856 4SH SAE 100R13 SAE 100R15 3/4" hose exceeds SAE 100R13.

\*\* On size – 16 (1") the Balflex® POWERSPIR DIN EN 856 4SH and the Balflex® POWERSPIR SAE 100R13 hose are the same. The working pressure of the Balflex® POWERSPIR DIN EN 856 4SH SAE 100R13 1" hose exceeds SAE 100R13.

COVER: U.S. MSHA APPROVED

Construction characteristics and dimensions may be changed at anytime without prior notice

The data contained herein is for information purposes only and does not enlarge, amend or imply any warranty other than provided by the manufacturer with the product.

Any use of the product not in conformance with the manufacturer's instruction may be dangerous

Only items in this catalog are carried in stock. Some items are subject to minimum quantities or sold in multiples of standard quantities. Please refer to the price list or contact our commercial department. Prices subject to change without notice.



The Best Name You Can Get In Hose

## Balflex® BALMASTER BESTFLEX SAE 100R12 / DIN EN 856 R12 – 10.1012.F

According to ISO 3862 / EN 856 type R12 / SAE J517 type SAE 100R12



## SUPER FLEXIBLE TIGHTER BEND RADIUS

High pressure, four steel wire spirals reinforced hydraulic hose

<b>Inner tube:</b>	seamless oil resistant synthetic rubber
<b>Reinforcement:</b>	4 spirals of high tensile steel wire
<b>Outer tube:</b>	black, oil, weather and abrasion resistant synthetic rubber
<b>Safety factor:</b>	4: 1
<b>Application:</b>	petroleum base hydraulic fluids
<b>Temperature range:</b>	- 40°C (- 40°F) + 100°C (+ 212°F); Intermittent service: + 120°C (+ 248°F) Max. temperature recommended for water base hydraulic fluids: + 70°C (+ 158°F) Max. temperature recommended for air: + 60°C (+ 140°F)
<b>Fittings:</b>	Balflex® Multicrimp BW23 Series -or- 23 or 24 series with 20 series ferrules.

part number	Ø nom.	dash size	Ø internal		Ø external		working pressure		min. burst pressure		min. bend radius		weight
			mm	inch	mm	inch	MPa	PSI	MPa	PSI	mm	inch	
R12-06F	3/8"	- 6	9,5	0.38	19.6	0.77	28.0	4060	112.0	16240	120	4.7	0.464
R12-08F	1/2"	- 8	12,7	0.50	23.1	0.91	28.0	4060	112.0	16240	170	6.7	0.558
R12-10F	5/8"	- 10	16,0	0.63	27.0	1.06	28.0	4060	112.0	16240	190	7.5	0.672
R12-12F	3/4"	- 12	19,0	0.75	30.1	1.19	28.0	4060	112.0	16240	230	9.1	0.874
R12-16F	1"	- 16	25,4	1.00	37.3	1.47	28.0	4060	112.0	16240	290	11.4	1.243
R12-20F	1.1/4"	- 20	32,0	1.25	46.5	1.83	21.0	3045	84.0	12180	400	15.8	1.814
R12-24F	1.1/2"	- 24	38,0	1.50	53.0	2.09	17.5	2538	70.0	10152	480	18.9	2.150
R12-32F	2"	- 32	50,8	2.00	66.5	2.62	17.5	2538	70.0	10152	630	24.8	2.688

\* Tolerance Ø external: +- 0,5mm / +- 0.020 inch

COVER: U.S. MSHA APPROVED

**Construction characteristics and dimensions may be changed at anytime without prior notice**

The data contained herein is for information purposes only and does not enlarge, amend or imply any warranty other than provided by the manufacturer with the product.

Any use of the product not in conformance with the manufacturer's instruction may be dangerous

Only items in this catalog are carried in stock. Some items are subject to minimum quantities or sold in multiples of standard quantities. Please refer to the price list or contact our commercial department. Prices subject to change without notice.



# Balflex® POWERSPIR BESTFLEX - SAE 100R13

The Best Name You Can Get In Hose

## Balflex® POWERSPIR BESTFLEX SAE 100R13 – 10.1009.F \* 10.1014.F – 5000PSI

According to ISO 3862 / EN 856 type R13 / SAE J517 type R13

### SUPER FLEXIBLE TIGHTER BEND RADIUS



Very high pressure, four or six steel wire spirals reinforced hydraulic hose

Inner tube:	seamless oil resistant synthetic rubber
Reinforcement:	4 or 6 spirals of high tensile steel wire
Outer tube:	black, oil, weather and abrasion resistant synthetic rubber
Safety factor:	4: 1
Application:	petroleum base hydraulic fluids
Temperature range:	- 40°C (- 40°F) + 100°C (+ 212°F); Intermittent service: + 120°C (+ 248°F) Max. temperature recommended for water base hydraulic fluids: + 70°C (+ 158°F) Max. temperature recommended for air: + 60°C (+ 140°F)
Fittings:	Multicrimp BW23 series 3/4" & 1" • Multicrimp JJ26 series -or- Balflex® 26 series with 20.406 series ferrules.

part number	Ø nom.	dash size	Ø internal		Ø external		working pressure		min. burst pressure		min. bend radius		weight
			mm	inch	mm	inch	MPa	PSI	MPa	PSI	mm	inch	
4SH-12F *	3/4"	- 12	19,0	0.75	30.8	1.21	42.0	6090	168.0	24360	280	11.0	1.048
4SH-16F *	1"	- 16	25,4	1.00	37.6	1.48	38.0	5500	152.0	22000	340	13.4	1.404
R13-20F	1.1/4"	- 20	32,0	1.25	49.4	1.94	35.0	5075	140.0	20300	420	16.5	2.385
R13-24F	1.1/2"	- 24	38,0	1.50	56.9	2.24	35.0	5075	140.0	20300	500	19.7	3.091
R13-32F	2"	- 32	50,8	2.00	70.9	2.79	35.0	5075	140.0	20300	620	24.4	4.301

\* Tolerance Ø external: +/- 0,5mm / +/- 0.020 inch

Note: According to ISO 3862 / EN 856 type R13 / SAE J517 type R13, the Balflex® POWERSPIR SAE 100R13 hose is of 4 steel wire spirals on sizes – 12 (3/4") and – 16 (1") and of 6 steel wire spirals on sizes – 20 (1.1/4"), – 24 (1.1/2") and – 32 (2").

\* On sizes – 12 (3/4") and – 16 (1") the Balflex® POWERSPIR DIN EN 856 4SH and SAE 100R13 hoses are the same. The working pressure of Balflex® POWERSPIR DIN EN 856 4SH SAE 100R13 3/4" and Balflex® POWERSPIR DIN EN 856 4SH SAE 100R13 1" exceeds SAE 100R13.

**COVER: U.S. MSHA APPROVED**

Construction characteristics and dimensions may be changed at anytime without prior notice

The data contained herein is for information purposes only and does not enlarge, amend or imply any warranty other than provided by the manufacturer with the product.

Any use of the product not in conformance with the manufacturer's instruction may be dangerous

Only items in this catalog are carried in stock. Some items are subject to minimum quantities or sold in multiples of standard quantities. Please refer to the price list or contact our commercial department. Prices subject to change without notice.

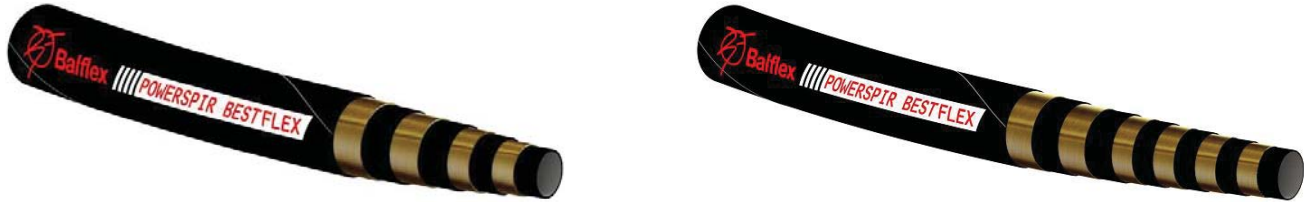


The Best Name You Can Get In Hose

## Balflex® POWERSPIR BESTFLEX SAE 100R15 – 10.1009.F \*\* 10.1016.F – 6000PSI

According to **ISO 3862 / EN 856 type 4SH / SAE 100R15** on size **1"**  
According to **ISO 3862 / EN 856 type R15 / SAE J517 type R15** all other sizes

## SUPER FLEXIBLE TIGHTER BEND RADIUS



Very high pressure, four or six steel wire spirals reinforced hydraulic hose

<b>Inner tube:</b>	seamless oil resistant synthetic rubber
<b>Reinforcement:</b>	4 spirals of very high tensile steel wire
<b>Outer tube:</b>	black, oil, weather and abrasion resistant synthetic rubber
<b>Safety factor:</b>	4: 1
<b>Application:</b>	petroleum base hydraulic fluids
<b>Temperature range:</b>	- 40°C (- 40°F) + 100°C (+ 212°F); Intermittent service: + 120°C (+ 248°F) Max. temperature recommended for water base hydraulic fluids: + 70°C (+ 158°F) Max. temperature recommended for air: + 60°C (+ 140°F)
<b>Fittings:</b>	Multicrimp JJ26 Series -or- Balflex® 26 series with 20.405 series (1.1/4", 1.1/2" and 2") & 20.406 series ferrules (3/4" and 1")

part number	Ø nom.	dash size	Ø internal		Ø external		working pressure		min. burst pressure		min. bend radius		weight
			mm	inch	mm	inch	MPa	PSI	MPa	PSI	mm	inch	
R15-06F	3/8"	- 6	9,5	0.38	22.0	0.87	42.0	6090	168.0	24360	140	5.5	0.470
R15-08F	1/2"	- 8	12,7	0.50	25.2	0.99	42.0	6090	168.0	24360	190	7.5	0.538
R15-10F	5/8"	- 10	16,0	0.63	27.2	1.07	42.0	6090	168.0	24360	200	7.9	0.571
4SH-12F **	3/4"	- 12	19,0	0.75	30.8	1.21	42.0	6090	168.0	24360	224	8.8	0.874
R15-16F	1"	- 16	25,4	1.00	38.4	1.51	42.0	6090	168.0	24360	272	10.7	1.277
R15-20F	1.1/4"	- 20	32,0	1.25	50.2	1.98	42.0	6090	168.0	24360	400	15.7	2.453
R15-24F	1.1/2"	- 24	38,0	1.50	56.8	2.24	42.0	6090	168.0	24360	450	17.7	3.360
R15-32F	2"	- 32	50,8	2.00	71.5	2.81	42.0	6090	168.0	24360	650	25.6	4.637

\* **Tolerance Ø external:** +/- 0,5mm / +/- 0.020 inch

\*\* On size – 12 (3/4") the **Balflex® POWERSPIR DIN EN 856 4SH**, the **Balflex® POWERSPIR SAE 100R13** and the **Balflex® POWERSPIR SAE 100R15** hoses are the same. The working pressure of the **Balflex® POWERSPIR DIN EN 856 4SH / SAE 100R13 / SAE 100R15 3/4"** exceeds **SAE 100R15**.

There is no standard **ISO 3862 / SAE J517 type R15** for size – 32 (2").

**COVER: U.S. MSHA APPROVED**

**Construction characteristics and dimensions may be changed at anytime without prior notice**

The data contained herein is for information purposes only and does not enlarge, amend or imply any warranty other than provided by the manufacturer with the product.

Any use of the product not in conformance with the manufacturer's instruction may be dangerous

Only items in this catalog are carried in stock. Some items are subject to minimum quantities or sold in multiples of standard quantities. Please refer to the price list or contact our commercial department. Prices subject to change without notice.



# Balflex® TEXMASTER 3 – SAE 100R3 - DIN EN 3TE

The Best Name You Can Get In Hose

## Balflex® DIN EN 854 3TE / SAE 100R3 – 10.1220.

According to ISO 4079 type 3 / DIN EN 854 type 3TE / SAE J517 type SAE 100R3

### Medium pressure, double textile braid reinforced hydraulic hose



<b>Inner tube:</b>	seamless oil resistant synthetic rubber
<b>Reinforcement:</b>	2 high resistance synthetic fiber braids
<b>Outer tube:</b>	black, oil, weather and abrasion resistant synthetic rubber
<b>Safety factor:</b>	4: 1
<b>Application:</b>	petroleum base hydraulic fluids
<b>Temperature range:</b>	- 40°C (- 40°F) + 100°C (+ 212°F). Max. temperature recommended for water base hydraulic fluids: + 70°C (+ 158°F) Max. temperature recommended for air: + 50°C (+ 122°F)
<b>Fittings:</b>	Balflex® crimped fittings 23 series with ferrules 20.201. series on sizes 1/4", 5/16", 3/8", 1", 1.1/4", 1.1/2" and 2", and 20.202. series on sizes 1/2", 5/8" and 3/4".

part number	Ø nom.	dash size	Ø internal		Ø external		working pressure		min. burst pressure		min. bend radius		weight
			mm	inch	mm	inch	MPa	PSI	MPa	PSI	mm	inch	
R3-04	1/4"	- 4	6,3	0.25	14,4	0.57	14.5	2100	58.0	8400	45	1.77	0.121
R3-05	5/16"	- 5	8,0	0.31	16,9	0.66	13.0	1885	52.0	7540	55	2.17	0.168
R3-06	3/8"	- 6	9,5	0.38	18,5	0.73	11.0	1595	44.0	6380	70	2.76	0.188
R3-08	1/2"	- 8	12,7	0.50	21,7	0.85	9.3	1350	37.2	5400	85	3.35	0.296
R3-10	5/8"	- 10	16,0	0.63	25,9	1.02	8.0	1160	32.0	4640	105	4.13	0.329
R3-12	3/4"	- 12	19,0	0.75	29,0	1.14	7.0	1015	28.0	4060	130	5.12	0.457
R3-16	1"	- 16	25,4	1.00	35,9	1.41	5.5	797	22.0	3188	150	5.91	0.464
R3-20	1.1/4"	- 20	32,0	1.25	42,3	1.67	4.5	650	18.0	2600	190	7.48	0.591
R3-24	1.1/2"	- 24	38,0	1.50	49,6	1.95	4.0	580	16.0	2320	240	9.45	0.853
R3-32	2"	- 32	50,8	2.00	62,3	2.45	3.3	480	13.2	1920	300	11.81	0.907

Note: Sizes - 24 (1.1/2") and - 32 (2") not included in the standards.

COVER: U.S. MSHA APPROVED



The Best Name You Can Get In Hose

## Balflex® SAE 100R4 – 10.1219.

According to SAE J517 type SAE 100R4

### Suction & Delivery hydraulic hose



<b>Inner tube:</b>	seamless oil resistant synthetic rubber
<b>Reinforcement:</b>	textile braids and 1 high strength steel wire helix
<b>Outer tube:</b>	black, oil, weather and abrasion resistant synthetic rubber
<b>Safety factor:</b>	4: 1
<b>Application:</b>	suction, delivery, return & discharge of petroleum base hydraulic fluids
<b>Temperature range:</b>	- 40°C (- 40°F) + 100°C (+ 212°F); Intermittent service: + 120°C (+ 248°F) Max. temperature recommended for water base hydraulic fluids: + 70°C (+ 158°F) Max. temperature recommended for air: + 60°C (+ 140°F)
<b>Fittings:</b>	Balflex® fittings 23 series up to 2" and 44 series from 3" up to 4" with clamps

part number	Ø nom.	dash size	Ø internal		Ø external		working pressure		min. burst pressure		min. bend radius		weight
			mm	inch	mm	inch	MPa	PSI	MPa	PSI	mm	inch	
R4-12	3/4"	- 12	19,0	0.75	34,9	1.38	2.1	315	8.4	1260	127	5.0	0.504
R4-16	1"	- 16	25,4	1.00	41,3	1.63	1.7	255	6.8	1020	152	6.0	0.625
R4-20	1.1/4"	- 20	31,8	1.25	50,8	2.00	1.4	210	5.6	840	203	8.0	0.840
R4-24	1.1/2"	- 24	38,1	1.50	57,2	2.25	1.05	157.5	4.2	630	254	10.0	1.035
R4-32	2"	- 32	50,8	2.00	69,9	2.75	0.7	105	2.8	420	305	12.0	1.344
R4-40	2.1/2"	- 40	63,5	2.50	82,6	3.25	0.4	60	1.6	240	356	14.0	1.680
R4-48	3"	- 48	76,2	3.00	95,3	3.75	0.4	60	1.6	240	457	18.0	2.150
R4-56	3.1/2"	- 56	88,9	3.50	108,0	4.25	0.3	45	1.2	180	533	21.0	2.708
R4-64	4"	- 64	101,6	4.00	121,0	4.75	0.25	37.5	1.0	150	610	24.0	3.387

COVER: U.S. MSHA APPROVED

#### Construction characteristics and dimensions may be changed at anytime without prior notice

The data contained herein is for information purposes only and does not enlarge, amend or imply any warranty other than provided by the manufacturer with the product.

Any use of the product not in conformance with the manufacturer's instruction may be dangerous

Only items in this catalog are carried in stock. Some items are subject to minimum quantities or sold in multiples of standard quantities. Please refer to the price list or contact our commercial department. Prices subject to change without notice.





# Balflex® TEXMASTER 1- 100R6 - DIN EN 854 1TE

The Best Name You Can Get In Hose

## Balflex® DIN EN 854 1TE / SAE 100R6 – 10.1216.

According to ISO 4079 type 1 / DIN EN 854 type 1TE / SAE J517 type SAE 100R6

Medium pressure, single textile braid reinforced hydraulic hose



<b>Inner tube:</b>	seamless oil resistant synthetic rubber
<b>Reinforcement:</b>	1 high resistance synthetic fiber braid
<b>Outer tube:</b>	black, oil, weather and abrasion resistant synthetic rubber
<b>Safety factor:</b>	4: 1
<b>Application:</b>	petroleum base hydraulic fluids
<b>Temperature range:</b>	- 40°C (- 40°F) + 100°C (+ 212°F) Max. temperature recommended for water base hydraulic fluids: + 70°C (+ 158°F) Max. temperature recommended for air: + 50°C (+ 122°F)
<b>Fittings:</b>	Balflex® crimped fittings 23 series with 20.107 series ferrules

part number	Ø nom.	dash size	Ø internal		Ø external		working pressure		min. burst pressure		min. bend radius		weight
			mm	inch	mm	inch	MPa	PSI	MPa	PSI	mm	inch	
1TE-R6-03	3/16"	- 3	4,8	0.19	10,8	0.43	3.4	500	13.8	2000	51	2.0	0.067
1TE-R6-04	1/4"	- 4	6,3	0.25	12,4	0.49	2.8	400	11.0	1600	64	2.5	0.081
1TE-R6-05	5/16"	- 5	8,0	0.31	13,9	0.55	2.8	400	11.0	1600	76	3.0	0.101
1TE-R6-06	3/8"	- 6	9,5	0.38	15,4	0.61	2.8	400	11.0	1600	76	3.0	0.108
1TE-R6-08	1/2"	- 8	12,7	0.50	18,6	0.73	2.8	400	11.0	1600	102	4.0	0.161
1TE-R6-10	5/8"	- 10	16,0	0.63	22,9	0.90	2.4	350	9.7	1400	127	5.0	0.188
1TE-R6-12	3/4"	- 12	19,0	0.75	26,6	1.05	2.1	300	8.3	1200	152	7.0	0.276
1TE-R6-14	7/8"	- 14	22,0	0.87	31,3	1.23	2.2	310	8.8	1240	200	7.9	0.376
1TE-R6-16	1"	- 16	25,4	1.00	33,0	1.30	1.7	250	6.8	1000	203	8.0	0.390

Note: Sizes - 14 (DN 22) 7/8" and - 16 (DN 25) 1" not included in the standards.

COVER: U.S. MSHA APPROVED



## Balflex® EN 855 R7 / SAE 100R7 – 10.1030.

According to ISO 3949 / EN 855 type R7 / SAE J517 type SAE 100R7

### High pressure, synthetic polyester braid reinforced thermoplastic hydraulic hose



<b>Inner tube:</b>	seamless oil resistant thermoplastic
<b>Reinforcement:</b>	1 high tensile polyester braid
<b>Outer tube:</b>	black, oil and weather resistant thermoplastic
<b>Safety factor:</b>	4: 1
<b>Application:</b>	petroleum base hydraulic fluids
<b>Temperature range:</b>	- 40°C (- 40°F) + 100°C (+ 212°F) Max. temperature recommended for water base hydraulic fluids: + 65°C (+ 149°F)
<b>Fittings:</b>	Balflex® crimped fittings 23 series with 20.107 series ferrules

part number	Ø nom.	dash size	Ø internal		Ø external		working pressure		min. burst pressure		min. bend radius		weight
			mm	inch	mm	inch	MPa	PSI	MPa	PSI	mm	inch	
R7-02	1/8"	- 2	3,0	0.12	8,1	0.32	28.0	4060	112.0	16240	50	2.00	0.034
R7-03	3/16"	- 3	4,8	0.19	10,3	0.41	21.0	3045	84.0	12180	75	2.95	0.047
R7-04	1/4"	- 4	6,3	0.25	12,4	0.49	19.0	2755	76.0	11020	100	3.94	0.060
R7-05	5/16"	- 5	8,0	0.31	14,2	0.56	19.0	2755	76.0	11020	114	4.49	0.087
R7-06	3/8"	- 6	9,5	0.38	15,7	0.62	16.0	2320	64.0	9280	127	5.00	0.108
R7-08	1/2"	- 8	12,7	0.50	19,3	0.76	14.0	2030	56.0	8120	178	7.00	0.148
R7-10	5/8"	- 10	16,0	0.63	23,1	0.91	10.5	1523	42.0	6092	203	7.99	0.188
R7-12	3/4"	- 12	19,0	0.75	26,4	1.04	9.0	1305	36.0	5220	254	10.00	0.222
R7-16	1"	- 16	25,4	1.00	33,3	1.31	7.0	1015	28.0	4060	305	12.00	0.269

Note: Size - 2 (1/8") not included in the standards.

#### Construction characteristics and dimensions may be changed at anytime without prior notice

The data contained herein is for information purposes only and does not enlarge, amend or imply any warranty other than provided by the manufacturer with the product.

Any use of the product not in conformance with the manufacturer's instruction may be dangerous

Only items in this catalog are carried in stock. Some items are subject to minimum quantities or sold in multiples of standard quantities. Please refer to the price list or contact our commercial department. Prices subject to change without notice.



# Balflex® SAE 100R7 / EN 855 R7 TWIN

The Best Name You Can Get In Hose

## Balflex® EN 855 R7 / SAE 100R7 TWIN – 10.1034.

According to ISO 3949 / EN 855 type R7 / SAE J517 type SAE 100R7

**High pressure, synthetic polyester braid reinforced thermoplastic hydraulic twin line hose**



<b>Inner tube:</b>	seamless oil resistant thermoplastic
<b>Reinforcement:</b>	1 high tensile polyester braid
<b>Outer tube:</b>	black, oil and weather resistant thermoplastic
<b>Safety factor:</b>	4: 1
<b>Application:</b>	petroleum base hydraulic fluids
<b>Temperature range:</b>	- 40°C (- 40°F) + 100°C (+ 212°F) Max. temperature recommended for water base hydraulic fluids: + 65°C (+ 149°F)
<b>Fittings:</b>	Balflex® crimped fittings 23 series with ferrules 20.107. series

part number	Ø nom.	dash size	Ø internal		Ø external		working pressure		min. burst pressure		min. bend radius		weight
			mm	inch	mm	inch	MPa	PSI	MPa	PSI	mm	inch	
R7-03BT	3/16"	- 3	4,8	0.19	10,3	0.41	21.0	3045	84.0	12180	75	2.95	0.047
R7-04BT	1/4"	- 4	6,3	0.25	12,4	0.49	19.0	2755	76.0	11020	100	3.94	0.060
R7-05BT	5/16"	- 5	8,0	0.31	14,2	0.56	19.0	2755	76.0	11020	114	4.49	0.087
R7-06BT	3/8"	- 6	9,5	0.38	15,7	0.62	16.0	2320	64.0	9280	127	5.00	0.108
R7-08BT	1/2"	- 8	12,7	0.50	19,3	0.76	14.0	2030	56.0	8120	178	7.00	0.148
R7-10BT	5/8"	- 10	16,0	0.63	23,1	0.91	10.5	1523	42.0	6092	203	7.99	0.188
R7-12BT	3/4"	- 12	19,0	0.75	26,4	1.04	9.0	1305	36.0	5220	254	10.00	0.222
R7-16BT	1"	- 16	25,4	1.00	33,3	1.31	7.0	1015	28.0	4060	305	12.00	0.269

**Construction characteristics and dimensions may be changed at anytime without prior notice**

The data contained herein is for information purposes only and does not enlarge, amend or imply any warranty other than provided by the manufacturer with the product.

Any use of the product not in conformance with the manufacturer's instruction may be dangerous

Only items in this catalog are carried in stock. Some items are subject to minimum quantities or sold in multiples of standard quantities. Please refer to the price list or contact our commercial department. Prices subject to change without notice.



## Balflex® EN 855 R7 / SAE 100R7 NON CONDUCTIVE – 10.1030.L

According to ISO 3949 / EN 855 type R7 / SAE J517 type SAE 100R7

**High pressure, synthetic fiber braid reinforced thermoplastic NON CONDUCTIVE hydraulic hose**



<b>Inner tube:</b>	seamless oil resistant thermoplastic
<b>Reinforcement:</b>	1 high tensile polyester braid
<b>Outer tube:</b>	orange, oil and weather resistant polyurethane
<b>Safety factor:</b>	4: 1
<b>Application:</b>	petroleum base hydraulic fluids
<b>Temperature range:</b>	- 40°C (- 40°F) + 100°C (+ 212°F) Max. temperature recommended for water base hydraulic fluids: + 65°C (+ 149°F)
<b>Fittings:</b>	Balflex® crimped fittings 23 series with 20.107 series ferrules

part number	Ø nom.	dash size	Ø internal		Ø external		working pressure		min. burst pressure		min. bend radius		weight
			mm	inch	mm	inch	MPa	PSI	MPa	PSI	mm	inch	
R7-02LNC	1/8"	- 2	3,0	0.12	8,1	0.32	28.0	4060	112.0	16240	50	2.00	0.034
R7-03LNC	3/16"	- 3	4,8	0.19	10,3	0.41	21.0	3045	84.0	12180	75	2.95	0.047
R7-04LNC	1/4"	- 4	6,3	0.25	12,4	0.49	19.0	2755	76.0	11020	100	3.94	0.060
R7-05LNC	5/16"	- 5	8,0	0.31	14,2	0.56	19.0	2755	76.0	11020	114	4.49	0.087
R7-06LNC	3/8"	- 6	9,5	0.38	15,7	0.62	16.0	2320	64.0	9280	127	5.00	0.108
R7-08LNC	1/2"	- 8	12,7	0.50	19,3	0.76	14.0	2030	56.0	8120	178	7.00	0.148
R7-10LNC	5/8"	- 10	16,0	0.63	23,1	0.91	10.5	1523	42.0	6092	203	7.99	0.188
R7-12LNC	3/4"	- 12	19,0	0.75	26,4	1.04	9.0	1305	36.0	5220	254	10.00	0.222
R7-16LNC	1"	- 16	25,4	1.00	33,3	1.31	7.0	1015	28.0	4060	305	12.00	0.269

Note: Size - 2 (1/8") not included in the standards.

**Construction characteristics and dimensions may be changed at anytime without prior notice**

The data contained herein is for information purposes only and does not enlarge, amend or imply any warranty other than provided by the manufacturer with the product.

Any use of the product not in conformance with the manufacturer's instruction may be dangerous

Only items in this catalog are carried in stock. Some items are subject to minimum quantities or sold in multiples of standard quantities. Please refer to the price list or contact our commercial department. Prices subject to change without notice.



# Balflex® SAE 100R7 / EN 855 R7 NON CONDUCTIVE TWIN

The Best Name You Can Get In Hose

## Balflex® EN 855 R7 / SAE 100R7 NON CONDUCTIVE TWIN – 10.1034.L

According to ISO 3949 / EN 855 type R7 / SAE J517 type SAE 100R7

**High pressure, synthetic fiber braid reinforced thermoplastic NON CONDUCTIVE hydraulic twin line hose**



- Inner tube:** seamless oil resistant thermoplastic
- Reinforcement:** 1 high tensile polyester braid
- Outer tube:** orange, oil and weather resistant polyurethane
- Safety factor:** 4: 1
- Application:** petroleum base hydraulic fluids
- Temperature range:** - 40°C (- 40°F) + 100°C (+ 212°F)  
Max. temperature recommended for water base hydraulic fluids: + 65°C (+ 149°F)
- Fittings:** Balflex® crimped fittings 23 series with 20.107 series ferrules

part number	Ø nom.	dash size	Ø internal		Ø external		working pressure		min. burst pressure		min. bend radius		weight
			mm	inch	mm	inch	MPa	PSI	MPa	PSI	mm	inch	
R7-03-TNC	3/16"	- 3	4,8	0.19	10,3	0.41	21.0	3045	84.0	12180	75	2.95	0.047
R7-04-TNC	1/4"	- 4	6,3	0.25	12,4	0.49	19.0	2755	76.0	11020	100	3.94	0.060
R7-05-TNC	5/16"	- 5	8,0	0.31	14,2	0.56	19.0	2755	76.0	11020	114	4.49	0.087
R7-06-TNC	3/8"	- 6	9,5	0.38	15,7	0.62	16.0	2320	64.0	9280	127	5.00	0.108
R7-08-TNC	1/2"	- 8	12,7	0.50	19,3	0.76	14.0	2030	56.0	8120	178	7.00	0.148
R7-10-TNC	5/8"	- 10	16,0	0.63	23,1	0.91	10.5	1523	42.0	6092	203	7.99	0.188
R7-12-TNC	3/4"	- 12	19,0	0.75	26,4	1.04	9.0	1305	36.0	5220	254	10.00	0.222
R7-16-TNC	1"	- 16	25,4	1.00	33,3	1.31	7.0	1015	28.0	4060	305	12.00	0.269

**Construction characteristics and dimensions may be changed at anytime without prior notice**

The data contained herein is for information purposes only and does not enlarge, amend or imply any warranty other than provided by the manufacturer with the product.

Any use of the product not in conformance with the manufacturer's instruction may be dangerous

Only items in this catalog are carried in stock. Some items are subject to minimum quantities or sold in multiples of standard quantities. Please refer to the price list or contact our commercial department. Prices subject to change without notice.



## Balflex® R7 SteelFlex – 10.1031.

**High pressure, steel wire braid reinforced thermoplastic hydraulic hose**



<b>Inner tube:</b>	seamless oil resistant thermoplastic
<b>Reinforcement:</b>	1 high tensile steel wire braid
<b>Outer tube:</b>	black, oil and weather resistant thermoplastic
<b>Safety factor:</b>	4: 1
<b>Application:</b>	petroleum base hydraulic fluids
<b>Temperature range:</b>	- 40°C (- 40°F) + 100°C (+ 212°F) Max. temperature recommended for water base hydraulic fluids: + 65°C (+ 149°F)
<b>Fittings:</b>	Balflex® crimped fittings 23 series with 20.107 series ferrules

part number	Ø nom.	dash size	Ø internal		Ø external		working pressure		min. burst pressure		min. bend radius		weight
			mm	inch	mm	inch	MPa	PSI	MPa	PSI	mm	inch	
R7-02-S	1/8"	- 2	3,0	0.12	6,9	0.27	35.0	5075	140.0	20300	25	1.00	0.067
R7-03-S	3/16"	- 3	4,8	0.19	10,0	0.39	30.0	4350	120.0	17400	30	1.18	0.087
R7-04-S	1/4"	- 4	6,3	0.25	11,9	0.47	27.5	3988	110.0	15952	40	1.57	0.114
R7-05-S	5/16"	- 5	8,0	0.31	14,0	0.55	24.0	3480	96.0	13920	50	1.96	0.148
R7-06-S	3/8"	- 6	9,5	0.38	16,0	0.63	22.0	3190	88.0	12790	60	2.36	0.175
R7-08-S	1/2"	- 8	12,7	0.50	20,5	0.81	17.5	2538	70.0	10152	75	2.95	0.262
R7-10-S	5/8"	- 10	16,0	0.63	23,3	0.92	14.0	2030	56.0	8120	110	4.33	0.276
R7-12-S	3/4"	- 12	19,0	0.75	25,0	0.98	11.5	1668	46.0	6672	150	5.90	0.302
R7-16-S	1"	- 16	25,4	1.00	32,5	1.28	10.0	1450	40.0	5800	230	9.06	0.417

**Construction characteristics and dimensions may be changed at anytime without prior notice**

The data contained herein is for information purposes only and does not enlarge, amend or imply any warranty other than provided by the manufacturer with the product.

Any use of the product not in conformance with the manufacturer's instruction may be dangerous

Only items in this catalog are carried in stock. Some items are subject to minimum quantities or sold in multiples of standard quantities. Please refer to the price list or contact our commercial department. Prices subject to change without notice.



# Balflex® R7 STEELFLEX TWIN

The Best Name You Can Get In Hose

## Balflex® R7 SteelFlex TWIN – 10.1035.

**High pressure, wire steel braid reinforced thermoplastic hydraulic twin line hose**



<b>Inner tube:</b>	seamless oil resistant thermoplastic
<b>Reinforcement:</b>	1 high tensile steel wire braid
<b>Outer tube:</b>	black, oil and weather resistant thermoplastic
<b>Safety factor:</b>	4: 1
<b>Application:</b>	petroleum base hydraulic fluids
<b>Temperature range:</b>	- 40°C (- 40°F) + 100°C (+ 212°F) Max. temperature recommended for water base hydraulic fluids: + 65°C (+ 149°F)
<b>Fittings:</b>	Balflex® crimped fittings 23 series with 20.107 series ferrules

part number	Ø nom.	dash size	Ø internal		Ø external		working pressure		min. burst pressure		min. bend radius		weight
			mm	inch	mm	inch	MPa	PSI	MPa	PSI	mm	inch	
R7-03-ST	3/16"	- 3	4,8	0.19	10,0	0.39	30.0	4350	120.0	17400	30	1.18	0.087
R7-04-ST	1/4"	- 4	6,3	0.25	11,9	0.47	27.5	3988	110.0	15952	40	1.57	0.114
R7-05-ST	5/16"	- 5	8,0	0.31	14,0	0.55	24.0	3480	96.0	13920	50	1.96	0.148
R7-06-ST	3/8"	- 6	9,5	0.38	16,0	0.63	22.0	3190	88.0	12790	60	2.36	0.175
R7-08-ST	1/2"	- 8	12,7	0.50	20,5	0.81	17.5	2538	70.0	10152	75	2.95	0.262
R7-10-ST	5/8"	- 10	16,0	0.63	23,3	0.92	14.0	2030	56.0	8120	110	4.33	0.276
R7-12-ST	3/4"	- 12	19,0	0.75	25,0	0.98	11.5	1668	46.0	6672	150	5.90	0.302
R7-16-ST	1"	- 16	25,4	1.00	32,5	1.28	10.0	1450	40.0	5800	230	9.06	0.417

### Construction characteristics and dimensions may be changed at anytime without prior notice

The data contained herein is for information purposes only and does not enlarge, amend or imply any warranty other than provided by the manufacturer with the product.

Any use of the product not in conformance with the manufacturer's instruction may be dangerous

Only items in this catalog are carried in stock. Some items are subject to minimum quantities or sold in multiples of standard quantities. Please refer to the price list or contact our commercial department. Prices subject to change without notice.



## Balflex® EN 855 R8 / SAE 100R8 – 10.1033.

According to ISO 3949 / EN 855 type R8 / SAE J517 type SAE 100R8

**High pressure, single aramidic braid reinforced thermoplastic hydraulic hose**



<b>Inner tube:</b>	seamless oil resistant thermoplastic
<b>Reinforcement:</b>	1 high tensile aramidic fiber braid
<b>Outer tube:</b>	black, oil and weather resistant thermoplastic
<b>Safety factor:</b>	4: 1
<b>Application:</b>	petroleum base hydraulic fluids
<b>Temperature range:</b>	- 40°C (- 40°F) + 100°C (+ 212°F) Max. temperature recommended for water base hydraulic fluids: + 65°C (+ 149°F)
<b>Fittings:</b>	Balflex® crimped fittings 23 series with 20 series ferrules

part number	Ø nom.	dash size	Ø internal		Ø external		working pressure		min. burst pressure		min. bend radius		weight
			mm	inch	mm	inch	MPa	PSI	MPa	PSI	mm	inch	
R8-03	3/16"	- 3	4,8	0.19	10,3	0.41	35.0	5075	140.0	20300	35	1.38	0.060
R8-04	1/4"	- 4	6,3	0.25	12,4	0.49	35.0	5075	140.0	20300	50	1.96	0.067
R8-05	5/16"	- 5	8,0	0.31	14,2	0.55	30.0	4350	120.0	17400	60	2.36	0.087
R8-06	3/8"	- 6	9,5	0.38	15,7	0.62	28.0	4060	112.0	16240	80	3.15	0.121
R8-08	1/2"	- 8	12,7	0.50	19,3	0.76	24.5	3553	98.0	14212	95	3.74	0.148
R8-10	5/8"	- 10	16,0	0.63	23,1	0.91	20.0	2900	80.0	11600	125	4.92	0.208
R8-12	3/4"	- 12	19,0	0.75	26,4	1.04	16.5	2393	66.0	9572	150	5.90	0.242
R8-16	1"	- 16	25,4	1.00	33,3	1.31	14.0	2030	56.0	8120	200	7.87	0.343

**Construction characteristics and dimensions may be changed at anytime without prior notice**

The data contained herein is for information purposes only and does not enlarge, amend or imply any warranty other than provided by the manufacturer with the product.

Any use of the product not in conformance with the manufacturer's instruction may be dangerous

Only items in this catalog are carried in stock. Some items are subject to minimum quantities or sold in multiples of standard quantities. Please refer to the price list or contact our commercial department. Prices subject to change without notice.





# Balflex® SAE 100R8 / EN 855 R8 TWIN

The Best Name You Can Get In Hose

## Balflex® EN 855 R8 / SAE 100R8 TWIN – 10.1036.

According to ISO 3949 / EN 855 type R8 / SAE J517 type SAE 100R8

**High pressure, single aramidic braid reinforced thermoplastic hydraulic twin line hose**



<b>Inner tube:</b>	seamless oil resistant thermoplastic
<b>Reinforcement:</b>	1 high tensile aramidic fiber braid
<b>Outer tube:</b>	black, oil and weather resistant thermoplastic
<b>Safety factor:</b>	4: 1
<b>Application:</b>	petroleum base hydraulic fluids
<b>Temperature range:</b>	- 40°C (- 40°F) + 100°C (+ 212°F) Max. temperature recommended for water base hydraulic fluids: + 65°C (+ 149°F)
<b>Fittings:</b>	Balflex® crimped fittings 23 series with 20 series ferrules

part number	Ø nom.	dash size	Ø internal		Ø external		working pressure		min. burst pressure		min. bend radius		weight
			mm	inch	mm	inch	MPa	PSI	MPa	PSI	mm	inch	
R8-03-TB	3/16"	- 3	4,8	0.19	10,3	0.41	35.0	5075	140.0	20300	35	1.38	0.121
R8-04-TB	1/4"	- 4	6,3	0.25	12,4	0.49	35.0	5075	140.0	20300	50	1.96	0.134
R8-05-TB	5/16"	- 5	8,0	0.31	14,2	0.55	30.0	4350	120.0	17400	60	2.36	0.175
R8-06-TB	3/8"	- 6	9,5	0.38	15,7	0.62	28.0	4060	112.0	16240	80	3.15	0.242
R8-08-TB	1/2"	- 8	12,7	0.50	19,3	0.76	24.5	3553	98.0	14212	95	3.74	0.296
R8-10-TB	5/8"	- 10	16,0	0.63	23,1	0.91	20.0	2900	80.0	11600	125	4.92	0.417
R8-12-TB	3/4"	- 12	19,0	0.75	26,4	1.04	16.5	2393	66.0	9572	150	5.90	0.484
R8-16-TB	1"	- 16	25,4	1.00	33,3	1.31	14.0	2030	56.0	8120	200	7.87	0.685

**Construction characteristics and dimensions may be changed at anytime without prior notice**

The data contained herein is for information purposes only and does not enlarge, amend or imply any warranty other than provided by the manufacturer with the product.

Any use of the product not in conformance with the manufacturer's instruction may be dangerous

Only items in this catalog are carried in stock. Some items are subject to minimum quantities or sold in multiples of standard quantities. Please refer to the price list or contact our commercial department. Prices subject to change without notice.

# Balflex® SAE 100R8 / EN 855 R8 TWIN - NON CONDUCTIVE



The Best Name You Can Get In Hose

## Balflex® EN 855 R8 / SAE 100R8 TWIN NON CONDUCTIVE – 10.1136.--L

According to ISO 3949 / EN 855 type R8 / SAE J517 type SAE 100R8



<b>Inner tube:</b>	seamless oil resistant thermoplastic
<b>Reinforcement:</b>	1 high tensile aramidic fiber braid
<b>Outer tube:</b>	black, oil and weather resistant thermoplastic
<b>Safety factor:</b>	4: 1
<b>Application:</b>	petroleum base hydraulic fluids
<b>Temperature range:</b>	- 40°C (- 40°F) + 100°C (+ 212°F) Max. temperature recommended for water base hydraulic fluids: + 65°C (+ 149°F)
<b>Fittings:</b>	Balflex® crimped fittings 23 series with 20 series ferrules

part number	Ø nom.	dash size	Ø internal		Ø external		working pressure		min. burst pressure		min. bend radius		weight
			mm	inch	mm	inch	MPa	PSI	MPa	PSI	mm	inch	
R8-03TNC	3/16"	- 3	4,8	0.19	10,3	0.41	35.0	5075	140.0	20300	35	1.38	0.121
R8-04TNC	1/4"	- 4	6,3	0.25	12,4	0.49	35.0	5075	140.0	20300	50	1.96	0.134
R8-05TNC	5/16"	- 5	8,0	0.31	14,2	0.55	30.0	4350	120.0	17400	60	2.36	0.175
R8-06TNC	3/8"	- 6	9,5	0.38	15,7	0.62	28.0	4060	112.0	16240	80	3.15	0.242
R8-08TNC	1/2"	- 8	12,7	0.50	19,3	0.76	24.5	3553	98.0	14212	95	3.74	0.296
R8-10TNC	5/8"	- 10	16,0	0.63	23,1	0.91	20.0	2900	80.0	11600	125	4.92	0.417
R8-12TNC	3/4"	- 12	19,0	0.75	26,4	1.04	16.5	2393	66.0	9572	150	5.90	0.484
R8-16TNC	1"	- 16	25,4	1.00	33,3	1.31	14.0	2030	56.0	8120	200	7.87	0.685

### Construction characteristics and dimensions may be changed at anytime without prior notice

The data contained herein is for information purposes only and does not enlarge, amend or imply any warranty other than provided by the manufacturer with the product.

Any use of the product not in conformance with the manufacturer's instruction may be dangerous

Only items in this catalog are carried in stock. Some items are subject to minimum quantities or sold in multiples of standard quantities. Please refer to the price list or contact our commercial department. Prices subject to change without notice.



# Balflex® Balflon SAE 100R14

The Best Name You Can Get In Hose

## Balflex® BALFLON SAE 100R14 – AMERICAN SIZE – 10.2000.

According to SAE J517 type SAE 100R14 A

**High pressure, single steel wire reinforced hydraulic hose with smooth PTFE lining**



**Inner tube:** seamless smooth polytetrafluorethylene (PTFE)

**Cover:** 1 stainless steel wire braid

**Safety factor:** 4: 1

**Application:** water base, petroleum base or synthetic base hydraulic fluids, corrosive, food liquids and high temperature gases and liquids.

**Temperature range:** - 50°C (- 58°F) + 200°C (+ 392°F)

**Fittings:** Balflex® crimped fittings 23 series with 20.107 series ferrules

part number	Ø nom.	dash size	Ø internal		Ø external		working pressure		min. burst pressure		min. bend radius		weight
			mm	inch	mm	inch	MPa	PSI	MPa	PSI	mm	inch	
R14-03	1/8"	- 3	3,2	0.13	6,3	0.25	27.5	3900	110.0	15600	40	1.57	0.047
R14-04	3/16"	- 4	4,8	0.19	7,6	0.30	19.0	2755	76.0	11020	55	1.97	0.047
R14-05	1/4"	- 5	6,3	0.25	8,8	0.35	18.0	2610	72.0	10440	75	2.95	0.060
R14-06	5/16"	- 6	8,0	0.31	11,0	0.43	17.5	2538	70.0	10152	100	3.94	0.087
R14-08	13/32"	- 8	10,3	0.41	13,0	0.51	14.2	2059	56.8	8236	120	4.72	0.108
R14-10	1/2"	- 10	12,7	0.50	15,7	0.62	12.0	1740	48.0	6960	140	5.51	0.141
R14-12	5/8"	- 12	16,0	0.63	19,3	0.76	10.5	1523	42.0	6092	165	6.50	0.175
R14-16	7/8"	- 16	22,0	0.88	26,1	1.03	6.8	970	27.2	3880	240	9.45	0.242
R14-20	1.1/8"	- 20	28,6	1.13	32,6	1.28	4.4	638	17.6	2552	330	13.0	0.356

## Balflex® BALFLON SAE 100R14 – EUROPEAN SIZE – 10.2003.

According to SAE J517 type SAE 100R14 A

**Inner tube:** seamless smooth polytetrafluorethylene (PTFE)

**Cover:** 1 stainless steel wire braid

**Safety factor:** 4: 1

**Application:** water base, petroleum base or synthetic base hydraulic fluids, corrosive, food liquids and high temperature gases and liquids.

**Temperature range:** - 50°C (- 58°F) + 200°C (+ 392°F)

**Fittings:** Balflex® crimped fittings 23 series with 20.107 series ferrules

part number	Ø nom.	dash size	Ø internal		Ø external		working pressure		min. burst pressure		min. bend radius		weight
			mm	inch	mm	inch	MPa	PSI	MPa	PSI	mm	inch	
R14-02-TB	1/8"	- 2	3,2	0.13	6,3	0.25	27.5	3900	110.0	15600	40	1.57	0.047
R14-03-TB	3/16"	- 3	4,8	0.19	7,6	0.30	19.0	2755	76.0	11020	55	1.97	0.047
R14-04-TB	1/4"	- 4	6,3	0.25	8,8	0.35	18.0	2610	72.0	10440	75	2.95	0.060
R14-05-TB	5/16"	- 5	8,0	0.31	11,0	0.43	17.5	2538	70.0	10152	100	3.94	0.087
R14-06-TB	3/8"	- 6	9,5	0.38	12,1	0.48	16.5	2393	66.0	9572	110	4.33	0.101
R14-08-TB	1/2"	- 8	12,7	0.50	15,7	0.62	12.0	1740	48.0	6960	140	5.51	0.141
R14-10-TB	5/8"	- 10	16,0	0.63	19,3	0.76	10.5	1523	42.0	6092	165	6.50	0.175
R14-12-TB	3/4"	- 12	19,0	0.75	22,2	0.87	8.6	1247	34.4	4988	200	7.87	0.215
R14-16-TB	1"	- 16	25,4	1.00	29,1	1.15	6.0	870	24.0	3480	300	11.8	0.302

Construction characteristics and dimensions may be changed at anytime without prior notice

The data contained herein is for information purposes only and does not enlarge, amend or imply any warranty other than provided by the manufacturer with the product.

Any use of the product not in conformance with the manufacturer's instruction may be dangerous

Only items in this catalog are carried in stock. Some items are subject to minimum quantities or sold in multiples of standard quantities. Please refer to the price list or contact our commercial department. Prices subject to change without notice.



The Best Name You Can Get In Hose

## Balflex® BALFLON CORRUGATED – 10.2010.

High pressure, single Stainless Steel wire braid reinforced corrugated PTFE hose



**Inner tube:** seamless corrugated polytetrafluorethylene (PTFE)  
**Cover:** 1 stainless steel wire braid  
**Safety factor:** 4: 1  
**Application:** water base, petroleum base, corrosive and high temperature gases or fluids  
**Temperature range:** - 50°C (- 58°F) + 200°C (+ 392°F)  
**Fittings:** Balflex® crimped fittings 23 series with 20.107\* & 20.TFC series ferrules

part number	Ø nom	dash size	Ø internal		Ø external		working pressure		min. burst pressure		min. bend radius		weight
			mm	inch	mm	inch	MPa	PSI	MPa	PSI	mm	inch	
R14-06-CV	3/8"	- 6	10,0	0.39	15,0	0.59	12,0	1740	48,0	6960	20	0.79	0.087
R14-08-CV	1/2"	- 8	13,0	0.51	18,0	0.71	11,0	1595	44,0	6380	25	0.98	0.101
R14-10-CV	5/8"	- 10	16,0	0.63	22,0	0.87	8,0	1160	32,0	4640	50	1.97	0.108
R14-12-CV	3/4"	- 12	19,5	0.77	26,0	1.02	7,0	1015	28,0	4060	65	2.56	0.141
R14-16-CV	1"	- 16	25,5	1.00	33,0	1.30	5,0	725	20,0	2900	89	3.50	0.175
R14-20-CV	1.1/4"	- 20	31,5	1.24	38,0	1.50	4,5	653	18,0	2610	110	4.33	0.215
R14-24-CV	1.1/2"	- 24	37,5	1.48	44,5	1.75	4,0	580	16,0	2320	120	4.72	0.242
R14-32-CV	2"	- 32	50,5	1.99	57,0	2.24	3,0	435	14,0	2030	120	4.72	0.302

## Balflex® BLACK CONDUCTIVE BALFLON CORRUGATED – 10.2010.--B

High pressure, single Stainless Steel wire braid reinforced black conductive corrugated PTFE hose



**Inner tube:** seamless black conductive corrugated polytetrafluorethylene (PTFE)  
**Cover:** 1 high resistance stainless steel wire braid  
**Safety factor:** 4: 1  
**Application:** water base, petroleum base, corrosive and high temperature gases or fluids  
**Temperature range:** - 50°C (- 58°F) + 200°C (+ 392°F)  
**Fittings:** Balflex® crimped fittings 23 series with 20.107\* & 20.TFC series ferrules

part number	Ø nom	dash size	Ø internal		Ø external		working pressure		min. burst pressure		min. bend radius		weight
			mm	inch	mm	inch	MPa	PSI	MPa	PSI	mm	inch	
R14-06-CV-B	3/8"	- 6	10,0	0.39	15,0	0.59	12,0	1740	48,0	6960	20	0.79	0.087
R14-08-CV-B	1/2"	- 8	13,0	0.51	18,0	0.71	11,0	1595	44,0	6380	25	0.98	0.101
R14-10-CV-B	5/8"	- 10	16,0	0.63	22,0	0.87	8,0	1160	32,0	4640	50	1.97	0.108
R14-12-CV-B	3/4"	- 12	19,5	0.77	26,0	1.02	7,0	1015	28,0	4060	65	2.56	0.141
R14-16-CV-B	1"	- 16	25,5	1.00	33,0	1.30	5,0	725	20,0	2900	89	3.50	0.175
R14-20-CV-B	1.1/4"	- 20	31,5	1.24	38,0	1.50	4,5	653	18,0	2610	110	4.33	0.215
R14-24-CV-B	1.1/2"	- 24	37,5	1.48	44,5	1.75	4,0	580	16,0	2320	120	4.72	0.242
R14-32-CV-B	2"	- 32	50,5	1.99	57,0	2.24	3,0	435	14,0	2030	120	4.72	0.302

\*\*\* When using 20.107\* Ferrules, application requires using PTFE Tape on the fitting nipple to prevent Ferrule from biting into inner walls of hose...

### Construction characteristics and dimensions may be changed at anytime without prior notice

The data contained herein is for information purposes only and does not enlarge, amend or imply any warranty other than provided by the manufacturer with the product.

Any use of the product not in conformance with the manufacturer's instruction may be dangerous

Only items in this catalog are carried in stock. Some items are subject to minimum quantities or sold in multiples of standard quantities. Please refer to the price list or contact our commercial department. Prices subject to change without notice.



# Balflex® PAINT SPRAY

The Best Name You Can Get In Hose

## Balflex® PAINT SPRAY – 10.1040.

### Paint Spray hose 1 steel wire Braid



- Inner tube:** internal core in polyamide
- Reinforcement:** 1 high tensile steel wire braid
- Outer tube:** blue pin pricked polyurethane high abrasion resistance
- Safety factor:** 4: 1
- Application:** high pressure airless spray systems, chemical resistance to solvents and aggressive fluids
- Temperature range:** - 40°C (- 40°F) + 100°C (+ 212°F) max. temperature recommended for water base hydraulic fluids and air: + 70°C (+ 158°F)
- Fittings:** crimped Balflex® PaintSpray coupling series

part number	Ø nom	dash size	Ø internal		Ø external		working pressure		min. burst pressure		min. bend radius		weight
			mm	inch	mm	inch	MPa	PSI	MPa	PSI	mm	inch	
PS-03	3/16"	- 3	4,8	0.19	9,7	0.38	35.0	5000	140.0	20000	30	1.2	0.087
PS-04	1/4"	- 4	6,3	0.25	11,7	0.46	32.0	4650	128.0	18600	40	1.8	0.114
PS-05	5/16"	- 5	8,0	0.31	13,6	0.54	27.5	4000	110.0	16000	50	2.0	0.148
PS-06	3/8"	- 6	9,5	0.38	15,2	0.60	25.0	3600	100.0	14400	60	2.4	0.175
PS-08	1/2"	- 8	12,7	0.50	18,4	0.72	19.0	2750	76.0	11000	75	3.0	0.262
PS-12	3/4"	12	19,0	0.75	25,7	1.01	12.0	1750	48.0	7000	150	6.0	0.302

## Balflex® PAINT SPRAY – 10.1041.

### Paint Spray hose 2 steel wire braids



- Inner tube:** internal core in polyamide
- Reinforcement:** 2 high tensile steel wire braids
- Outer tube:** blue pin pricked polyurethane high abrasion resistance
- Safety factor:** 4: 1
- Application:** high pressure airless spray systems, chemical resistance to solvents and aggressive fluids
- Temperature range:** - 40°C (- 40°F) + 100°C (+ 212°F) max. temperature recommended for water base hydraulic fluids and air: + 70°C (+ 158°F)
- Fittings:** crimped Balflex® PaintSpray coupling series

part number	Ø nom	dash size	Ø internal		Ø external		working pressure		min. burst pressure		min. bend radius		weight
			mm	inch	mm	inch	MPa	PSI	MPa	PSI	mm	inch	
PS2-04	1/4"	- 4	6,3	0.25	13,7	0.54	45.0	6500	180.0	26000	100	3.9	0.181
PS2-05	5/16"	- 5	8,0	0.31	15,2	0.60	40.0	5800	160.0	23200	110	4.3	0.215
PS2-06	3/8"	- 6	9,5	0.38	17,5	0.69	38.0	5500	152.0	22000	127	5.0	0.242
PS2-08	1/2"	- 8	12,7	0.50	21,1	0.83	30.0	4350	120.0	17400	178	7.0	0.329
PS2-12	3/4"	- 12	19,0	0.75	28,6	1.13	16.0	2300	64.0	9200	250	9.8	0.370

Construction characteristics and dimensions may be changed at anytime without prior notice

The data contained herein is for information purposes only and does not enlarge, amend or imply any warranty other than provided by the manufacturer with the product.

Any use of the product not in conformance with the manufacturer's instruction may be dangerous

Only items in this catalog are carried in stock. Some items are subject to minimum quantities or sold in multiples of standard quantities. Please refer to the price list or contact our commercial department. Prices subject to change without notice.

# Balflex® PAINT SPRAY ARAMIDIC



The Best Name You Can Get In Hose

## Balflex® PAINT SPRAY – 10.1042.

### Paint Spray hose 1 or 2 aramidic braids



- Inner tube:** internal core in polyamide
- Reinforcement:** 1 or 2 high tensile aramidic braid with antistatic polymeric braid
- Outer tube:** blue pin pricked polyurethane high abrasion resistance
- Safety factor:** 4: 1
- Application:** high pressure airless spray systems, chemical resistance to solvents and aggressive fluids
- Temperature range:** - 40°C (- 40°F) + 100°C (+ 212°F) max. temperature recommended for water base hydraulic fluids and air: + 70°C (+ 158°F)
- Fittings:** crimped Balflex® PaintSpray fitting series

part number	Ø nom	dash size	Ø internal		Ø external		working pressure		min. burst pressure		min. bend radius		weight
			mm	inch	mm	inch	MPa	PSI	MPa	PSI	mm	inch	
PSA-03	3/16"	- 3	4,8	0.19	10,3	0.41	35.0	5000	140.0	20000	50	2.0	0.060
PSA-04	1/4"	- 4	6,3	0.25	12,4	0.49	35.0	5000	140.0	20000	75	3.0	0.067
PSA-06	3/8"	- 6	9,5	0.38	15,7	0.62	30.0	4350	120.0	17400	100	4.0	0.121
PSA-08	1/2"	- 8	12,7	0.50	19,3	0.76	24.5	3500	98.0	14000	120	4.7	0.148

#### Construction characteristics and dimensions may be changed at anytime without prior notice

The data contained herein is for information purposes only and does not enlarge, amend or imply any warranty other than provided by the manufacturer with the product.

Any use of the product not in conformance with the manufacturer's instruction may be dangerous

Only items in this catalog are carried in stock. Some items are subject to minimum quantities or sold in multiples of standard quantities. Please refer to the price list or contact our commercial department. Prices subject to change without notice.



## Balflex® JETCLEAN – 10.1039.

### Sewer jet cleaning hose



<b>Inner tube:</b>	internal core in poliester
<b>Reinforcement:</b>	2 high tensile aramidic fiber braids
<b>Outer tube:</b>	orange polyurethane high abrasion resistance
<b>Safety factor:</b>	2.5: 1
<b>Application:</b>	sewer cleaning with high pressure water
<b>Temperature range:</b>	- 40°C (- 40°F) + 65°C (+ 149°F)
<b>Fittings:</b>	crimped Balflex® Jetclean fitting series

part number	Ø nom	dash size	Ø internal		Ø external		working pressure		min. burst pressure		min. bend radius		weight
			mm	inch	mm	inch	MPa	PSI	MPa	PSI	mm	inch	lb/ft
JC-08	1/2"	- 8	13,0	0.51	20,3	0.80	24.1	3500	60.3	8750	100	4.0	0.141
JC-10	5/8"	- 10	16,0	0.63	25,6	1.01	20.7	3000	51.7	7500	125	5.0	0.235
JC-12	3/4"	- 12	19,0	0.75	29,8	1.17	20.7	3000	51.8	7500	125	5.0	0.323
JC-16	1"	- 16	25,4	1.00	36,5	1.44	20.7	3000	51.8	7500	150	6.0	0.390

The Balflex® Sewer JETCLEAN hose can be supplied in different lengths

**Construction characteristics and dimensions may be changed at anytime without prior notice**

The data contained herein is for information purposes only and does not enlarge, amend or imply any warranty other than provided by the manufacturer with the product.

Any use of the product not in conformance with the manufacturer's instruction may be dangerous

Only items in this catalog are carried in stock. Some items are subject to minimum quantities or sold in multiples of standard quantities. Please refer to the price list or contact our commercial department. Prices subject to change without notice.



## THERMOPLASTIC HOSE FOR CONVEYING URETHANE FOAM COMPONENTS AND MOISTURE SENSITIVE CHEMICALS - 10.1131



<b>Inner tube:</b>	seamless polyolefin core tube
<b>Reinforcement:</b>	braids of synthetic fiber
<b>Outer tube:</b>	blue, pin-pricked special polyurethane. Other colors available
<b>Safety Factor:</b>	conveying urethane foam components. Moisture sensitive chemicals
<b>Application:</b>	4: 1
<b>Temperature range:</b>	- 40°C (- 40°F) + 60°C (+ 140°F)
<b>Fittings:</b>	Balflex® crimped fittings 23 series

part number	Ø nom.	dash size	Ø internal		Ø external		working pressure		min. burst pressure		min. bend radius		weight
			mm	inch	mm	inch	MPa	PSI	MPa	PSI	mm	inch	
MC-04	1/4"	- 4	6,3	0.25	13,2	0.52	19.0	2750	76.0	11000	32	1.3	0.067
MC-06	3/8"	- 6	9,5	0.38	16,6	0.66	15.5	2250	62.0	9000	51	2.0	0.089
MC-08	1/2"	- 8	12,7	0.50	20,6	0.81	13.8	2000	55.2	8000	76	3.0	0.122
MC-12	3/4"	- 12	19,0	0.75	29,0	1.14	10.3	1500	41.4	6000	127	5.0	0.247
MC-16	1"	- 16	25,4	1.00	37,0	1.46	10.3	1500	41.4	6000	203	8.0	0.372

**Construction characteristics and dimensions may be changed at anytime without prior notice**

The data contained herein is for information purposes only and does not enlarge, amend or imply any warranty other than provided by the manufacturer with the product.

Any use of the product not in conformance with the manufacturer's instruction may be dangerous

Only items in this catalog are carried in stock. Some items are subject to minimum quantities or sold in multiples of standard quantities. Please refer to the price list or contact our commercial department. Prices subject to change without notice.





# Balflex® SUPERJACK

The Best Name You Can Get In Hose

## Balflex® SUPERJACK – 10.1046. - 2 steel braids

High pressure, double steel wire braid reinforced thermoplastic hydraulic hose



<b>Inner tube:</b>	seamless oil resistant thermoplastic
<b>Reinforcement:</b>	2 high tensile steel wire braid
<b>Outer tube:</b>	orange, oil and weather resistant polyurethane
<b>Safety factor:</b>	2.5: 1 on 1/4" hose and 2.1: 1 on 3/8" size
<b>Application:</b>	high pressure hydraulic systems, hydraulic jacks, rescue equipments, safety equipments, earthmoving equipments and mining equipments.
<b>Temperature range:</b>	- 40°C (- 40°F) + 100°C (+ 212°F) Max. temperature recommended for water base hydraulic fluids: + 65°C (+ 149°F)
<b>Fittings:</b>	Balflex® crimped fittings 23 series

part number	Ø nom.	dash size	Ø internal		Ø external		working pressure		min. burst pressure		min. bend radius		weight
			mm	inch	mm	inch	MPa	PSI	MPa	PSI	mm	inch	
SJ-04	1/4"	- 4	6,3	0.25	14,1	0.56	700	10000	1750	25000	100	3.94	0.195
SJ-06	3/8"	- 6	9,5	0.38	17,5	0.69	700	10000	1500	21750	150	5.91	0.282

### Construction characteristics and dimensions may be changed at anytime without prior notice

The data contained herein is for information purposes only and does not enlarge, amend or imply any warranty other than provided by the manufacturer with the product.

Any use of the product not in conformance with the manufacturer's instruction may be dangerous

Only items in this catalog are carried in stock. Some items are subject to minimum quantities or sold in multiples of standard quantities. Please refer to the price list or contact our commercial department. Prices subject to change without notice.

# Balflex® SUPERJACK HIGH PRESSURE - 4:1



The Best Name You Can Get In Hose

## Balflex® SUPERJACK – 10.1146. - 1 steel + 1 aramidic braids

**High pressure, one steel wire braid and one aramidic braid reinforced thermoplastic hydraulic hose**



<b>Inner tube:</b>	seamless oil resistant thermoplastic
<b>Reinforcement:</b>	1 high tensile steel wire braid and 1 high tensile aramidic braid
<b>Outer tube:</b>	orange, oil and weather resistant polyurethane
<b>Safety factor:</b>	4: 1
<b>Application:</b>	high pressure hydraulic systems, hydraulic jacks, rescue equipments, safety equipments, earthmoving equipments and mining equipments.
<b>Temperature range:</b>	- 40°C (- 40°F) + 100°C (+ 212°F) Max. temperature recommended for water base hydraulic fluids: + 65°C (+ 149°F)
<b>Fittings:</b>	Balflex® crimped fittings 23 series

part number	Ø nom.	dash size	Ø internal		Ø external		working pressure		min. burst pressure		min. bend radius		weight
			mm	inch	mm	inch	MPa	PSI	MPa	PSI	mm	inch	
<b>SJ4-04</b>	<b>1/4"</b>	<b>- 4</b>	<b>6,3</b>	<b>0.25</b>	<b>14,1</b>	<b>0.56</b>	<b>700</b>	<b>10000</b>	<b>2800</b>	<b>40000</b>	<b>70</b>	<b>2.76</b>	<b>0.195</b>
<b>SJ4-06</b>	<b>3/8"</b>	<b>- 6</b>	<b>9,5</b>	<b>0.38</b>	<b>17,5</b>	<b>0.69</b>	<b>700</b>	<b>10000</b>	<b>2800</b>	<b>40000</b>	<b>100</b>	<b>3.94</b>	<b>0.282</b>

**Construction characteristics and dimensions may be changed at anytime without prior notice**

The data contained herein is for information purposes only and does not enlarge, amend or imply any warranty other than provided by the manufacturer with the product.

Any use of the product not in conformance with the manufacturer's instruction may be dangerous

Only items in this catalog are carried in stock. Some items are subject to minimum quantities or sold in multiples of standard quantities. Please refer to the price list or contact our commercial department. Prices subject to change without notice.



# Balflex® BRAKEMASTER - SAE 100R5 - D.O.T

The Best Name You Can Get In Hose

## Balflex® SAE 100R5 / SAE J 1402 All – 10.1007.

According to SAE J517 type SAE 100R5 / SAE J 1402 type All

High pressure hydraulic hose with steel and textile braids reinforcement with rubber impregnated textile cover



<b>Inner tube:</b>	seamless oil resistant synthetic rubber
<b>Reinforcement:</b>	2 high resistance synthetic textile braids with an intermediate high tensile steel wire braid
<b>Outer tube:</b>	impregnation of the outer textile braid with black, oil, weather and abrasion resistant synthetic rubber
<b>Safety factor:</b>	4: 1
<b>Application:</b>	petroleum base hydraulic fluids
<b>Temperature range:</b>	- 40°C (- 40°F) + 100°C (+ 212°F); Intermittent service: + 120°C (+ 248°F) Max. temperature recommended for water base hydraulic fluids: + 70°C (+ 158°F) Max. temperature recommended for air: + 60°C (+ 140°F)
<b>Fittings:</b>	Balflex® crimped fittings P25 series

part number	Ø nom.	dash size	Ø internal		Ø external		working pressure		min. burst pressure		min. bend radius		weight
			mm	inch	mm	inch	MPa	PSI	MPa	PSI	mm	inch	
R5-04	3/16"	- 4	4,8	0.19	13,2	0.52	20.7	3000	82.8	12000	76	3.00	0.128
R5-05	1/4"	- 5	6,3	0.25	14,8	0.60	20.7	3000	82.8	12000	86	3.38	0.181
R5-06	5/16"	- 6	8,0	0.31	17,2	0.68	15.5	2250	62.0	9000	102	4.00	0.195
R5-08	13/32"	- 8	10,4	0.41	19,5	0.77	13.8	2000	55.2	8000	117	4.62	0.242
R5-10	1/2"	- 10	12,7	0.50	23,4	0.92	12.1	1755	48.3	7020	140	5.50	0.302
R5-12	5/8"	- 12	16,0	0.63	27,4	1.08	10.3	1495	41.4	5980	165	6.50	0.376
R5-16	7/8"	- 16	22,2	0.88	31,4	1.24	5.5	800	22.1	3200	187	7.38	0.524
R5-20	1.1/8"	- 20	28,6	1.13	38,1	1.50	4.3	625	17.2	2500	229	9.00	0.712
R5-24	1.3/8"	- 24	34,9	1.38	44,5	1.75	3.4	500	13.8	2000	267	10.50	0.974
R5-32	1.13/16"	- 32	46,0	1.81	56,4	2.22	2.4	350	9.7	1400	337	13.20	1.142
R5-40	2.3/8"	- 40	60,3	2.38	73,0	2.87	2.4	350	9.7	1400	610	24.00	1.445
R5-48	3"	- 48	76,2	3.00	90,5	3.56	1.4	200	5.5	800	838	33.00	2.070

### Construction characteristics and dimensions may be changed at anytime without prior notice

The data contained herein is for information purposes only and does not enlarge, amend or imply any warranty other than provided by the manufacturer with the product.

Any use of the product not in conformance with the manufacturer's instruction may be dangerous

Only items in this catalog are carried in stock. Some items are subject to minimum quantities or sold in multiples of standard quantities. Please refer to the price list or contact our commercial department. Prices subject to change without notice.



The Best Name You Can Get In Hose

## Balflex® HEATMASTER SAE 100R5R 150°C / 302°F – 10.1006.--HT

According to SAE J517 type SAE 100R5

High pressure HIGH TEMPERATURE hydraulic hose with steel and textile braid reinforcement with blue pin-pricked rubber cover

## HIGH TEMPERATURE

+ 150°C (+ 302°F) intermittent service + 135°C (+ 275°F) continuous service



<b>Inner tube:</b>	seamless oil resistant synthetic rubber
<b>Reinforcement:</b>	2 high resistance synthetic textile braids with an intermediate high tensile steel wire braid
<b>Outer tube:</b>	blue, pin-pricked, weather and abrasion resistant synthetic rubber
<b>Safety factor:</b>	4: 1
<b>Application:</b>	petroleum base hydraulic fluids and hot air in compressors
<b>Temperature range:</b>	intermittent: - 40°C (- 40°F) + 150°C (+ 302°F); continuous service + 125°C (+ 257°F) Max. temperature recommended for water base hydraulic fluids: + 70°C (+ 158°F) Max. temperature recommended for air: + 135°C (+ 275°F)
<b>Fittings:</b>	Balflex® crimped fittings P25 series

part number	Ø nom.	dash size	Ø internal		Ø external		working pressure		min. burst pressure		min. bend radius		weight
			mm	inch	mm	inch	MPa	PSI	MPa	PSI	mm	inch	
R5R-04-HT	3/16"	- 4	4,8	0.19	13,2	0.52	20,7	3000	82,8	12000	76	3.00	0.128
R5R-05-HT	1/4"	- 5	6,3	0.25	14,8	0.60	20,7	3000	82,8	12000	86	3.38	0.181
R5R-06-HT	5/16"	- 6	8,0	0.31	17,2	0.68	15,5	2250	62,0	9000	102	4.00	0.195
R5R-08-HT	13/32"	- 8	10,4	0.41	19,5	0.77	13,8	2000	55,2	8000	117	4.62	0.242
R5R-10-HT	1/2"	- 10	12,7	0.50	23,4	0.92	12,1	1755	48,3	7020	140	5.50	0.302
R5R-12-HT	5/8"	- 12	16,0	0.63	27,4	1.08	10,3	1495	41,4	5980	165	6.50	0.376
R5R-16-HT	7/8"	- 16	22,2	0.88	31,4	1.24	5,5	800	22,1	3200	187	7.38	0.524
R5R-20-HT	1.1/8"	- 20	28,6	1.13	38,1	1.50	4,3	625	17,2	2500	229	9.00	0.712
R5R-24-HT	1.3/8"	- 24	34,9	1.38	44,5	1.75	3,4	500	13,8	2000	267	10.50	0.974
R5R-32-HT	1.13/16"	- 32	46,0	1.81	56,4	2.22	2,4	350	9,7	1400	337	13.20	1.142
R5R-40-HT	2.3/8"	- 40	60,3	2.38	73,0	2.87	2,4	350	9,7	1400	610	24.00	1.445
R5R-48-HT	3"	- 48	76,2	3.00	90,5	3.56	1,4	200	5,5	800	838	33.00	2.070

COVER: U.S. MSHA APPROVED

**WARNING: THIS HOSE IS A HIGH TEMPERATURE HYDRAULIC HOSE BUT CANNOT BE USED WITH PHOSPHATE-ESTER BASED OILS. AND CANNOT BE USED IN AIRCRAFTS**

Construction characteristics and dimensions may be changed at anytime without prior notice

The data contained herein is for information purposes only and does not enlarge, amend or imply any warranty other than provided by the manufacturer with the product.

Any use of the product not in conformance with the manufacturer's instruction may be dangerous

Only items in this catalog are carried in stock. Some items are subject to minimum quantities or sold in multiples of standard quantities. Please refer to the price list or contact our commercial department. Prices subject to change without notice.



# Balflex® PETROTANK TRUCK 50

The Best Name You Can Get In Hose

## Balflex® PETROTANK TRUCK 50 S & D PETROLEUM – 10.1245.

Coils up to 61 meters / 200 feet

Coils up to 40 meters/ 131 feet on sizes 5", 6" and 8"



## 50% AROMATICS

<b>Inner tube:</b>	synthetic smooth elastomer compound resistant to mineral oil products and fuel mixtures with aromatic content up to 50%, with antistatic characteristics
<b>Reinforcement:</b>	high tensile synthetic textile cords, steel helix, one crossing antistatic wire
<b>Outer tube:</b>	black, high oil, weather, heat, abrasion and ozone resistant blend of synthetic elastomer compound
<b>Safety factor:</b>	3: 1
<b>Application:</b>	tank truck hose for transport, suction & delivery, of mineral oil products and fuel mixtures with aromatic content up to 50%.
<b>Temperature range:</b>	- 40°C (- 40°F) + 100°C (+ 212°F)

part number	Ø nom	dash size	Ø internal		Ø external		working pressure		min. burst pressure		min. bend radius		negative pressure		weight
			mm	inch	mm	inch	MPa	PSI	MPa	PSI	mm	inch	MPa	PSI	
SD-1-PETRO	1"	- 16	25,4	1.00	35,0	1.38	1.0	150	3.0	450	100	3.94	0.8	12	0.477
SD-1.25-PETRO	1.1/4"	- 20	31,8	1.25	42,0	1.65	1.0	150	3.0	450	128	5.04	0.8	12	0.645
SD-1.5-PETRO	1.1/2"	- 24	38,1	1.50	49,0	1.93	1.0	150	3.0	450	152	5.98	0.8	12	0.833
SD-2-PETRO	2"	- 32	50,8	2.00	63,0	2.48	1.0	150	3.0	450	204	8.03	0.8	12	1.142
SD-2.5-PETRO	2.1/2"	- 40	63,5	2.50	76,0	2.99	1.0	150	3.0	450	252	9.92	0.8	12	1.586
SD-3-PETRO	3"	- 48	76,2	3.00	90,0	3.54	1.0	150	3.0	450	304	11.97	0.8	12	2.090
SD-4-PETRO	4"	- 64	101,6	4.00	116,0	4.57	1.0	150	3.0	450	408	16.06	0.8	12	2.668
SD-5-PETRO	5"	- 80	127,0	5.00	146,0	5.75	1.0	150	3.0	450	572	22.52	0.8	12	5.214
SD-6-PETRO	6"	- 96	152,4	6.00	172,0	6.77	1.0	150	3.0	450	760	29.92	0.8	12	6.014
SD-8-PETRO	8"	- 128	203,0	8.00	225,0	8.86	1.0	150	3.0	450	1015	39.96	0.8	12	9.025



## Balflex® HYDRAULIC AND INDUSTRIAL HOSE FLAT GUARD – 11.103.

### High Density Polyethylene Protection Spring Guard Black Colour



<b>Raw Material :</b>	high density polyethylene resistant to abrasion and UV rays
<b>Color :</b>	black
<b>Temperature range :</b>	- 20°C (- 4°F) + 95°C (- 203°F)
<b>Application :</b>	protection of external rubber layer of hydraulic and industrial hoses, against the early wearing due to abrasion

Part number	Range	
	mm	inch
SG-09-15	9-15	0.35 – 0.59
SG-14-20	14-20	0.55 – 0.79
SG-18-24	18-24	0.71 – 0.94
SG-22-30	22-30	0.87 – 1.18
SG-30-38	30-38	1.18 – 1.50
SG-36-45	36-45	1.42 – 1.77
SG-44-65	44-60	1.73 – 2.36
SG-58-70	58-70	2.28 – 2.76
SG-65-78	65-78	2.56 – 3.08
SG-80-98	80-98	3.15 – 3.86
SG-96-116	96-116	3.78 – 4.57

## Balflex® HYDRAULIC AND INDUSTRIAL HOSE FLAT GUARD – 11.103.Y

### High Density Polyethylene Protection Spring Guard Yellow colour



<b>Raw Material :</b>	high density polyethylene resistant to abrasion and UV rays
<b>Color :</b>	yellow
<b>Temperature range :</b>	- 20°C (- 4°F) + 95°C (- 203°F)
<b>Application :</b>	protection of external rubber layer of hydraulic and industrial hoses, against the early wearing due to abrasion

Part number	Range	
	mm	inch
SG-09-15Y	9-15	0.35 – 0.59
SG-14-20Y	14-20	0.55 – 0.79
SG-18-24Y	18-24	0.71 – 0.94
SG-22-30Y	22-30	0.87 – 1.18
SG-30-38Y	30-38	1.18 – 1.50
SG-36-45Y	36-45	1.42 – 1.77
SG-44-65Y	44-60	1.73 – 2.36
SG-58-70Y	58-70	2.28 – 2.76
SG-65-78Y	65-78	2.56 – 3.08
SG-80-98Y	80-98	3.15 – 3.86
SG-96-116Y	96-116	3.78 – 4.57



## TECHNICAL REFERENCE

### Torque

For each type of fitting a torque value that assures sealing without damaging the thread is recommended in table 2. Whenever a torque meter is not available, follow the rule of thumb given for the fitting type.

**Table 2a: Recommended Torque for JIC Connectors**

Size	Dash	Torque (Nm)
7/16"	-4	14
1/2"	-5	19
9/16"	-6	23
5/8"	-7	25
3/4"	-8	30
7/8"	-10	35
1-1/16"	-12	41
1-3/16"	-14	47
1-5/16"	-16	52
1-5/8"	-20	60
1-7/8"	-24	69
2-1/2"	-32	80

**Table 2b: Recommended Torque for BSP Connectors**

Size	Dash	Torque (Nm)
1/8"	-2	15
1/4"	-4	20
3/8"	-6	31
1/2"	-8	36
5/8"	-10	41
3/4"	-12	46
1"	-16	57
1-1/4"	-20	65
1-1/2"	-24	74
2"	-32	86

**Table 2c: Recommended Torque for Metric Connectors**

Size	Dash	Torque (Nm)
M12 x 1,5	12	11
M14 x 1,5	14	16
M16 x 1,5	16	20
M18 x 1,5	18	22
M20 x 1,5	20	27
M22 x 1,5	22	32
M24 x 1,5	24	38
M26 x 1,5	26	44
M30 x 2,0	30	49
M36 x 2,0	36	57
M42 x 2,0	42	66
M45 x 2,0	45	77
M52 x 2,0	52	79

**Table 2d: Recommended Torque for ORFS Connectors**

Size	Dash	Torque (Nm)
9/16"	-6	15
11/16"	-9	20
13/16"	-11	26
1"	-13	31
1-3/16"	-14	36
1-7/16"	-15	41
1-11/16"	-21	46
2-1/2"	-32	51

**Table 2e: Recommended Torque for Code 61 Flange**

Size	Dash	Torque (Nm)
1/2"	- 8	17
3/4"	- 12	25
1"	- 16	31
1-1/4"	- 20	40
1-1/2"	- 24	52
2"	- 32	60
2.1/2"	- 40	85

**Table 2f: Recommended Torque for Code 62 Flange**

Size	Dash	Torque (Nm)
1/2"	- 8	17
3/4"	- 12	29
1"	- 16	46
1-1/4"	- 20	68
1-1/2"	- 24	125
2"	- 32	208

**Construction characteristics and dimensions may be changed at anytime without prior notice**

The data contained herein is for information purposes only and does not enlarge, amend or imply any warranty other than provided by the manufacturer with the product.

Any use of the product not in conformance with the manufacturer's instruction may be dangerous

Only items in this catalog are carried in stock. Some items are subject to minimum quantities or sold in multiples of standard quantities. Please refer to the price list or contact our commercial department. Prices subject to change without notice.



## TECHNICAL REFERENCE

### Thread Dash and Dash Sizes of Balfit<sup>®</sup> Connectors

**Table 3a: Thread dash for JIC (37° flared) series 23 / 24 / P23 / P12 / P24 / P25 / 26 connectors**

Nominal Hose Size	Hose Dash	Nominal Thread	Thread Dash
3/16"	- 3	7/16" – 20	- 4
1/4"	- 4	7/16" – 20	- 4
1/4"	- 4	1/2" – 20	- 5
1/4"	- 4	9/16" – 18	- 6
5/16"	- 5	9/16" – 18	- 6
3/8"	- 6	9/16" – 18	- 6
3/8"	- 6	3/4" – 16	- 8
13/32"	- 6.5	3/4" – 16	- 8
1/2"	- 8	3/4" – 16	- 8
1/2"	- 8	7/8" – 14	- 10
5/8"	- 10	7/8" – 14	- 10
5/8"	- 10	1-1/16" – 12	- 12
3/4"	- 12	7/8" – 14	- 10
3/4"	- 12	1-1/16" – 12	- 12
3/4"	- 12	1-3/16" – 12	- 14
7/8"	- 14	1-3/16" – 12	- 14
7/8"	- 14	1-5/16" – 12	- 16
1"	- 16	1-5/16" – 12	- 16
1-1/4"	- 20	1-5/8" – 12	- 20
1-1/2"	- 24	1-7/8" – 12	- 24
2"	- 32	2-1/2" – 12	- 32

**Table 3b: Thread dash for NPT (dryseal taper) series 23 / 24 / P23 / P12 / P24 / P25 / 26 connectors**

Nominal Hose Size	Hose Dash	Dryseal Taper Thread	Thread Dash
3/16"	-3	1/8" – 27	-2
3/16"	-3	1/4" – 18	-4
1/4"	-4	1/8" – 27	-2
1/4"	-4	1/4" – 18	-4
5/16"	-5	1/4" – 18	-4
5/16"	-5	3/8" – 18	-6
3/8"	-6	1/4" – 18	-4
3/8"	-6	3/8" – 18	-6
3/8"	-6	1/2" – 14	-8
13/32"	-6.5	3/8" – 18	-6
13/32"	-6.5	1/2" – 14	-8
1/2"	-8	3/8" – 18	-6
1/2"	-8	1/2" – 14	-8
5/8"	-10	1/2" – 14	-8
5/8"	-10	3/4" – 14	-12
3/4"	-12	3/4" – 14	-12
7/8"	-14	1" – 11.1/2"	-16
1"	-16	1" – 11.1/2"	-16
1-1/4"	-20	1-1/4" – 11.1/2"	-20
1-1/2"	-24	1-1/2" – 11.1/2"	-24
2"	-32	2" – 11.1/2"	-32

**Table 3c: Thread dash for SAE (45° flared) series 23 / 24 / P23 / P12 / P24 / P25 / 26 connectors**

Nominal Hose Size	Hose Dash	Nominal Thread	Thread Dash
1/4"	-4	7/16" – 20	- 4
1/4"	-4	1/2" – 20	- 5
5/16"	-5	5/8" – 18	- 6
3/8"	-6	5/8" – 18	- 6
3/8"	-6	3/4" – 16	- 8
1/2"	-8	3/4" – 16	- 8
1/2"	-8	7/8" – 14	- 10
5/8"	-10	7/8" – 14	- 10
5/8"	-10	1-1/16" – 14	- 12
3/4"	-12	7/8" – 14	- 10
3/4"	-12	1-1/16" – 14	- 12

**Table 3d: Thread dash for ORFS (O-Ring Face Seal) series 23 / 24 / P23 / P12 / P24 / P25 / 26 connectors**

Nominal Hose Size	Hose Dash	Dryseal Taper Thread	Thread Dash
1/4"	- 4	9/16" – 18	- 4
3/8"	- 6	11/16" – 16	- 6
1/2"	- 8	13/16" – 16	- 8
5/8"	- 10	1" – 14	- 10
3/4"	- 12	1-3/16" – 12"	- 12
1"	- 16	1-7/16" – 12	- 16
1-1/4"	- 20	1-11/16" – 12	- 20
1-1/2"	- 24	2" – 12	- 24

**Construction characteristics and dimensions may be changed at anytime without prior notice**

The data contained herein is for information purposes only and does not enlarge, amend or imply any warranty other than provided by the manufacturer with the product.

Any use of the product not in conformance with the manufacturer's instruction may be dangerous

Only items in this catalog are carried in stock. Some items are subject to minimum quantities or sold in multiples of standard quantities. Please refer to the price list or contact our commercial department. Prices subject to change without notice.





## CONNECTIONS

### Thread Dash and Dash Sizes of Balflex<sup>®</sup> Connectors

**Table 3e: Dash size for Code 61 series 23 / 24 / P23 / P12 / P24 / 26 connectors**

Nominal Hose Size	Hose Dash	Nominal Flange Size	Flange Dash
1/2"	- 8	30,16	- 8
3/4"	- 12	38,10	- 12
1"	- 16	44,45	- 16
1-1/4"	- 20	50,80	- 20
1-1/2"	- 24	60,32	- 24
2"	- 32	71,43	- 32

**Table 3f: Dash size for Code 62 series 23 / 24 / P23 / P12 / P24 / 26 connectors**

Nominal Hose Size	Hose Dash	Nominal Flange Size	Flange Dash
1/2"	- 8	31,75	- 8
3/4"	- 12	41,27	- 12
1"	- 16	47,62	- 16
1-1/4"	- 20	53,97	- 20
1-1/2"	- 24	63,50	- 24
2"	- 32	79,37	- 32

**Construction characteristics and dimensions may be changed at anytime without prior notice**

The data contained herein is for information purposes only and does not enlarge, amend or imply any warranty other than provided by the manufacturer with the product.

Any use of the product not in conformance with the manufacturer's instruction may be dangerous

Only items in this catalog are carried in stock. Some items are subject to minimum quantities or sold in multiples of standard quantities. Please refer to the price list or contact our commercial department. Prices subject to change without notice.



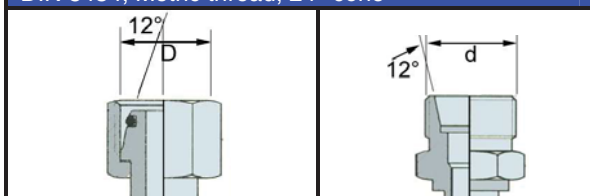
## CONNECTIONS



## Quick identification of hydraulic connectors

### Metric Connections (ISO 8434-1)

DIN 8434, Metric thread, 24° cone



thread	D (mm)	d (mm)	Ø L pipe (mm)	Ø S pipe (mm)
M10 x 1,0	9,0	10,0	4	-
M12 x 1,5	10,5	12,0	6	-
M14 x 1,5	12,5	14,0	8	6
M16 x 1,5	14,5	16,0	10	8
M18 x 1,5	16,5	18,0	12	10
M20 x 1,5	18,5	20,0	-	12
M22 x 1,5	20,5	22,0	15	14
M24 x 1,5	22,5	24,0	-	16
M26 x 1,5	24,5	26,0	18	-
M30 x 2,0	28,0	30,0	22	20
M36 x 2,0	34,0	36,0	28	25
M42 x 2,0	40,0	42,0	-	30
M45 x 2,0	43,0	45,0	35	-
M52 x 2,0	50,0	52,0	42	38

### JIC Connections (ISO 8434-2)

ANSI thread, 37° flared

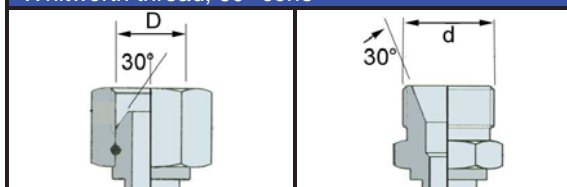


thread	D (mm)	d (mm)	threads per inch
7/16"	10,00	11,07	20
1/2"	11,60	12,70	20
9/16"	13,00	14,25	18
5/8"	14,70	15,85	18
3/4"	17,60	19,00	16
7/8"	20,50	22,17	14
1-1/16"	25,00	26,95	12
1-1/16"	25,30	26,95	14
1-3/16"	27,95	30,12	12
1-5/16"	31,30	33,30	12
1-5/8"	39,20	41,22	12
1-7/8"	45,60	47,57	12
2-1/2"	61,50	63,45	12

Sizes 5/8"-18 UNF and 1-1/16"-14 UNF are 45° flared

### BSP Connections (BS 5200)

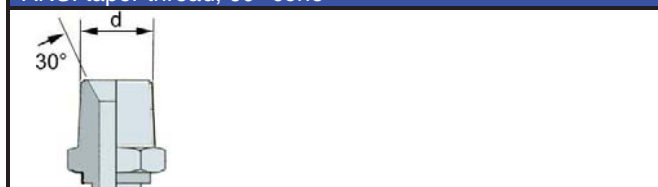
Whitworth thread, 60° cone



thread	D (mm)	d (mm)	threads per inch
1/8"	8,60	9,73	28
1/4"	11,60	13,16	19
3/8"	15,10	16,66	19
1/2"	18,90	20,96	14
5/8"	20,90	22,91	14
3/4"	24,40	26,44	14
1"	30,60	33,25	11
1-1/4"	39,30	41,91	11
1-1/2"	45,10	47,80	11
2"	56,70	59,60	11

### NPT Connections (SAE J476)

ANSI taper thread, 60° cone



thread	d (mm)	threads per inch
1/8"	10,00	27
1/4"	13,60	18
3/8"	17,00	18
1/2"	21,00	14
3/4"	26,00	14
1"	33,50	11-1/2"
1.1/4"	42,10	11-1/2"
1.1/2"	47,80	11-1/2"
2"	59,60	11-1/2"

Construction characteristics and dimensions may be changed at anytime without prior notice

The data contained herein is for information purposes only and does not enlarge, amend or imply any warranty other than provided by the manufacturer with the product.

Any use of the product not in conformance with the manufacturer's instruction may be dangerous

Only items in this catalog are carried in stock. Some items are subject to minimum quantities or sold in multiples of standard quantities. Please refer to the price list or contact our commercial department. Prices subject to change without notice.



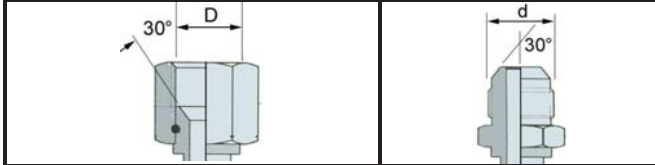
## CONNECTIONS



### Quick identification of hydraulic connectors

#### Japanese Metric Connections

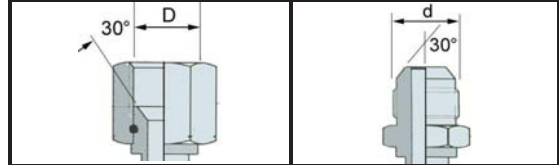
JIS B 8363, Metric thread, 60° cone



thread	D (mm)	d (mm)	pitch (mm)
M14 x 1,5	12,50	14,00	1,5
M16 x 1,5	14,50	16,00	1,5
M18 x 1,5	16,50	18,00	1,5
M22 x 1,5	20,50	22,00	1,5
M24 x 1,5	22,50	24,00	1,5
M30 x 1,5	28,50	30,00	1,5
M33 x 1,5	31,50	33,00	1,5
M42 x 1,5	40,50	42,00	1,5

#### Japanese Gas Connections

JIS B 8363, Whitworth thread, 60° cone



thread	D (mm)	d (mm)	threads per inch
1/8"	8,60	9,73	28
1/4"	11,60	13,16	19
3/8"	15,10	16,66	19
1/2"	18,90	20,96	14
5/8"	20,90	22,91	14
3/4"	24,40	26,44	14
1"	30,60	33,25	11
1-1/4"	39,30	41,91	11
1-1/2"	45,10	47,80	11
2"	56,70	59,60	11

#### ORFS Connections (ISO 8434-3)

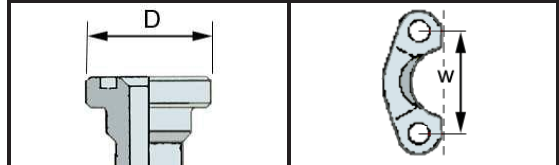
ANSI thread, flat face (male with o-ring groove)



threads	d (mm)	D (mm)	threads per inch
9/16"	12,70	14,28	18
11/16"	15,87	17,46	16
13/16"	19,05	20,63	16
1"	23,81	25,40	14
1.3/16"	27,78	30,16	12
1.7/16"	34,13	36,51	12
1.11/16"	40,48	42,86	12
2"	48,41	50,80	12

#### Split Flanges (SAE J518)

code 61 (3000 PSI) & 62 (6000 PSI)



DN	code 61 - 3000 PSI		code 62 - 6000 PSI	
	D (mm)	w (mm)	D (mm)	w (mm)
1/2"	30,16	38,10	31,75	40,48
3/4"	38,10	47,62	41,27	50,80
1"	44,45	52,38	47,62	57,15
1-1/4"	50,80	58,73	53,97	66,67
1-1/2"	60,32	69,85	63,50	79,37
2"	71,43	77,78	79,37	96,83

#### Construction characteristics and dimensions may be changed at anytime without prior notice

The data contained herein is for information purposes only and does not enlarge, amend or imply any warranty other than provided by the manufacturer with the product.

Any use of the product not in conformance with the manufacturer's instruction may be dangerous

Only items in this catalog are carried in stock. Some items are subject to minimum quantities or sold in multiples of standard quantities. Please refer to the price list or contact our commercial department. Prices subject to change without notice.



## THREAD CODES

### Thread Codes

thread code	NPT	ORFS	JIC / SAE UN / UNF	METRIC	BSP
02	1/8" – 27				1/8" – 28
04	1/4" – 18	9/16" – 18	7/16" – 20		1/4" – 19
05			1/2" – 20		
06	3/8" – 18	11/16" – 16	9/16" – 18		3/8" – 19
07			5/8" – 18		
08	1/2" – 14	13/16" – 16	3/4" – 16		1/2" – 14
10		1" – 14	7/8" – 14	M10 x 1,0	5/8" – 14
12	3/4" – 14	1.3/16" – 14	1.1/16" – 12	M12 x 1,5	3/4" – 14
14			1.3/16" – 12	M14 x 1,5	
16	1" – 11.1/2	1.7/16" – 12	1.5/16" – 12	M16 x 1,5	1" – 11
18				M18 x 1,5	
20	1.1/4" – 11.1/2	1.11/16" – 12	1.5/8" – 12	M20 x 1,5	1.1/4" – 11
22				M22 x 1,5	
24	1.1/2" – 11.1/2	2" – 12	1.7/8" – 12	M24 x 1,5	1.1/2" – 11
26				M26 x 1,5	
30				M30 x 2,0	
32	2" – 11.1/2		2.1/2" – 12		2" – 11
36				M36 x 2,0	
42				M42 x 2,0	
45				M45 x 2,0	
52				M52 x 2,0	

### Flange Codes

flange code	flange 61 code 3000 PSI	flange 62 code 6000 PSI
08	1/2" – 30,2 mm	1/2" – 31,7 mm
10	5/8" – 34,0 mm	
12	3/4" – 38,1 mm	3/4" – 41,3 mm
16	1" – 44,5 mm	1" – 47,6 mm
20	1.1/4" – 50,8 mm	1.1/4" – 54,0 mm
24	1.1/2" – 60,3 mm	1.1/2" – 63,5 mm
32	2" – 71,4 mm	2" – 79,4 mm

#### Construction characteristics and dimensions may be changed at anytime without prior notice

The data contained herein is for information purposes only and does not enlarge, amend or imply any warranty other than provided by the manufacturer with the product.

Any use of the product not in conformance with the manufacturer's instruction may be dangerous

Only items in this catalog are carried in stock. Some items are subject to minimum quantities or sold in multiples of standard quantities. Please refer to the price list or contact our commercial department. Prices subject to change without notice.



# Balflex® HOSES vs FITTINGS (1-Piece)

BALFLEX - THE BEST NAME YOU CAN GET IN HOSE

Hose Vs Fittings			3/16"	1/4"	5/16"	3/8"	1/2"	5/8"	3/4"	1"	1.1/4"	1.1/2"	2"
			- 03	- 04	- 05	- 06	- 08	- 10	- 12	- 16	- 20	- 24	- 32
Balflex®			Balfit®	Balfit®	Balfit®	Balfit®	Balfit®	Balfit®	Balfit®	Balfit®	Balfit®	Balfit®	Balfit®
R1AT / 1SN		10.1002	X	BW23	BW23	BW23	BW23	BW23	BW23	BW23	BW23	BW23	BW23
R2AT / 2SN		10.1004	X	BW23	BW23	BW23	BW23	BW23	BW23	BW23	BW23	BW23	BW23
10.1017		R17 / 1SC	X	BW23	BW23	BW23	BW23	BW23	BW23	BW23	X	X	X
R16/2SC		10.1019	X	BW23	BW23	BW23	BW23	BW23	BW23	BW23	X	X	X
R12		10.1012	X	X	X	BW23 ★	BW23 ★	BW23	BW23	BW23	BW23	BW23	BW23
						JJ26 ★	JJ26 ★	JJ26 ★	JJ26 ★	JJ26 ★	JJ26 ★	JJ26 ★	JJ26 ★
4SP		10.1008	X	X	X	BW23	BW23 ★	BW23	BW23	BW23	BW23	BW23	BW23
4SH		10.1009	X	X	X	X	X	X	BW23	BW23	BW23	BW23	BW23
									JJ26 ★	JJ26 ★	JJ26 ★	JJ26 ★	JJ26 ★
R13		10.1014	X	X	X	X	X	X	See 4SH	See 4SH	JJ26 ★	JJ26 ★	JJ26 ★
R15		10.1016	X	X	X	X	X	X	JJ26 ★	JJ26 ★	JJ26 ★	JJ26 ★	X
2-MAX JACK		10.1029	X	BW23	X	BW23	BW23	X	X	X	X	X	X

★ - External Skive (Single Skive)

**Construction characteristics and dimensions may be changed at anytime without prior notice**

The data contained herein is for information purposes only and does not enlarge, amend or imply any warranty other than provided by the manufacturer with the product.

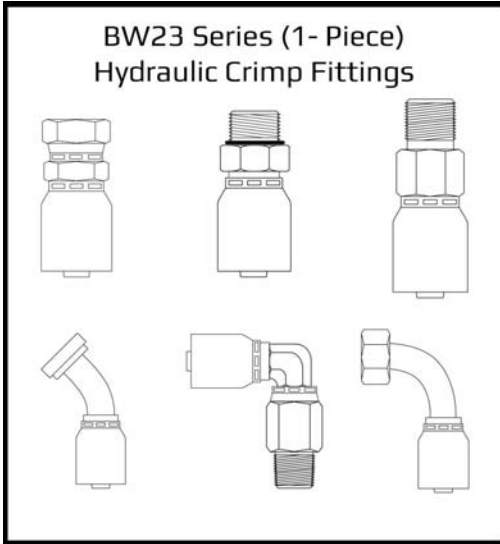
Any use of the product not in conformance with the manufacturer's instruction may be dangerous

Only items in this catalog are carried in stock. Some items are subject to minimum quantities or sold in multiples of standard quantities. Please refer to the price list or contact our commercial department. Prices subject to change without notice.

# Balflex® BW23 MULTICRIMP SERIES Hydraulic Hose Fittings (1-Piece)



BALFLEX - THE BEST NAME YOU CAN GET IN HOSE



- One-Piece Design
- Non Skive - Bite to the wire
- Trivalent zinc plated - ROHS compliant

## Balflex® BW23 Series Hydraulic Hose Fittings

The range of **BW23**® hydraulic hose connectors are produced according to **Balflex**® specifications and to **ISO, SAE, DIN, JIS, BS, NF** and other standards. It covers a very wide variety of applications typical of hydraulic pressure hose lines.

**Balflex**® optimized the production of these connectors and their compatibility with a wide range of hydraulic hoses, in order to assure the highest performance and the most extensive range of applications. The **Balflex**® hydraulic connectors are compatible with the following hose types:

**Balflex**® **Forza Uno** - 100R1AT / 1SN - Single Steel Braid Reinforced Hydraulic Hose

**Balflex**® **Forza Due** - 100R2AT / 2SN - Double Steel Braid Reinforced Hydraulic Hose

**Balflex**® **Balpac 3000** - 100R17 / 1SC - 4 Steel Wire Spiral Reinforced Hydraulic Hose

**Balflex**® **Balpac Premium** - 100R16 / 2SC - Very High pressure, double steel wire braid reinforced hydraulic hose

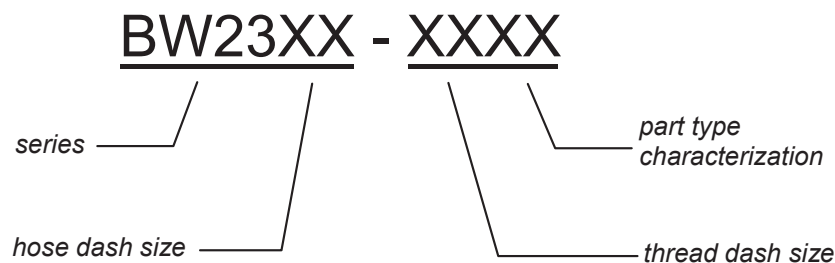
### 4-Wire Spiral:

**Balflex**® **Balmaster BestFlex** - 100R12 & DIN EN 856 4SP - 4 Steel Wire Spiral Reinforced Hydraulic Hose

**Balflex**® **PowerSpir BestFlex** - 100R13 & DIN EN 856 4SH - 4 or 6 Very High Tencil Steel Braid Hydraulic Hose

An overview of these parts is given in the following pages.

The **Balfit**® connectors parts code is composed of two groups of digits:





# Balflex® BW23 Male Pipe - Multicrimp Series One Piece - Non Skive - Hydraulic Hose Fitting

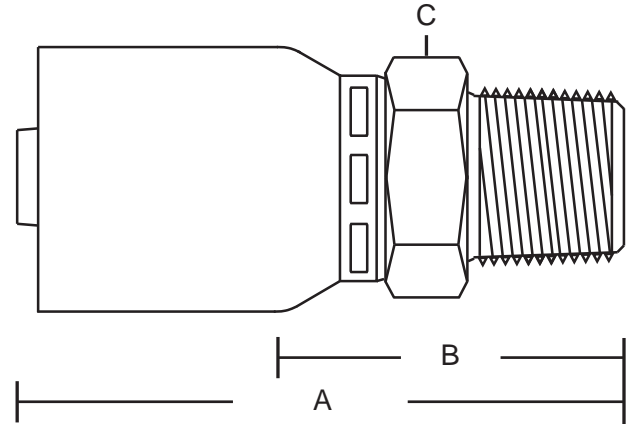
No Skive: 100R1AT/1SN, 100R2AT/2SN, 100R12, 100R16/2SC, 100R17/1SC, DIN4SP, DIN4SH, 2 Max Jack

## MALE PIPE - MP

- One Piece - Carbon Steel
- Trivalent Zinc Plated - RoHS compliant
- SAE J516 / J514

## Balflex Hose Compatibility:

- Forza Uno (R1AT/1SN), Forza Due (R2AT/2SN),
- Balpac Premium (R16/2SC), Balpac 3000 (R17/1SC),
- Artic 1 & 2, Tropic 1&2,
- Balmaster 100R12 & 4SP, Powerspir (4SH).
- BestFlex - Balmaster 100R12 & 4SP, Powerspir (4SH).
- Armorguard R1/1SN, R2AT/2SN, R16/2SC, R17/1SC
- 2 MAX Jack



Balflex-USA		Male Pipe - BW23 Multicrimp Series					
PART NUMBER	Hose I.D.	Thread	A O.A.L	B Cut-Off	C Hex	D Hex	E Drop
BW2304-02MP	1/4	1/8 - 27	54.86	31.00	12.00	-	-
BW2304-04MP	1/4	1/4 - 18	60.36	35.10	17.00	-	-
BW2304-06MP	1/4	3/8 - 18	61.43	33.83	19.00	-	-
BW2304-08MP	1/4	1/2 - 14	67.10	40.68	21.75	-	-
BW2306-04MP	3/8	1/4 - 18	63.00	31.53	17.00	-	-
BW2306-06MP	3/8	3/8 - 18	64.65	32.32	19.00	-	-
BW2306-08MP	3/8	1/2 - 14	69.00	36.85	21.88	-	-
BW2308-06MP	1/2	3/8 - 18	65.52	35.00	19.00	-	-
BW2308-08MP	1/2	1/2 - 14	69.23	37.00	22.00	-	-
BW2308-12MP	1/2	3/4 - 14	71.61	39.62	26.88	-	-
BW2310-08MP	5/8	1/2 - 14	90.00	42.00	22.00	-	-
BW2310-12MP	5/8	3/4 - 14	92.43	43.51	27.00	-	-
BW2312-08MP	3/4	1/2 - 14	85.50	44.12	27.00	-	-
BW2312-12MP	3/4	3/4 - 14	87.04	44.60	26.86	-	-
BW2312-16MP	3/4	1-11 1/2	92.45	50.10	36.00	-	-
BW2316-12MP	1	3/4 - 14	94.87	45.37	31.77	-	-
BW2316-16MP	1	1-11 1/2	100.25	49.96	35.78	-	-
BW2316-20MP	1	1 1/4 - 11 1/2	102.50	51.90	46.00	-	-
BW2320-20MP	1 1/4	1 1/4 - 11 1/2	114.50	58.89	46.00	-	-
BW2320-24MP	1 1/4	1 1/2 - 11 1/2	118.12	59.87	50.00	-	-
BW2324-24MP	1 1/2	1 1/2 - 11 1/2	120.10	66.36	49.84	-	-
BW2332-32MP	2	2 - 11 1/2	141.00	74.50	64.85	-	-

Construction characteristics and dimensions may be changed at anytime without prior notice

The data contained herein is for information purposes only and does not enlarge, amend or imply any warranty other than provided by the manufacturer with the product.

Any use of the product not in conformance with the manufacturer's instruction may be dangerous

Only items in this catalog are carried in stock. Some items are subject to minimum quantities or sold in multiples of standard quantities. Please refer to the price list or contact our commercial department. Prices subject to change without notice.

# Balfit® BW23 Male Pipe Long - Multicrimp Series One Piece - Non Skive - Hydraulic Hose Fitting



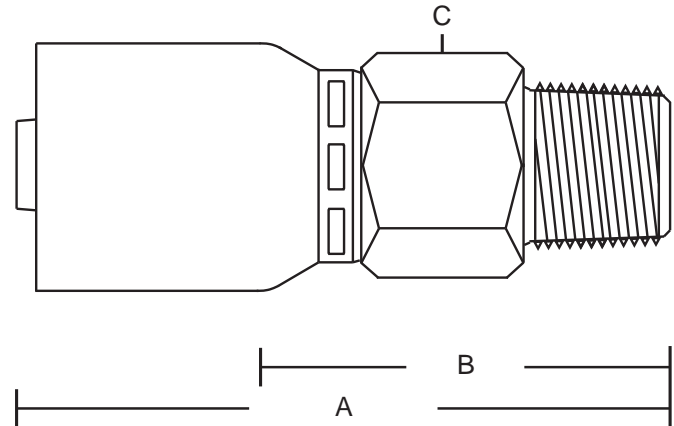
No Skive: 100R1AT/1SN, 100R2AT/2SN, 100R12, 100R16/2SC, 100R17/1SC, DIN4SP, DIN4SH, 2 Max Jack

### MALE PIPE Long

- One Piece - Carbon Steel
- Trivalent Zinc Plated - RoHS compliant
- SAE J516

### Balflex Hose Compatibility:

- Forza Uno (R1AT/1SN), Forza Due (R2AT/2SN),
- Balpac Premium (R16/2SC), Balpac 3000 (R17/1SC),
- Artic 1 & 2, Tropic 1&2,
- Balmaster 100R12 & 4SP, Powerspir (4SH).
- BestFlex - Balmaster 100R12 & 4SP, Powerspir (4SH).
- Armorguard R1/1SN, R2AT/2SN, R16/2SC, R17/1SC
- 2 MAX Jack



Balflex-USA		Male Pipe Long - BW23 Multicrimp Series					
PART NUMBER	Hose I.D.	Thread	A O.A.L	B Cut-Off	C Hex	D Hex	E Drop
BW2316-16MPL	1	1-11 1/2	125.50	74.00	36.00	-	-

### Construction characteristics and dimensions may be changed at anytime without prior notice

The data contained herein is for information purposes only and does not enlarge, amend or imply any warranty other than provided by the manufacturer with the product.

Any use of the product not in conformance with the manufacturer's instruction may be dangerous

Only items in this catalog are carried in stock. Some items are subject to minimum quantities or sold in multiples of standard quantities. Please refer to the price list or contact our commercial department. Prices subject to change without notice.





# Balflex® BW23 MP Swivel - Multicrimp Series One Piece - Non Skive - Hydraulic Hose Fitting

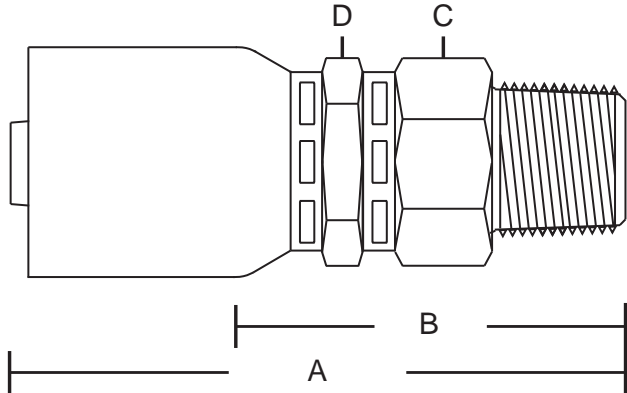
No Skive: 100R1AT/1SN, 100R2AT/2SN, 100R12, 100R16/2SC, 100R17/1SC, DIN4SP, DIN4SH, 2 Max Jack

## MALE PIPE SWIVEL

- One Piece - Carbon Steel
- Trivalent Zinc Plated - RoHS compliant
- SAE J516

## Balflex Hose Compatibility:

- Forza Uno (R1AT/1SN), Forza Due (R2AT/2SN),
- Balpac Premium (R16/2SC), Balpac 3000 (R17/1SC),
- Artic 1 & 2, Tropic 1&2,
- Balmaster 100R12 & 4SP, Powerspir (4SH).
- BestFlex - Balmaster 100R12 & 4SP, Powerspir (4SH).
- Armorguard R1/1SN, R2AT/2SN, R16/2SC, R17/1SC
- 2 MAX Jack



Balflex-USA		Male Pipe Swivel - BW23 Multicrimp Series					
PART NUMBER	Hose I.D.	Thread	A O.A.L	B Cut-Off	C Hex	D Hex	E Drop
BW2304-02MPX	1/4	1/8 - 27	85.50	58.88	19.00	14.00	-
BW2304-04MPX	1/4	1/4 - 18	90.25	64.00	19.00	14.00	-
BW2304-06MPX	1/4	3/8 - 18	97.25	71.64	22.00	17.00	-
BW2306-04MPX	3/8	1/4 - 18	93.42	61.00	19.00	17.00	-
BW2306-06MPX	3/8	3/8 - 18	100.65	68.12	22.00	17.00	-
BW2306-08MPX	3/8	1/2 - 14	106.40	73.00	27.00	22.00	-
BW2308-06MPX	1/2	3/8 - 18	101.65	70.12	22.00	22.00	-
BW2308-08MPX	1/2	1/2 - 14	106.00	74.00	27.00	22.00	-
BW2308-12MPX	1/2	3/4 - 14	109.55	76.64	32.00	27.00	-
BW2310-08MPX	5/8	1/2 - 14	126.50	76.62	27.00	22.00	-
BW2310-12MPX	5/8	3/4 - 14	130.15	80.39	32.00	27.00	-
BW2312-12MPX	3/4	3/4 - 14	123.50	70.00	32.00	27.00	-
BW2316-16MPX	1	1 - 11 1/2	139.25	87.00	41.00	36.00	-

## Construction characteristics and dimensions may be changed at anytime without prior notice

The data contained herein is for information purposes only and does not enlarge, amend or imply any warranty other than provided by the manufacturer with the product.

Any use of the product not in conformance with the manufacturer's instruction may be dangerous

Only items in this catalog are carried in stock. Some items are subject to minimum quantities or sold in multiples of standard quantities.

Please refer to the price list or contact our commercial department. Prices subject to change without notice.

# Balfit® BW23 Male NPT 90° Swivel - Multicrimp Series One Piece - Non Skive - Hydraulic Hose Fitting



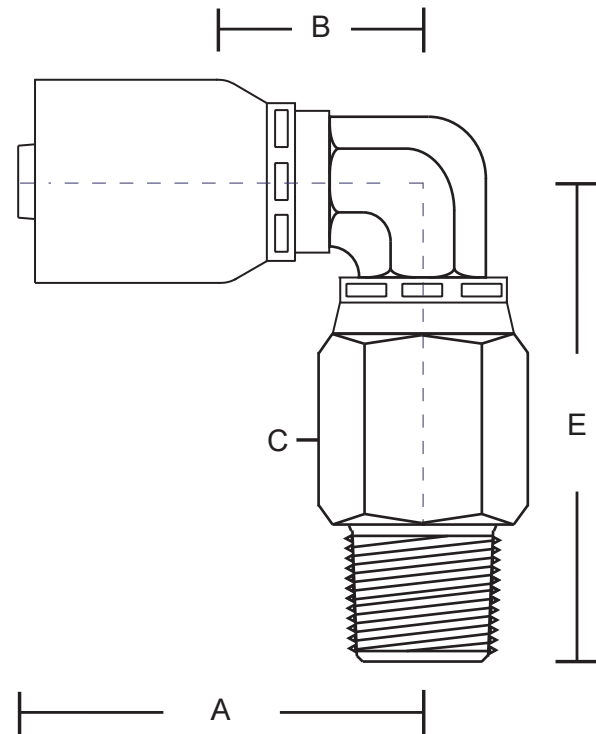
No Skive: 100R1AT/1SN, 100R2AT/2SN, 100R12, 100R16/2SC, 100R17/1SC, DIN4SP, DIN4SH, 2 Max Jack

## MALE PIPE 90° SWIVEL (HEX STYLE ELBOW)

- One Piece - Carbon Steel
- Trivalent Zinc Plated - RoHS compliant
- SAE J516

### Balflex Hose Compatibility:

- Forza Uno (R1AT/1SN), Forza Due (R2AT/2SN),
- Balpac Premium (R16/2SC), Balpac 3000 (R17/1SC),
- Artic 1 & 2, Tropic 1&2,
- Balmaster 100R12 & 4SP, Powerspir (4SH).
- BestFlex - Balmaster 100R12 & 4SP, Powerspir (4SH).
- Armorguard R1/1SN, R2AT/2SN, R16/2SC, R17/1SC
- 2 MAX Jack



Balflex-USA		Male Pipe 90° Swivel (Hex Style Elbow) - BW23 Multicrimp Series					
PART NUMBER	Hose I.D.	Thread	A O.A.L	B Cut-Off	C Hex	D Hex	E Drop
BW2304-04MPX90	1/4	1/4 - 18	53.00	27.25	19.00	-	58.00
BW2306-06MPX90	3/8	3/8 - 18	54.75	23.00	22.00	-	64.00
BW2308-08MPX90	1/2	1/2 - 14	60.25	29.00	27.00	-	69.75
BW2312-12MPX90	3/4	3/4 - 14	75.00	32.75	32.00	-	73.50
BW2316-16MPX90	1	1 - 11 1/2	96.00	46.00	41.00	-	83.00

### Construction characteristics and dimensions may be changed at anytime without prior notice

The data contained herein is for information purposes only and does not enlarge, amend or imply any warranty other than provided by the manufacturer with the product.

Any use of the product not in conformance with the manufacturer's instruction may be dangerous

Only items in this catalog are carried in stock. Some items are subject to minimum quantities or sold in multiples of standard quantities.

Please refer to the price list or contact our commercial department. Prices subject to change without notice.



# Balfit<sup>®</sup> BW23 Female Pipe Swivel Multicrimp Series One Piece - Non Skive - Hydraulic Hose Fitting

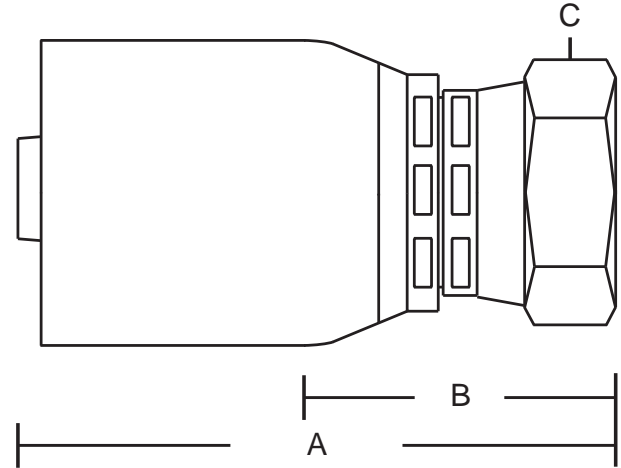
No Skive: 100R1AT/1SN, 100R2AT/2SN, 100R12, 100R16/2SC, 100R17/1SC, DIN4SP, DIN4SH, 2 Max Jack

### FEMALE PIPE SWIVEL - NPTF

- One Piece - Carbon Steel
- Trivalent Zinc Plated - RoHS compliant
- Also available in stainless steel

### Balflex Hose Compatibility:

- Forza Uno (R1AT/1SN), Forza Due (R2AT/2SN),
- Balpac Premium (R16/2SC), Balpac 3000 (R17/1SC),
- Artic 1 &2, Tropic 1&2,
- Balmaster 100R12 & 4SP, Powerspir (4SH).
- BestFlex - Balmaster 100R12 & 4SP, Powerspir (4SH).
- Armorguard R1/1SN, R2AT/2SN, R16/2SC, R17/1SC
- 2 MAX Jack



Balflex-USA		Female Pipe Swivel NPTF- BW23 Multicrimp Series					
PART NUMBER	Hose I.D.	Thread	A O.A.L	B Cut-Off	C Hex	D Hex	E Drop
BW2304-04FPX	1/4	1/4 - 18	53.60	27.50	19.00	-	-
BW2306-06FPX	3/8	3/8 - 18	59.75	26.50	22.00	-	-
BW2308-08FPX	1/2	1/2 - 14	62.30	31.00	27.00	-	-
BW2312-12FPX	3/4	3/4 - 14	79.00	36.00	32.00	-	-
BW2316-16FPX	1	1 - 11 1/2	89.00	37.00	41.00	-	-

### Construction characteristics and dimensions may be changed at anytime without prior notice

The data contained herein is for information purposes only and does not enlarge, amend or imply any warranty other than provided by the manufacturer with the product.

Any use of the product not in conformance with the manufacturer's instruction may be dangerous

Only items in this catalog are carried in stock. Some items are subject to minimum quantities or sold in multiples of standard quantities. Please refer to the price list or contact our commercial department. Prices subject to change without notice.

# Balflex® BW23 Male JIC Multicrimp Series One Piece - Non Skive - Hydraulic Hose Fitting



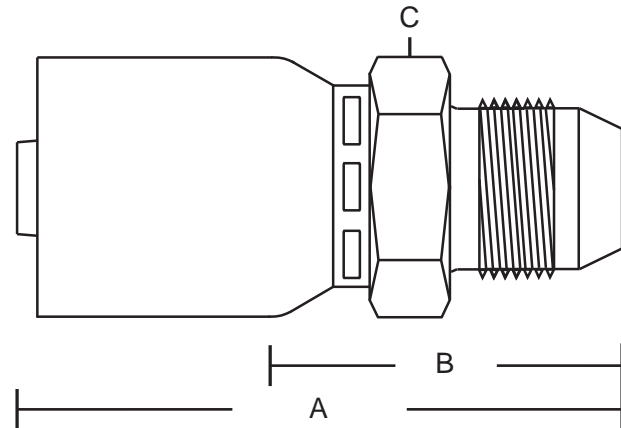
No Skive: 100R1AT/1SN, 100R2AT/2SN, 100R12, 100R16/2SC, 100R17/1SC, DIN4SP, DIN4SH, 2 Max Jack

#### MALE JIC One Piece - Carbon Steel

- Trivalent Zinc Plated - RoHS compliant
- Also available in stainless steel
- SAE J514 / J516 & ISO 12151-5 / 8434-2

#### Balflex Hose Compatibility:

- Forza Uno (R1AT/1SN), Forza Due (R2AT/2SN),
- Balpac Premium (R16/2SC), Balpac 3000 (R17/1SC),
- Artic 1 & 2, Tropic 1&2,
- Balmaster 100R12 & 4SP, Powerspir (4SH).
- BestFlex - Balmaster 100R12 & 4SP, Powerspir (4SH).
- Armorguard R1/1SN, R2AT/2SN, R16/2SC, R17/1SC
- 2 MAX Jack



Balflex-USA		Male JIC - BW23 Multicrimp Series					
PART NUMBER	Hose I.D.	Thread	A O.A.L	B Cut-Off	C Hex	D Hex	E Drop
BW2304-04Mj	1/4	7/16 - 20	59.00	33.85	14.00	14.00	-
BW2304-06Mj	1/4	9/16 - 18	59.00	33.85	17.00	17.00	-
BW2306-06Mj	3/8	9/16 - 18	62.00	30.45	17.00	17.00	-
BW2306-08Mj	3/8	3/4 - 16	67.35	34.25	22.00	22.00	-
BW2308-08Mj	1/2	3/4 - 16	67.00	35.85	22.00	22.00	-
BW2308-10Mj	1/2	7/8 - 14	69.00	37.75	24.00	24.00	-
BW2308-12Mj	1/2	1 1/16 - 12	74.40	43.00	30.00	30.00	-
BW2310-10Mj	5/8	7/8 - 14	89.85	42.00	23.85	23.85	-
BW2312-12Mj	3/4	1 1/16 - 12	87.40	46.00	30.00	30.00	-
BW2312-16Mj	3/4	1 5/16 - 12	-	-	-	-	-
BW2316-16Mj	1	1 5/16 - 12	99.00	49.00	36.00	36.00	-
BW2320-20Mj	1 1/4	1 5/8 - 12	112.30	55.65	46.00	46.00	-
BW2324-24Mj	1 1/2	1 7/8 - 12	122.60	69.40	50.00	50.00	-
BW2332-32Mj	2	2 1/2 - 12	149.00	84.65	65.00	65.00	-

#### Construction characteristics and dimensions may be changed at anytime without prior notice

The data contained herein is for information purposes only and does not enlarge, amend or imply any warranty other than provided by the manufacturer with the product.

Any use of the product not in conformance with the manufacturer's instruction may be dangerous

Only items in this catalog are carried in stock. Some items are subject to minimum quantities or sold in multiples of standard quantities. Please refer to the price list or contact our commercial department. Prices subject to change without notice.



# Balflex® BW23 Female JIC Swivel - Multicrimp Series One Piece - Non Skive - Hydraulic Hose Fitting

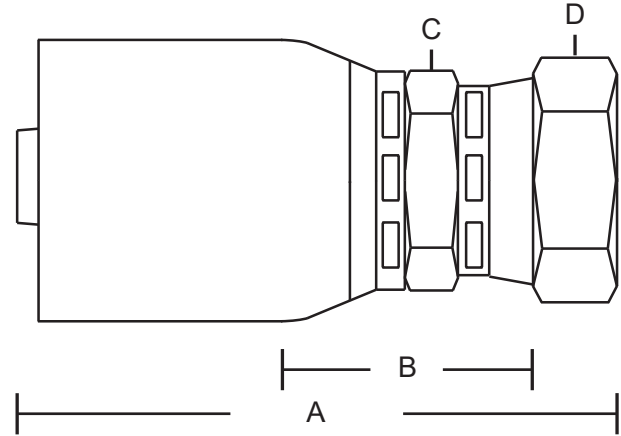
No Skive: 100R1AT/1SN, 100R2AT/2SN, 100R12, 100R16/2SC, 100R17/1SC, DIN4SP, DIN4SH, 2 Max Jack

## FEMALE JIC SWIVEL

- One Piece - Carbon Steel
- Trivalent Zinc Plated - RoHS compliant
- SAE J514 / J516 & ISO 12151-5 / ISO8434-2

## Balflex Hose Compatibility:

- Forza Uno (R1AT/1SN), Forza Due (R2AT/2SN),
- Balpac Premium (R16/2SC), Balpac 3000 (R17/1SC),
- Artic 1 & 2, Tropic 1&2,
- Balmaster 100R12 & 4SP, Powerspir (4SH).
- BestFlex - Balmaster 100R12 & 4SP, Powerspir (4SH).
- Armorguard R1/1SN, R2AT/2SN, R16/2SC, R17/1SC
- 2 MAX Jack



Balflex-USA		Female JIC Swivel - BW23 Multicrimp Series					
PART NUMBER	Hose I.D.	Thread	A O.A.L	B Cut-Off	C Hex	D Hex	E
BW2304-04FJ	1/4	7/16 - 20	60.75	34.25	14.00	14.00	-
BW2304-05FJ	1/4	1/2 - 20	-	-	-	-	-
BW2304-06FJ	1/4	9/16 - 18	62.50	35.50	16.00	16.00	-
BW2306-04FJ	3/8	7/16 - 20	64.50	32.75	17.00	14.00	-
BW2306-06FJ	3/8	9/16 - 18	66.00	32.75	17.00	19.00	-
BW2306-08FJ	3/8	3/4 - 16	69.35	36.35	19.00	24.00	-
BW2308-06FJ	1/2	9/16 - 18	63.50	34.50	22.00	22.00	-
BW2308-08FJ	1/2	3/4 - 16	68.00	37.00	22.00	24.00	-
BW2308-10FJ	1/2	7/8 - 14	70.00	38.85	22.00	27.00	-
BW2308-12FJ	1/2	1 1/16 - 12	78.75	47.75	26.65	31.75	-
BW2310-08FJ	5/8	3/4 - 16	88.65	39.35	22.00	24.00	-
BW2310-10FJ	5/8	7/8 - 14	90.25	27.85	22.00	27.00	-
BW2310-12FJ	5/8	1 1/16 - 12	99.75	33.35	27.00	32.00	-
BW2312-10FJ	3/4	7/8 - 14	-	-	-	-	-
BW2312-12FJ	3/4	1 1/16 - 12	92.75	50.00	27.00	32.00	-
BW2312-14FJ	3/4	1 3/16 - 12	87.65	39.65	30.00	35.00	-
BW2312-16FJ	3/4	1 5/16 - 12	89.65	42.00	35.00	38.00	-
BW2316-12FJ	1	1 1/16 - 12	99.85	48.75	32.00	32.00	-
BW2316-16FJ	1	1 5/16 - 12	100.35	49.50	32.00	38.00	-
BW2316-20FJ	1	1 5/8 - 12	-	-	-	-	-
BW2320-20FJ	1 1/4	1 5/8 - 12	117.85	61.75	46.00	50.00	-
BW2324-24FJ	1 1/2	1 7/8 - 12	124.75	70.65	55.00	55.00	-
BW2332-32FJ	2	2 1/2 - 12	152.50	85.85	65.00	75.00	-

Construction characteristics and dimensions may be changed at anytime without prior notice

The data contained herein is for information purposes only and does not enlarge, amend or imply any warranty other than provided by the manufacturer with the product.

Any use of the product not in conformance with the manufacturer's instruction may be dangerous

Only items in this catalog are carried in stock. Some items are subject to minimum quantities or sold in multiples of standard quantities. Please refer to the price list or contact our commercial department. Prices subject to change without notice.

# Balfit® BW23 Female JIC 45° Swivel - Multicrimp Series One Piece - Non Skive - Hydraulic Hose Fitting



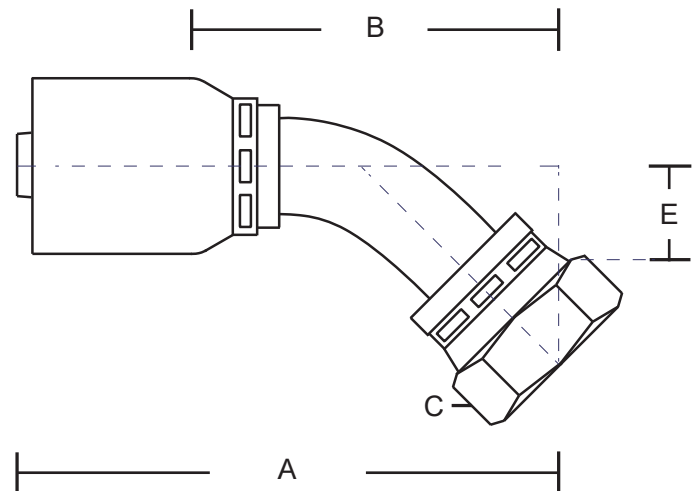
No Skive: 100R1AT/1SN, 100R2AT/2SN, 100R12, 100R16/2SC, 100R17/1SC, DIN4SP, DIN4SH, 2 Max Jack

## FEMALE JIC 45° SWIVEL

- One Piece - Carbon Steel
- Trivalent Zinc Plated - RoHS compliant
- SAE J514 / J516 & ISO 12151-5 / ISO8434-2

## Balflex Hose Compatibility:

- Forza Uno (R1AT/1SN), Forza Due (R2AT/2SN),
- Balpac Premium (R16/2SC), Balpac 3000 (R17/1SC),
- Artic 1 & 2, Tropic 1&2,
- Balmaster 100R12 & 4SP, Powerspir (4SH).
- BestFlex - Balmaster 100R12 & 4SP, Powerspir (4SH).
- Armorguard R1/1SN, R2AT/2SN, R16/2SC, R17/1SC
- 2 MAX Jack



Balflex-USA		Female JIC 45°- BW23 Multicrimp Series					
PART NUMBER	Hose I.D.	Thread	A O.A.L	B Cut-Off	C Hex	D Hex	E Drop
BW2304-04FJ45	1/4	7/16 - 20	77.00	52.50	15.00	-	23.35
BW2304-05FJ45	1/4	1/2 - 20	-	-	-	-	-
BW2304-06FJ45	1/4	9/16 - 18	80.25	55.65	19.00	-	25.75
BW2306-06FJ45	3/8	9/16 - 18	86.00	52.00	19.00	-	29.50
BW2306-08FJ45	3/8	3/4 - 16	88.00	54.35	24.00	-	31.00
BW2308-08FJ45	1/2	3/4 - 16	99.85	67.75	24.00	-	33.00
BW2308-10FJ45	1/2	7/8 - 14	103.50	71.75	27.00	-	34.25
BW2308-12FJ45	1/2	1 1/16 - 12	101.00	69.45	32.00	-	39.50
BW2310-10FJ45	5/8	7/8 - 14	129.50	80.35	27.00	-	37.75
BW2312-12FJ45	3/4	1 1/16 - 12	135.00	93.00	32.00	-	40.50
BW2312-16FJ45	3/4	1 5/16 - 12	-	-	-	-	-
BW2316-16FJ45	1	1 5/16 - 12	151.65	101.50	38.00	-	45.00
BW2316-20FJ45	1	1 5/8 - 12	-	-	-	-	-
BW2320-20FJ45	1 1/4	1 5/8 - 12	172.50	114.00	50.00	-	50.00
BW2320-24FJ45	1 1/4	1 7/8 - 12	-	-	-	-	-
BW2324-24FJ45	1 1/2	1 7/8 - 12	197.00	143.50	55.00	-	60.50
BW2332-32FJ45	2	2 1/2 - 12	237.00	171.00	75.00	-	70.50

## Construction characteristics and dimensions may be changed at anytime without prior notice

The data contained herein is for information purposes only and does not enlarge, amend or imply any warranty other than provided by the manufacturer with the product.

Any use of the product not in conformance with the manufacturer's instruction may be dangerous

Only items in this catalog are carried in stock. Some items are subject to minimum quantities or sold in multiples of standard quantities. Please refer to the price list or contact our commercial department. Prices subject to change without notice.



# Balflex® BW23 FJIC 90° Swivel - Multicrimp Series One Piece - Non Skive - Hydraulic Hose Fitting

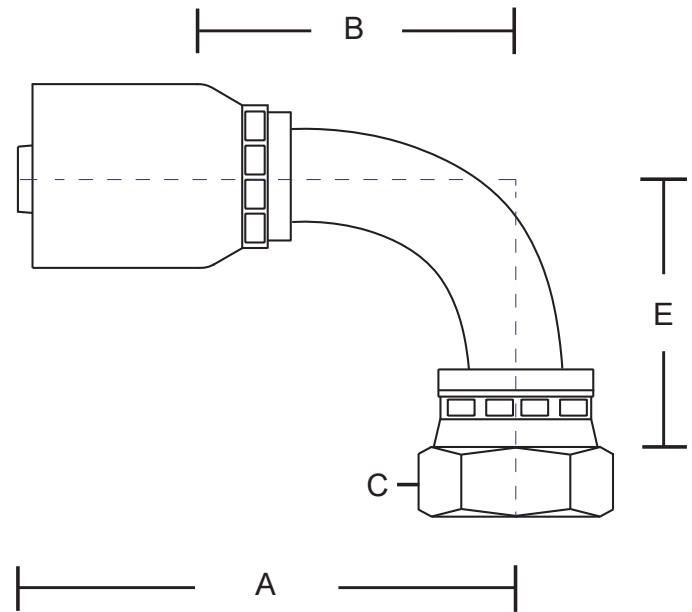
No Skive: 100R1AT/1SN, 100R2AT/2SN, 100R12, 100R16/2SC, 100R17/1SC, DIN4SP, DIN4SH, 2 Max Jack

## FEMALE JIC 90° SWIVEL

- One Piece - Carbon Steel
- Trivalent Zinc Plated - RoHS compliant
- SAE J514 / J516 & ISO 12151-5 / ISO8434-2

## Balflex Hose Compatibility:

- Forza Uno (R1AT/1SN), Forza Due (R2AT/2SN),
- Balpac Premium (R16/2SC), Balpac 3000 (R17/1SC),
- Artic 1 & 2, Tropic 1&2,
- Balmaster 100R12 & 4SP, Powerspir (4SH).
- BestFlex - Balmaster 100R12 & 4SP, Powerspir (4SH).
- Armorguard R1/1SN, R2AT/2SN, R16/2SC, R17/1SC
- 2 MAX Jack



Balflex-USA		Female JIC 90°- BW23 Multicrimp Series					
PART NUMBER	Hose I.D.	Thread	A O.A.L	B Cut-Off	C Hex	D Hex	E Drop
BW2304-04FJ90	1/4	7/16 - 20	65.00	39.50	15.00	-	32.00
BW2304-05FJ90	1/4	1/2 - 20	-	-	-	-	-
BW2304-06FJ90	1/4	9/16 - 18	63.25	38.00	19.00	-	32.00
BW2306-06FJ90	3/8	9/16 - 18	73.00	40.00	19.00	-	37.00
BW2306-08FJ90	3/8	3/4 - 16	73.25	40.50	24.00	-	38.00
BW2308-08FJ90	1/2	3/4 - 16	80.00	49.50	24.00	-	42.00
BW2308-10FJ90	1/2	7/8 - 14	78.00	46.00	27.00	-	45.50
BW2308-12FJ90	1/2	1 1/16 - 12	78.75	47.50	32.00	-	45.25
BW2310-10FJ90	5/8	7/8 - 14	109.00	59.25	27.00	-	52.75
BW2312-12FJ90	3/4	1 1/16 - 12	113.50	71.50	32.00	-	63.35
BW2312-16FJ90	3/4	1 5/16 - 12	117.00	75.75	38.00	-	63.75
BW2316-16FJ90	1	1 5/16 - 12	134.00	84.00	38.00	-	71.00
BW2316-20FJ90	1	1 5/8 - 12	-	-	-	-	-
BW2320-20FJ90	1 1/4	1 5/8 - 12	156.35	99.00	50.00	-	85.25
BW2320-24FJ90	1 1/4	1 7/8 - 12	-	-	-	-	-
BW2324-24FJ90	1 1/2	1 7/8 - 12	180.35	123.50	55.00	-	108.00
BW2332-32FJ90	2	2 1/2 - 12	220.00	152.00	75.00	-	127.50

### Construction characteristics and dimensions may be changed at anytime without prior notice

The data contained herein is for information purposes only and does not enlarge, amend or imply any warranty other than provided by the manufacturer with the product.

Any use of the product not in conformance with the manufacturer's instruction may be dangerous

Only items in this catalog are carried in stock. Some items are subject to minimum quantities or sold in multiples of standard quantities. Please refer to the price list or contact our commercial department. Prices subject to change without notice.

# Balfit® BW23 FJIC 90° (L) Swivel - Multicrimp Series One Piece - Non Skive - Hydraulic Hose Fitting



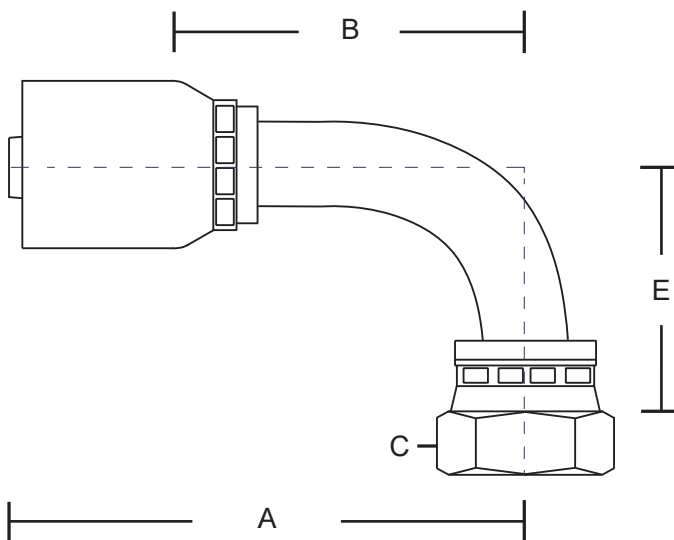
No Skive: 100R1AT/1SN, 100R2AT/2SN, 100R12, 100R16/2SC, 100R17/1SC, DIN4SP, DIN4SH, 2 Max Jack

### FEMALE JIC 90° SWIVEL - Long Drop

- One Piece - Carbon Steel
- Trivalent Zinc Plated - RoHS compliant
- SAE J514 / J516 & ISO 12151-5 / ISO8434-2

### Balflex Hose Compatibility:

- Forza Uno (R1AT/1SN), Forza Due (R2AT/2SN),
- Balpac Premium (R16/2SC), Balpac 3000 (R17/1SC),
- Artic 1 & 2, Tropic 1&2,
- Balmaster 100R12 & 4SP, Powerspir (4SH).
- BestFlex - Balmaster 100R12 & 4SP, Powerspir (4SH).
- Armorguard R1/1SN, R2AT/2SN, R16/2SC, R17/1SC
- 2 MAX Jack



Balflex-USA		Female JIC 90° long drop - BW23 Multicrimp Series					
PART NUMBER	Hose I.D.	Thread	A O.A.L	B Cut-Off	C Hex	D Hex	E Drop
BW2304-04FJ90L	1/4	7/16 - 20	62.25	35.50	15.00	-	44.75
BW2304-06FJ90L	1/4	9/16 - 18	69.75	44.00	19.00	-	40.50
BW2306-06FJ90L	3/8	9/16 - 18	72.50	40.75	19.00	-	53.50
BW2306-08FJ90L	3/8	3/4 - 16	71.50	39.00	24.00	-	53.50
BW2308-08FJ90L	1/2	3/4 - 16	78.75	47.00	24.00	-	63.50
BW2308-10FJ90L	1/2	7/8 - 14	-	-	-	-	-
BW2310-10FJ90L	5/8	7/8 - 14	117.00	66.75	27.00	-	66.00
BW2312-12FJ90L	3/4	1 1/16 - 12	114.25	71.25	32.00	-	95.00
BW2316-16FJ90L	1	1 5/16 - 12	136.00	85.50	38.00	-	110.25

### Construction characteristics and dimensions may be changed at anytime without prior notice

The data contained herein is for information purposes only and does not enlarge, amend or imply any warranty other than provided by the manufacturer with the product.

Any use of the product not in conformance with the manufacturer's instruction may be dangerous

Only items in this catalog are carried in stock. Some items are subject to minimum quantities or sold in multiples of standard quantities. Please refer to the price list or contact our commercial department. Prices subject to change without notice.





# Balfit<sup>®</sup> BW23 MALE OFT Swivel Multicrimp Series One Piece - Non Skive - Hydraulic Hose Fitting

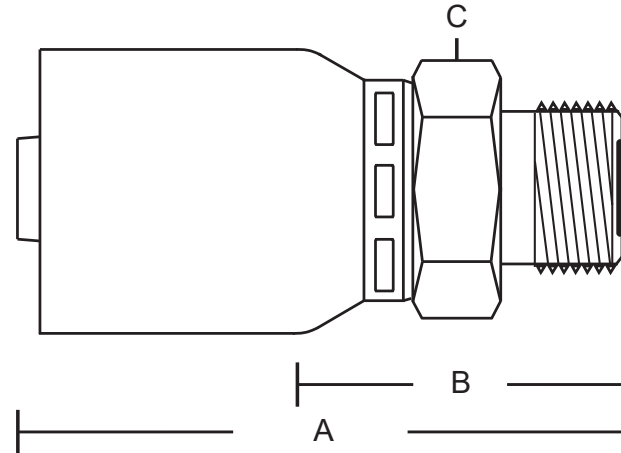
No Skive: 100R1AT/1SN, 100R2AT/2SN, 100R12, 100R16/2SC, 100R17/1SC, DIN4SP, DIN4SH, 2 Max Jack

### MALE O-RING FACE SEAL

- One Piece - Carbon Steel
- Trivalent Zinc Plated - RoHS compliant
- ISO 12151-1 & ISO 8434-3 SAE J1453

### Balflex Hose Compatibility:

- Forza Uno (R1AT/1SN), Forza Due (R2AT/2SN),
- Balpac Premium (R16/2SC), Balpac 3000 (R17/1SC),
- Artic 1 & 2, Tropic 1&2,
- Balmaster 100R12 & 4SP, Powerspir (4SH).
- BestFlex - Balmaster 100R12 & 4SP, Powerspir (4SH).
- Armorguard R1/1SN, R2AT/2SN, R16/2SC, R17/1SC
- 2 MAX Jack



Balflex-USA		Male OFT - BW23 Multicrimp Series					
PART NUMBER	Hose I.D.	Thread	A O.A.L	B Cut-Off	C Hex	D Hex	E Drop
BW2304-04OFTM	1/4	9/16 - 18	56.00	28.00	17.00	-	-
BW2306-06OFTM	3/8	11/16 - 16	60.50	27.75	19.00	-	-
BW2306-08OFTM	3/8	13/16 - 16	63.35	31.00	22.00	-	-
BW2308-08OFTM	1/2	13/16 - 16	64.00	31.50	22.00	-	-
BW2308-10OFTM	1/2	1 - 14	67.85	35.50	27.00	-	-
BW2310-10OFTM	5/8	1 - 14	89.25	38.75	27.00	-	-
BW2310-12OFTM	5/8	1 3/16 - 12	91.25	41.00	32.00	-	-
BW2312-12OFTM	3/4	1 3/16 - 12	85.00	41.50	32.00	-	-
BW2316-16OFTM	1	1 7/16 - 12	94.00	42.50	38.00	-	-
BW2320-20OFTM	1 1/4	1 11/16 - 12	-	-	-	-	-

### Construction characteristics and dimensions may be changed at anytime without prior notice

The data contained herein is for information purposes only and does not enlarge, amend or imply any warranty other than provided by the manufacturer with the product.

Any use of the product not in conformance with the manufacturer's instruction may be dangerous

Only items in this catalog are carried in stock. Some items are subject to minimum quantities or sold in multiples of standard quantities. Please refer to the price list or contact our commercial department. Prices subject to change without notice.

# Balfit<sup>®</sup> BW23 OFT Swivel Multicrimp Series One Piece - Non Skive - Hydraulic Hose Fitting



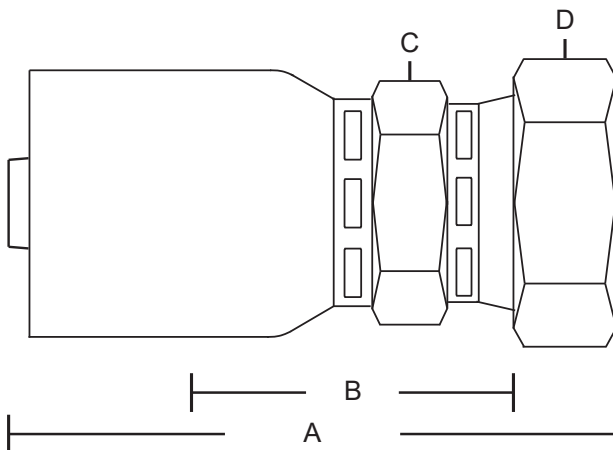
No Skive: 100R1AT/1SN, 100R2AT/2SN, 100R12, 100R16/2SC, 100R17/1SC, DIN4SP, DIN4SH, 2 Max Jack

### O ring Face Seal (OFT)

- One Piece - Carbon Steel
- Trivalent Zinc Plated - RoHS compliant
- ISO 12151-1 & ISO 8434-3 SAE J1453

### Balflex Hose Compatibility:

- Forza Uno (R1AT/1SN), Forza Due (R2AT/2SN),
- Balpac Premium (R16/2SC), Balpac 3000 (R17/1SC),
- Artic 1 & 2, Tropic 1&2,
- Balmaster 100R12 & 4SP, Powerspir (4SH).
- BestFlex - Balmaster 100R12 & 4SP, Powerspir (4SH).
- Armorguard R1/1SN, R2AT/2SN, R16/2SC, R17/1SC
- 2 MAX Jack



Balflex-USA		O-Ring Face Seal - BW23 Multicrimp Series					
PART NUMBER	Hose I.D.	Thread	A O.A.L	B Cut-Off	C Hex	D Hex	E Drop
BW2304-04OFT	1/4	9/16 - 18	59.25	33.25	17.00	19.00	-
BW2304-06OFT	1/4	11/16 - 16	62.75	36.50	19.00	22.00	-
BW2306-04OFT	3/8	9/16 - 18	64.00	32.00	17.00	19.00	-
BW2306-06OFT	3/8	11/16 - 16	66.75	35.00	19.00	22.00	-
BW2306-08OFT	3/8	13/16 - 16	72.25	40.25	22.00	24.00	-
BW2308-06OFT	1/2	11/16 - 16	65.00	33.50	19.00	22.00	-
BW2308-08OFT	1/2	13/16 - 16	71.00	39.50	22.00	24.00	-
BW2308-10OFT	1/2	1 - 14	75.75	43.00	24.00	30.00	-
BW2308-12OFT	1/2	1 3/16 - 12	74.75	43.00	24.00	30.00	-
BW2310-10OFT	5/8	1 - 14	94.75	45.25	24.00	30.00	-
BW2310-12OFT	5/8	1 3/16 - 12	98.00	48.25	30.00	36.00	-
BW2312-12OFT	3/4	1 3/16 - 12	91.00	49.00	30.00	36.00	-
BW2312-16OFT	3/4	1 7/16 - 12	96.00	36.25	36.00	41.00	-
BW2316-12OFT	1	1 3/16 - 12	100.00	49.00	36.00	36.00	-
BW2316-16OFT	1	1 7/16 - 12	101.00	50.00	36.00	41.00	-
BW2320-20OFT	1 1/4	1 11/16 - 12	115.00	58.75	41.00	50.00	-
BW2324-24OFT	1 1/2	2 - 12	122.50	68.00	55.00	60.00	-

Construction characteristics and dimensions may be changed at anytime without prior notice

The data contained herein is for information purposes only and does not enlarge, amend or imply any warranty other than provided by the manufacturer with the product.

Any use of the product not in conformance with the manufacturer's instruction may be dangerous

Only items in this catalog are carried in stock. Some items are subject to minimum quantities or sold in multiples of standard quantities. Please refer to the price list or contact our commercial department. Prices subject to change without notice.



# Balfit<sup>®</sup> BW23 OFT 45° Swivel - Multicrimp Series One Piece - Non Skive - Hydraulic Hose Fitting

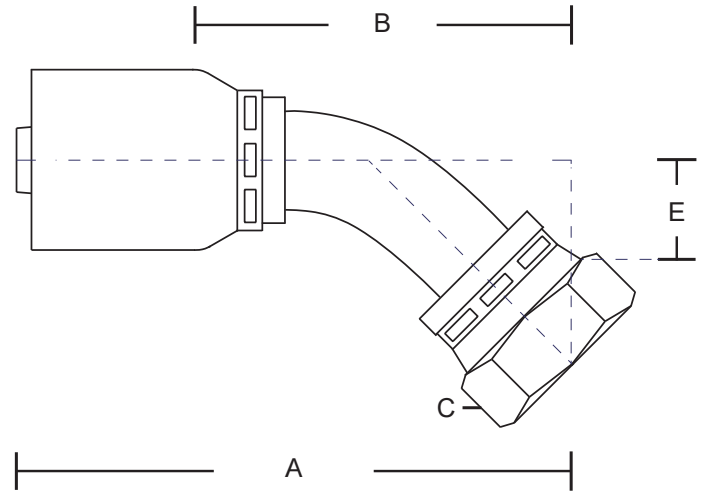
No Skive: 100R1AT/1SN, 100R2AT/2SN, 100R12, 100R16/2SC, 100R17/1SC, DIN4SP, DIN4SH, 2 Max Jack

### O-RING FACE SEAL 45° SWIVEL

- One Piece - Carbon Steel
- Trivalent Zinc Plated - RoHS compliant
- ISO 12151-1 & ISO 8434-3 SAE J1453

### Balflex Hose Compatibility:

- Forza Uno (R1AT/1SN), Forza Due (R2AT/2SN),
- Balpac Premium (R16/2SC), Balpac 3000 (R17/1SC),
- Artic 1 & 2, Tropic 1&2,
- Balmaster 100R12 & 4SP, Powerspir (4SH).
- BestFlex - Balmaster 100R12 & 4SP, Powerspir (4SH).
- Armorguard R1/1SN, R2AT/2SN, R16/2SC, R17/1SC
- 2 MAX Jack



Balflex-USA		OFT 45° - BW23 Multicrimp Series					
PART NUMBER	Hose I.D.	Thread	A O.A.L	B Cut-Off	C Hex	D Hex	E Drop
BW2304-04OF45	1/4	9/16 - 18	78.00	53.75	19.00	-	13.00
BW2304-06OF45	1/4	11/16 - 16	72.25	47.50	22.00	-	19.25
BW2306-04OF45	3/8	9/16 - 18	80.75	47.75	19.00	-	23.75
BW2306-06OF45	3/8	3/8 - 18	81.75	49.50	22.00	-	32.50
BW2306-08OF45	3/8	11/16 - 16	79.00	46.50	24.00	-	22.75
BW2308-06OF45	1/2	3/8 - 18	79.00	48.50	22.00	-	29.00
BW2308-08OF45	1/2	11/16 - 16	97.50	67.00	24.00	-	35.50
BW2308-10OF45	1/2	13/16 - 16	92.00	59.75	29.00	-	23.25
BW2310-10OF45	5/8	13/16 - 16	133.50	84.00	30.00	-	38.25
BW2312-12OF45	3/4	1 - 14	135.00	94.00	36.00	-	37.00
BW2312-16OF45	3/4	1 3/16 - 12	126.00	85.00	41.00	-	32.00
BW2316-16OF45	1	1 7/16 - 12	149.75	99.00	41.00	-	43.00
BW2320-20OF45	1 1/4	1 7/16 - 12	168.00	136.00	50.00	-	50.50
BW2324-24OF45	1 1/2	2 - 12	193.25	137.50	60.00	-	54.50

### Construction characteristics and dimensions may be changed at anytime without prior notice

The data contained herein is for information purposes only and does not enlarge, amend or imply any warranty other than provided by the manufacturer with the product.

Any use of the product not in conformance with the manufacturer's instruction may be dangerous

Only items in this catalog are carried in stock. Some items are subject to minimum quantities or sold in multiples of standard quantities. Please refer to the price list or contact our commercial department. Prices subject to change without notice.

# Balfit<sup>®</sup> BW23 OFT 90° Swivel - Multicrimp Series One Piece - Non Skive - Hydraulic Hose Fitting



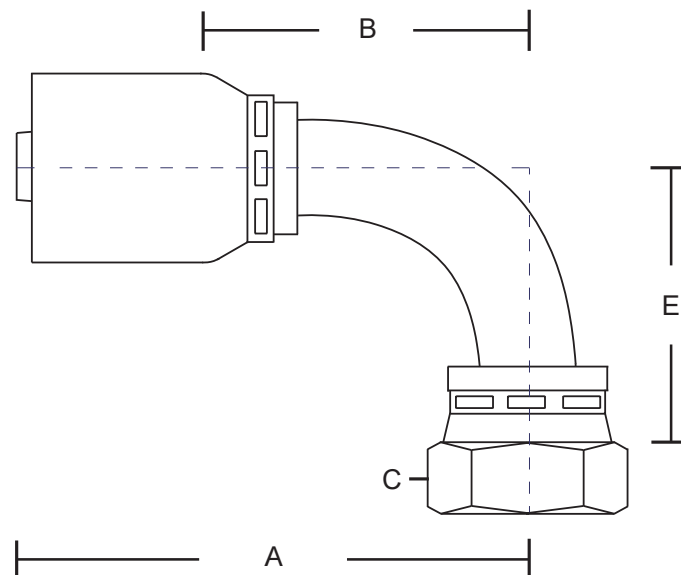
No Skive: 100R1AT/1SN, 100R2AT/2SN, 100R12, 100R16/2SC, 100R17/1SC, DIN4SP, DIN4SH, 2 Max Jack

### O-RING FACE 90° SWIVEL (OFT)

- One Piece - Carbon Steel
- Trivalent Zinc Plated - RoHS compliant
- ISO 12151-1 & ISO 8434-3 SAE J1453

### Balflex Hose Compatibility:

- Forza Uno (R1AT/1SN), Forza Due (R2AT/2SN),
- Balpac Premium (R16/2SC), Balpac 3000 (R17/1SC),
- Artic 1 & 2, Tropic 1&2,
- Balmaster 100R12 & 4SP, Powerspir (4SH).
- BestFlex - Balmaster 100R12 & 4SP, Powerspir (4SH).
- Armorguard R1/1SN, R2AT/2SN, R16/2SC, R17/1SC
- 2 MAX Jack



Balflex-USA		OFT 90° - BW23 Multicrimp Series					
PART NUMBER	Hose I.D.	Thread	A O.A.L	B Cut-Off	C Hex	D Hex	E Drop
BW2304-04OF90	1/4	9/16 - 18	63.25	37.75	19.00	-	30.75
BW2304-06OF90	1/4	11/16 - 16	63.25	37.75	22.00	-	33.50
BW2306-06OF90	3/8	11/16 - 16	71.50	39.75	22.00	-	51.00
BW2306-08OF90	3/8	13/16 - 16	70.00	38.50	24.00	-	40.00
BW2308-06OF90	1/2	11/16 - 16	76.00	44.00	22.00	-	41.50
BW2308-08OF90	1/2	13/16 - 16	78.00	45.50	27.00	-	59.50
BW2308-10OF90	1/2	1 - 14	74.50	42.50	30.00	-	47.00
BW2308-12OF90	1/2	1 3/16 - 12	80.00	49.25	36.00	-	57.00
BW2310-08OF90	5/8	13/16 - 16	-	-	-	-	-
BW2310-10OF90	5/8	1-14	110.00	59.50	30.00	-	69.25
BW2312-12OF90	3/4	1 3/16 - 12	116.25	73.75	36.00	-	80.00
BW2312-16OF90	3/4	1 7/16 - 12	113.50	72.50	41.00	-	67.50
BW2316-12OF90	1	1 3/16 - 12	-	-	-	-	-
BW2316-16OF90	1	1 7/16 - 12	129.25	79.00	41.00	-	89.00
BW2320-20OF90	1 1/4	1 11/16 - 12	156.00	100.00	50.00	-	99.50
BW2324-24OF90	1 1/2	2 - 12	176.00	122.00	60.00	-	123.00

Construction characteristics and dimensions may be changed at anytime without prior notice

The data contained herein is for information purposes only and does not enlarge, amend or imply any warranty other than provided by the manufacturer with the product.

Any use of the product not in conformance with the manufacturer's instruction may be dangerous

Only items in this catalog are carried in stock. Some items are subject to minimum quantities or sold in multiples of standard quantities. Please refer to the price list or contact our commercial department. Prices subject to change without notice.



# Balfit<sup>®</sup> BW23 Male O-Ring Boss - Multicrimp Series One Piece - Non Skive - Hydraulic Hose Fitting

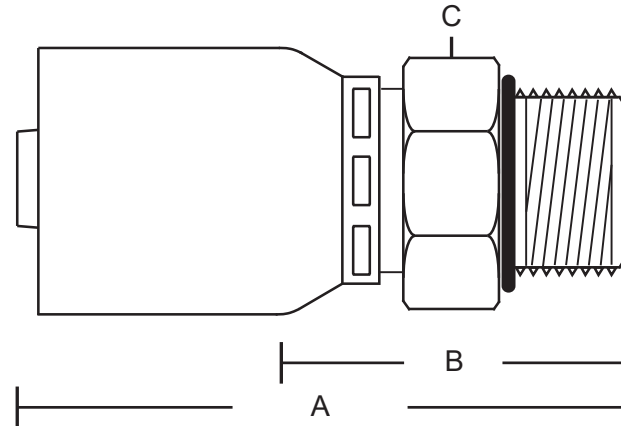
No Skive: 100R1AT/1SN, 100R2AT/2SN, 100R12, 100R16/2SC, 100R17/1SC, DIN4SP, DIN4SH, 2 Max Jack

## MALE O-RING BOSS

- One Piece - Carbon Steel
- Trivalent Zinc Plated - RoHS compliant
- SAE J514

## Balflex Hose Compatibility:

- Forza Uno (R1AT/1SN), Forza Due (R2AT/2SN),
- Balpac Premium (R16/2SC), Balpac 3000 (R17/1SC),
- Artic 1 & 2, Tropic 1&2,
- Balmaster 100R12 & 4SP, Powerspir (4SH).
- BestFlex - Balmaster 100R12 & 4SP, Powerspir (4SH).
- Armorguard R1/1SN, R2AT/2SN, R16/2SC, R17/1SC
- 2 MAX Jack



Balflex-USA		Male O-Ring Boss - BW23 Multicrimp Series					
PART NUMBER	Hose I.D.	Thread	A O.A.L	B Cut-Off	C Hex	D Hex	E Drop
BW2304-04RA	1/4	7/16 - 20	54.00	28.65	14.00	-	-
BW2304-05RA	1/4	1/2 - 20	-	-	-	-	-
BW2304-06RA	1/4	9/16 - 18	-	-	-	-	-
BW2306-06RA	3/8	9/16 - 18	58.00	26.40	17.00	-	-
BW2306-08RA	3/8	3/4 - 16	59.20	26.60	22.00	-	-
BW2306-10RA	3/8	7/8 - 14	-	-	-	-	-
BW2308-06RA	1/2	9/16 - 18	-	-	-	-	-
BW2308-08RA	1/2	3/4 - 16	58.90	28.10	22.00	-	-
BW2308-10RA	1/2	7/8 - 14	65.00	33.70	27.00	-	-
BW2308-12RA	1/2	1 1/16 - 12	-	-	-	-	-
BW2310-10RA	5/8	7/8 - 14	90.25	39.55	38.00	-	-
BW2310-12RA	5/8	1 1/16 - 12	-	-	-	-	-
BW2312-12RA	3/4	1 1/16 - 12	81.35	39.50	32.00	-	-
BW2312-16RA	3/4	1 5/16 - 12	-	-	-	-	-
BW2316-16RA	1	1 5/16 - 12	90.25	39.00	38.00	-	-

### Construction characteristics and dimensions may be changed at anytime without prior notice

The data contained herein is for information purposes only and does not enlarge, amend or imply any warranty other than provided by the manufacturer with the product.

Any use of the product not in conformance with the manufacturer's instruction may be dangerous

Only items in this catalog are carried in stock. Some items are subject to minimum quantities or sold in multiples of standard quantities. Please refer to the price list or contact our commercial department. Prices subject to change without notice.

# Balfit<sup>®</sup> BW23 Code 61 - Multicrimp Series One Piece - Non Skive - Hydraulic Hose Fitting



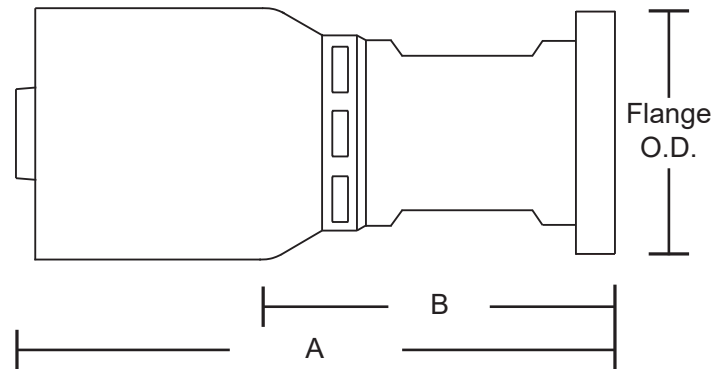
No Skive: 100R1AT/1SN, 100R2AT/2SN, 100R12, 100R16/2SC, 100R17/1SC, DIN4SP, DIN4SH, 2 Max Jack

## CODE 61

- One Piece - Carbon Steel
- Trivalent Zinc Plated - RoHS compliant
- ISO 6162 & 12151-3, SAE J516 & J518

## Balflex Hose Compatibility:

- Forza Uno (R1AT/1SN), Forza Due (R2AT/2SN),
- Balpac Premium (R16/2SC), Balpac 3000 (R17/1SC),
- Artic 1 & 2, Tropic 1&2,
- Balmaster 100R12 & 4SP, Powerspir (4SH).
- BestFlex - Balmaster 100R12 & 4SP, Powerspir (4SH).
- Armorguard R1/1SN, R2AT/2SN, R16/2SC, R17/1SC
- 2 MAX Jack



Balflex-USA		Code 61 Flange - BW23 Multicrimp Series					
PART NUMBER	Hose I.D.	Flange O.D.	A O.A.L	B Cut-Off	C Hex	D Hex	E Drop
BW2308-08PA	1/2	30.50	79.50	48.50	-	-	-
BW2308-12PA	1/2	-	-	-	-	-	-
BW2312-12PA	3/4	38.00	96.50	54.00	-	-	-
BW2312-16PA	3/4	44.65	100.00	57.00	-	-	-
BW2316-16PA	1	44.50	106.00	54.50	-	-	-
BW2316-20PA	1	50.75	115.00	64.00	-	-	-
BW2320-20PA	1.25	51.00	122.00	65.00	-	-	-
BW2320-24PA	1.25	-	-	-	-	-	-
BW2324-24PA	1.5	60.25	134.00	80.25	-	-	-
BW2324-32PA	1.5	-	-	-	-	-	-
BW2332-32PA	2	71.25	154.25	85.50	-	-	-

## Construction characteristics and dimensions may be changed at anytime without prior notice

The data contained herein is for information purposes only and does not enlarge, amend or imply any warranty other than provided by the manufacturer with the product.

Any use of the product not in conformance with the manufacturer's instruction may be dangerous

Only items in this catalog are carried in stock. Some items are subject to minimum quantities or sold in multiples of standard quantities. Please refer to the price list or contact our commercial department. Prices subject to change without notice.



# Balfit<sup>®</sup> BW23 Code 61 - 45° Swivel - Multicrimp Series One Piece - Non Skive - Hydraulic Hose Fitting

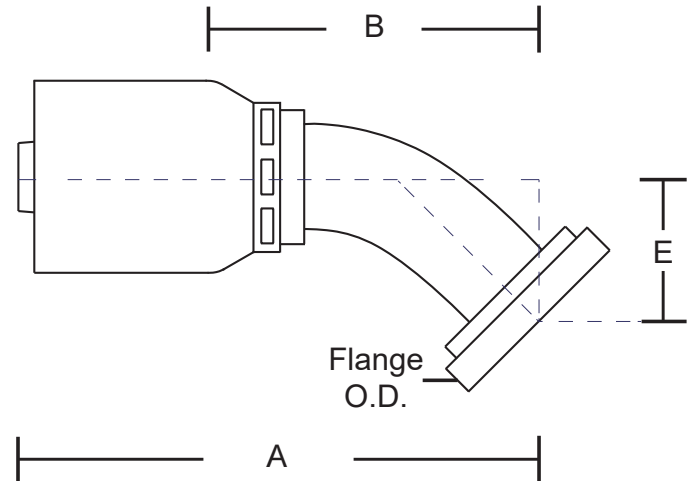
No Skive: 100R1AT/1SN, 100R2AT/2SN, 100R12, 100R16/2SC, 100R17/1SC, DIN4SP, DIN4SH, 2 Max Jack

### CODE 61 - 45°

- One Piece - Carbon Steel
- Trivalent Zinc Plated - RoHS compliant
- ISO 6162 & 12151-3, SAE J516 & J518

### Balflex Hose Compatibility:

- Forza Uno (R1AT/1SN), Forza Due (R2AT/2SN),
- Balpac Premium (R16/2SC), Balpac 3000 (R17/1SC),
- Artic 1 & 2, Tropic 1&2,
- Balmaster 100R12 & 4SP, Powerspir (4SH).
- BestFlex - Balmaster 100R12 & 4SP, Powerspir (4SH).
- Armorguard R1/1SN, R2AT/2SN, R16/2SC, R17/1SC
- 2 MAX Jack



Balflex-USA		Code 61 Flange 45° - BW23 Multicrimp Series					
PART NUMBER	Hose I.D.	Flange O.D.	A O.A.L	B Cut-Off	C Hex	D Hex	E Drop
BW2308-08PA45	1/2	30.25	94.00	61.75	-	-	23.75
BW2308-12PA45	1/2	-	-	-	-	-	-
BW2312-12PA45	3/4	38.00	127.00	85.50	-	-	31.00
BW2312-16PA45	3/4	44.50	126.25	84.50	-	-	31.50
BW2316-16PA45	1	44.50	137.50	86.75	-	-	33.00
BW2316-20PA45	1	50.65	141.00	90.25	-	-	35.00
BW2320-20PA45	1 1/4	50.75	158.50	100.75	-	-	37.50
BW2320-24PA45	1 1/4	-	-	-	-	-	-
BW2324-24PA45	1 1/2	60.25	183.75	128.50	-	-	45.00
BW2332-32PA45	2	71.35	218.00	150.50	-	-	53.75

### Construction characteristics and dimensions may be changed at anytime without prior notice

The data contained herein is for information purposes only and does not enlarge, amend or imply any warranty other than provided by the manufacturer with the product.

Any use of the product not in conformance with the manufacturer's instruction may be dangerous

Only items in this catalog are carried in stock. Some items are subject to minimum quantities or sold in multiples of standard quantities. Please refer to the price list or contact our commercial department. Prices subject to change without notice.

# Balfit® BW23 Code 61 - 90° Swivel - Multicrimp Series One Piece - Non Skive - Hydraulic Hose Fitting



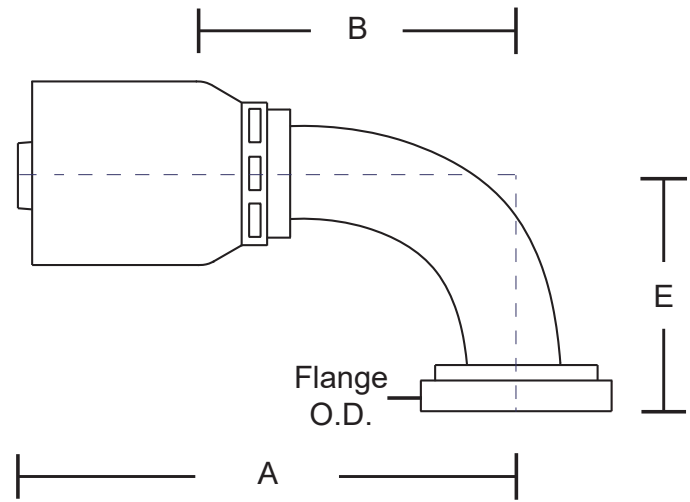
No Skive: 100R1AT/1SN, 100R2AT/2SN, 100R12, 100R16/2SC, 100R17/1SC, DIN4SP, DIN4SH, 2 Max Jack

### CODE 61 - 90°

- One Piece - Carbon Steel
- Trivalent Zinc Plated - RoHS compliant
- ISO 6162 & 12151-3, SAE J516 & J518

### Balflex Hose Compatibility:

- Forza Uno (R1AT/1SN), Forza Due (R2AT/2SN),
- Balpac Premium (R16/2SC), Balpac 3000 (R17/1SC),
- Artic 1 & 2, Tropic 1&2,
- Balmaster 100R12 & 4SP, Powerspir (4SH).
- BestFlex - Balmaster 100R12 & 4SP, Powerspir (4SH).
- Armorguard R1/1SN, R2AT/2SN, R16/2SC, R17/1SC
- 2 MAX Jack



Balflex-USA		Code 61 Flange 90° - BW23 Multicrimp Series					
PART NUMBER	Hose I.D.	Flange O.D.	A O.A.L	B Cut-Off	C Hex	D Hex	E Drop
BW2308-08PA90	1/2	-	-	-	-	-	-
BW2308-12PA90	1/2	38.15	78.25	47.75	-	-	57.75
BW2312-12PA90	3/4	38.25	117.25	74.25	-	-	60.00
BW2312-16PA90	3/4	44.50	115.00	72.50	-	-	60.50
BW2316-16PA90	1	44.35	130.25	79.50	-	-	69.75
BW2316-20PA90	1	50.75	128.00	76.75	-	-	75.75
BW2320-20PA90	1 1/4	50.75	156.00	98.00	-	-	84.25
BW2320-24PA90	1 1/4	-	-	-	-	-	-
BW2324-24PA90	1 1/2	60.25	178.25	123.25	-	-	104.50
BW2324-32PA90	1 1/2	-	-	-	-	-	-
BW2332-32PA90	2	71.50	215.75	150.75	-	-	122.00

### Construction characteristics and dimensions may be changed at anytime without prior notice

The data contained herein is for information purposes only and does not enlarge, amend or imply any warranty other than provided by the manufacturer with the product.

Any use of the product not in conformance with the manufacturer's instruction may be dangerous

Only items in this catalog are carried in stock. Some items are subject to minimum quantities or sold in multiples of standard quantities. Please refer to the price list or contact our commercial department. Prices subject to change without notice.





# Balfit<sup>®</sup> BW23 Code 62 - Multicrimp Series One Piece - Non Skive - Hydraulic Hose Fitting

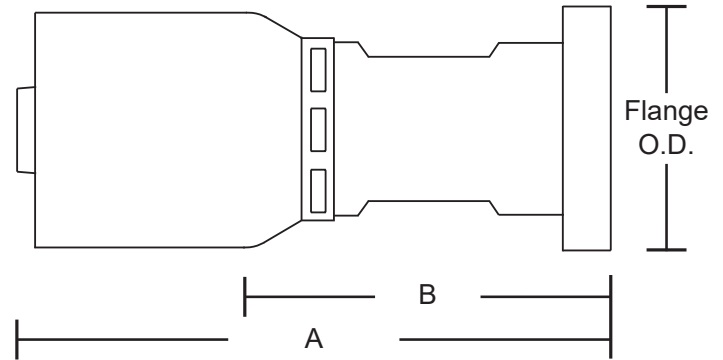
No Skive: 100R1AT/1SN, 100R2AT/2SN, 100R12, 100R16/2SC, 100R17/1SC, DIN4SP, DIN4SH, 2 Max Jack

### CODE 62

- One Piece - Carbon Steel
- Trivalent Zinc Plated - RoHS compliant
- ISO 6162 & 12151-3, SAE J516 & J518

### Balflex Hose Compatibility:

- Forza Uno (R1AT/1SN), Forza Due (R2AT/2SN),
- Balpac Premium (R16/2SC), Balpac 3000 (R17/1SC),
- Artic 1 & 2, Tropic 1&2,
- Balmaster 100R12 & 4SP, Powerspir (4SH).
- BestFlex - Balmaster 100R12 & 4SP, Powerspir (4SH).
- Armorguard R1/1SN, R2AT/2SN, R16/2SC, R17/1SC
- 2 MAX Jack



Balflex-USA		Code 61 Flange - BW23 Multicrimp Series					
PART NUMBER	Hose I.D.	Flange O.D.	A O.A.L	B Cut-Off	C Hex	D Hex	E Drop
BW2308-08PH	1/2	30.50	79.50	48.50	-	-	-
BW2308-12PH	1/2	-	-	-	-	-	-
BW2312-12PH	3/4	38.00	96.50	54.00	-	-	-
BW2312-16PH	3/4	44.65	100.00	57.00	-	-	-
BW2316-16PH	1	44.50	106.00	54.50	-	-	-
BW2316-20PH	1	50.75	115.00	64.00	-	-	-
BW2320-20PH	1.25	51.00	122.00	65.00	-	-	-
BW2320-24PH	1.25	-	-	-	-	-	-
BW2324-24PH	1.5	60.25	134.00	80.25	-	-	-
BW2324-32PH	1.5	-	-	-	-	-	-
BW2332-32PH	2	71.25	154.25	85.50	-	-	-

### Construction characteristics and dimensions may be changed at anytime without prior notice

The data contained herein is for information purposes only and does not enlarge, amend or imply any warranty other than provided by the manufacturer with the product.

Any use of the product not in conformance with the manufacturer's instruction may be dangerous

Only items in this catalog are carried in stock. Some items are subject to minimum quantities or sold in multiples of standard quantities. Please refer to the price list or contact our commercial department. Prices subject to change without notice.

# Balfit<sup>®</sup> BW23 Code 62 - 45° Multicrimp Series One Piece - Non Skive - Hydraulic Hose Fitting



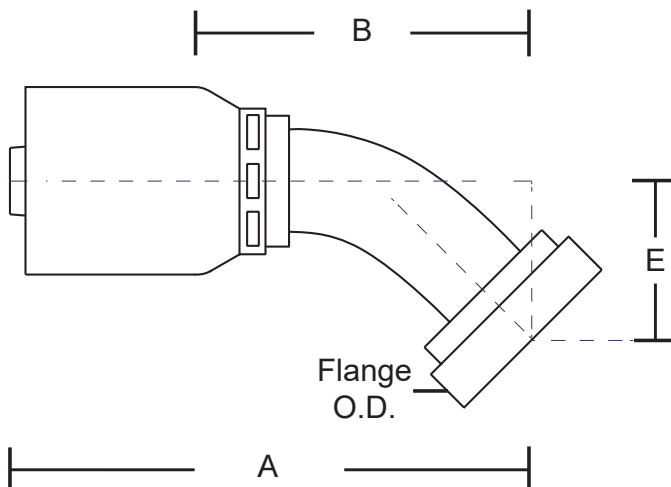
No Skive: 100R1AT/1SN, 100R2AT/2SN, 100R12, 100R16/2SC, 100R17/1SC, DIN4SP, DIN4SH, 2 Max Jack

## CODE 62 - 45°

- One Piece - Carbon Steel
- Trivalent Zinc Plated - RoHS compliant
- ISO 6162 & 12151-3, SAE J516 & J518

## Balflex Hose Compatibility:

- Forza Uno (R1AT/1SN), Forza Due (R2AT/2SN),
- Balpac Premium (R16/2SC), Balpac 3000 (R17/1SC),
- Artic 1 & 2, Tropic 1&2,
- Balmaster 100R12 & 4SP, Powerspir (4SH).
- BestFlex - Balmaster 100R12 & 4SP, Powerspir (4SH).
- Armorguard R1/1SN, R2AT/2SN, R16/2SC, R17/1SC
- 2 MAX Jack



Balflex-USA		Code 62 Flange 45° - BW23 Multicrimp Series					
PART NUMBER	Hose I.D.	Flange O.D.	A O.A.L	B Cut-Off	C Hex	D Hex	E Drop
BW2308-08PH45	1/2	-	-	-	-	-	-
BW2312-12PH45	3/4	41.25	130.00	88.50	-	-	34.25
BW2312-16PH45	3/4	47.65	131.00	98.25	-	-	38.50
BW2316-16PH45	1	47.75	141.75	92.00	-	-	43.50
BW2316-20PH45	1	-	-	-	-	-	-
BW2320-20PH45	1 1/4	54.00	162.00	104.00	-	-	1.480
BW2324-24PH45	1 1/2	63.50	183.25	130.00	-	-	51.00
BW2332-32PH45	2	79.50	229.50	163.00	-	-	54.75

## Construction characteristics and dimensions may be changed at anytime without prior notice

The data contained herein is for information purposes only and does not enlarge, amend or imply any warranty other than provided by the manufacturer with the product.

Any use of the product not in conformance with the manufacturer's instruction may be dangerous

Only items in this catalog are carried in stock. Some items are subject to minimum quantities or sold in multiples of standard quantities. Please refer to the price list or contact our commercial department. Prices subject to change without notice.



# Balfit<sup>®</sup> BW23 Code 62 - 90° Multicrimp Series One Piece - Non Skive - Hydraulic Hose Fitting

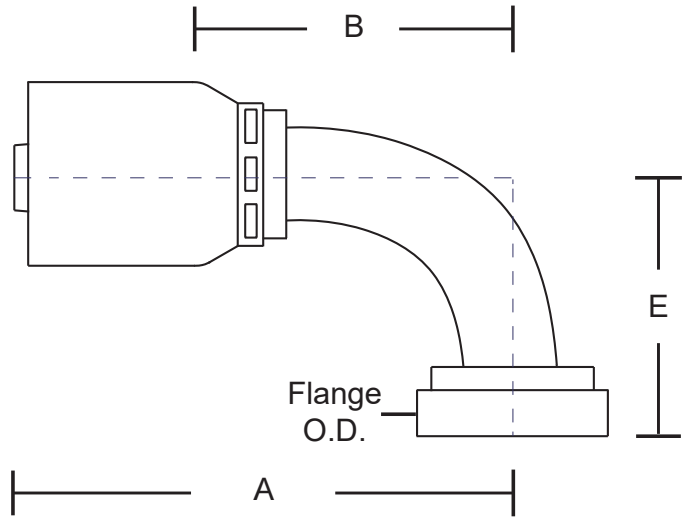
No Skive: 100R1AT/1SN, 100R2AT/2SN, 100R12, 100R16/2SC, 100R17/1SC, DIN4SP, DIN4SH, 2 Max Jack

### CODE 62 - 90°

- One Piece - Carbon Steel
- Trivalent Zinc Plated - RoHS compliant
- ISO 6162 & 12151-3, SAE J516 & J518

### Balflex Hose Compatibility:

- Forza Uno (R1AT/1SN), Forza Due (R2AT/2SN),
- Balpac Premium (R16/2SC), Balpac 3000 (R17/1SC),
- Artic 1 & 2, Tropic 1&2,
- Balmaster 100R12 & 4SP, Powerspir (4SH).
- BestFlex - Balmaster 100R12 & 4SP, Powerspir (4SH).
- Armorguard R1/1SN, R2AT/2SN, R16/2SC, R17/1SC
- 2 MAX Jack



Balflex-USA		Code 62 Flange 90° - BW23 Multicrimp Series					
PART NUMBER	Hose I.D.	Flange O.D.	A O.A.L	B Cut-Off	C Hex	D Hex	E Drop
BW2308-08PH90	1/2	31.75	80.75	50.00	-	-	42.00
BW2308-12PH90	1/2	41.25	78.25	47.75	-	-	57.75
BW2312-12PH90	3/4	40.75	111.75	69.25	-	-	68.50
BW2312-16PH90	3/4	47.75	114.75	72.00	-	-	74.00
BW2316-16PH90	1	47.75	132.75	81.25	-	-	77.00
BW2316-20PH90	1	-	-	-	-	-	-
BW2320-20PH90	1 1/4	54.00	154.00	96.75	-	-	92.50
BW2320-24PH90	1 1/4	-	-	-	-	-	-
BW2324-24PH90	1 1/2	63.50	178.75	123.00	-	-	113.00
BW2332-32PH90	2	79.50	220.75	155.00	-	-	141.25

### Construction characteristics and dimensions may be changed at anytime without prior notice

The data contained herein is for information purposes only and does not enlarge, amend or imply any warranty other than provided by the manufacturer with the product.

Any use of the product not in conformance with the manufacturer's instruction may be dangerous

Only items in this catalog are carried in stock. Some items are subject to minimum quantities or sold in multiples of standard quantities. Please refer to the price list or contact our commercial department. Prices subject to change without notice.

# Balfit® BW23 BSP Female Swivel - Multicrimp Series One Piece - Non Skive - Hydraulic Hose Fitting



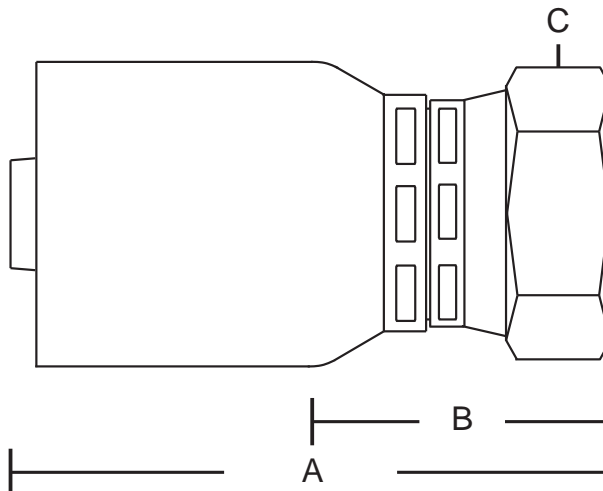
No Skive: 100R1AT/1SN, 100R2AT/2SN, 100R12, 100R16/2SC, 100R17/1SC, DIN4SP, DIN4SH, 2 Max Jack

## BSP FEMALE SWIVEL - 60° CONE

- One Piece - Carbon Steel
- Trivalent Zinc Plated - RoHS compliant
- ISO WD 12151-6.2 & WD 8434-6.2, BS 5200

## Balflex Hose Compatibility:

- Forza Uno (R1AT/1SN), Forza Due (R2AT/2SN),
- Balpac Premium (R16/2SC), Balpac 3000 (R17/1SC),
- Artic 1 & 2, Tropic 1&2,
- Balmaster 100R12 & 4SP, Powerspir (4SH).
- BestFlex - Balmaster 100R12 & 4SP, Powerspir (4SH).
- Armorguard R1/1SN, R2AT/2SN, R16/2SC, R17/1SC
- 2 MAX Jack



Balflex-USA		BSP Female Swivel - BW23 Multicrimp Series					
PART NUMBER	Hose I.D.	Thread	A O.A.L	B Cut-Off	C Hex	D Hex	E Drop
BW2304-04BSPXF	1/4	1/4 - 19	55.00	26.50	19.00	-	-
BW2304-06BSPXF	1/4	3/8 - 19	56.50	30.00	22.00	-	-
BW2306-04BSPXF	3/8	1/4 - 19	58.50	25.50	19.00	-	-
BW2306-06BSPXF	3/8	3/8 - 19	-	-	-	-	-
BW2306-08BSPXF	3/8	1/2 - 14	62.00	29.50	27.00	-	-
BW2308-06BSPXF	1/2	3/8 - 19	59.13	28.00	22.00	-	-
BW2308-08BSPXF	1/2	1/2 - 14	62.00	30.20	27.00	-	-
BW2308-10BSPXF	1/2	5/8 - 14	-	-	-	-	-
BW2308-12BSPXF	1/2	3/4 - 14	59.75	26.75	22.00	-	-
BW2310-10BSPXF	5/8	5/8 - 14	85.50	35.75	30.00	-	-
BW2312-12BSPXF	3/4	3/4 - 14	81.25	38.30	32.00	-	-
BW2316-16BSPXF	1	1 - 11	91.00	39.50	41.00	-	-
BW2320-20BSPXF	1 1/4	1 1/4 - 11	104.50	45.75	50.00	-	-
BW2324-24BSPXF	1 1/2	1 1/2 - 11	-	-	-	-	-
BW2332-24BSPXF	1 1/2	1 1/2 - 11	111.00	56.50	55.00	-	-
BW2332-32BSPXF	2	2 - 11	134.25	67.00	70.00	-	-

### Construction characteristics and dimensions may be changed at anytime without prior notice

The data contained herein is for information purposes only and does not enlarge, amend or imply any warranty other than provided by the manufacturer with the product.

Any use of the product not in conformance with the manufacturer's instruction may be dangerous

Only items in this catalog are carried in stock. Some items are subject to minimum quantities or sold in multiples of standard quantities. Please refer to the price list or contact our commercial department. Prices subject to change without notice.



# Balflex® BW23 BSP Female - 45° Multicrimp Series One Piece - Non Skive - Hydraulic Hose Fitting

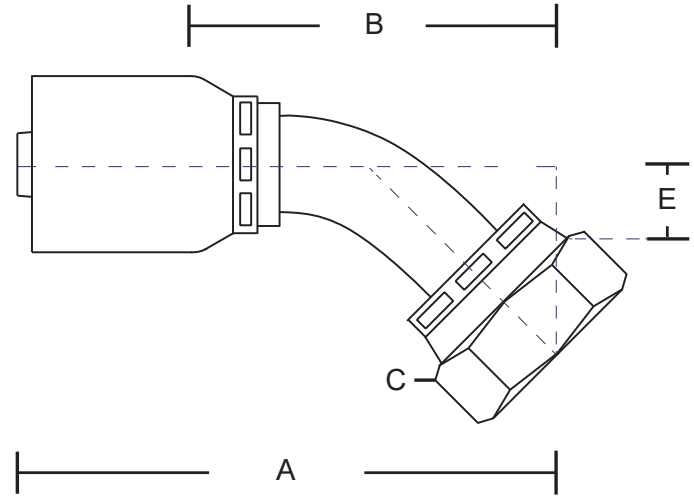
No Skive: 100R1AT/1SN, 100R2AT/2SN, 100R12, 100R16/2SC, 100R17/1SC, DIN4SP, DIN4SH, 2 Max Jack

### BSP FEMALE - 45° SWIVEL - 60° CONE

- One Piece - Carbon Steel
- Trivalent Zinc Plated - RoHS compliant
- ISO WD 12151-6.2 & WD 8434-6.2, BS 5200

### Balflex Hose Compatibility:

- Forza Uno (R1AT/1SN), Forza Due (R2AT/2SN),
- Balpac Premium (R16/2SC), Balpac 3000 (R17/1SC),
- Artic 1 & 2, Tropic 1&2,
- Balmaster 100R12 & 4SP, Powerspir (4SH).
- BestFlex - Balmaster 100R12 & 4SP, Powerspir (4SH).
- Armorguard R1/1SN, R2AT/2SN, R16/2SC, R17/1SC
- 2 MAX Jack



Balflex-USA		BSP Female 90° Swivel - BW23 Multicrimp Series					
PART NUMBER	Hose I.D.	Thread	A O.A.L	B Cut-Off	C Hex	D Hex	E Drop
BW2304-04BSPXF45	1/4	1/4 - 19	77.25	50.00	19.00	-	24.35
BW2304-06BSPXF45	1/4	3/8 - 19	-	-	-	-	-
BW2306-06BSPXF45	3/8	3/8 - 19	87.55	54.00	22.00	-	25.50
BW2306-08BSPXF45	3/8	1/2 - 14	-	-	-	-	-
BW2308-08BSPXF45	1/2	1/2 - 14	101.50	71.00	27.00	-	32.25
BW2310-10BSPXF45	5/8	5/8 - 14	131.50	83.00	30.00	-	40.00
BW2312-12BSPXF45	3/4	3/4 - 14	134.21	92.00	32.00	-	42.00
BW2316-16BSPXF45	1	1 - 11	151.50	100.00	42.00	-	48.00

### Construction characteristics and dimensions may be changed at anytime without prior notice

The data contained herein is for information purposes only and does not enlarge, amend or imply any warranty other than provided by the manufacturer with the product.

Any use of the product not in conformance with the manufacturer's instruction may be dangerous

Only items in this catalog are carried in stock. Some items are subject to minimum quantities or sold in multiples of standard quantities. Please refer to the price list or contact our commercial department. Prices subject to change without notice.

# Balfit<sup>®</sup> BW23 BSP Female - 90° Multicrimp Series One Piece - Non Skive - Hydraulic Hose Fitting



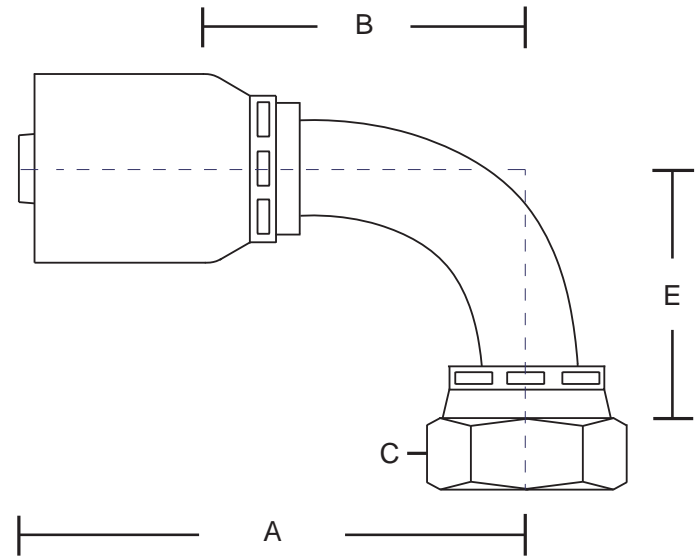
No Skive: 100R1AT/1SN, 100R2AT/2SN, 100R12, 100R16/2SC, 100R17/1SC, DIN4SP, DIN4SH, 2 Max Jack

## BSP FEMALE - 90° SWIVEL - 60° CONE

- One Piece - Carbon Steel
- Trivalent Zinc Plated - RoHS compliant
- ISO WD 12151-6.2 & WD 8434-6.2, BS 5200

## Balflex Hose Compatibility:

- Forza Uno (R1AT/1SN), Forza Due (R2AT/2SN),
- Balpac Premium (R16/2SC), Balpac 3000 (R17/1SC),
- Artic 1 & 2, Tropic 1&2,
- Balmaster 100R12 & 4SP, Powerspir (4SH).
- BestFlex - Balmaster 100R12 & 4SP, Powerspir (4SH).
- Armorguard R1/1SN, R2AT/2SN, R16/2SC, R17/1SC
- 2 MAX Jack



Balflex-USA		BSP Female 90° Swivel - BW23 Multicrimp Series					
PART NUMBER	Hose I.D.	Thread	A O.A.L	B Cut-Off	C Hex	D Hex	E Drop
BW2304-04BSPXF90	1/4	1/4 - 19	66.50	41.50	19.00	-	30.65
BW2304-06BSPXF90	1/4	3/8 - 19	-	-	-	-	-
BW2306-06BSPXF90	3/8	3/8 - 19	70.00	38.75	22.00	-	33.35
BW2306-08BSPXF90	3/8	1/2 - 14	-	-	-	-	-
BW2308-08BSPXF90	1/2	1/2 - 14	75.75	45.35	27.00	-	44.00
BW2310-10BSPXF90	5/8	5/8 - 14	110.00	60.00	30.00	-	56.25
BW2312-12BSPXF90	3/4	3/4 - 14	105.50	65.35	32.00	-	64.00
BW2316-16BSPXF90	1	1 - 11	133.80	83.30	41.00	-	75.00

### Construction characteristics and dimensions may be changed at anytime without prior notice

The data contained herein is for information purposes only and does not enlarge, amend or imply any warranty other than provided by the manufacturer with the product.

Any use of the product not in conformance with the manufacturer's instruction may be dangerous

Only items in this catalog are carried in stock. Some items are subject to minimum quantities or sold in multiples of standard quantities. Please refer to the price list or contact our commercial department. Prices subject to change without notice.



# Balfit<sup>®</sup> BW23 DIN Light Male - Multicrimp Series One Piece - Non Skive - Hydraulic Hose Fitting

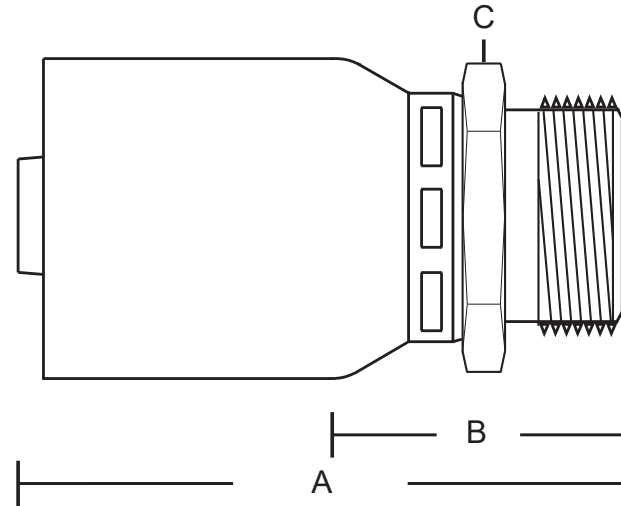
No Skive: 100R1AT/1SN, 100R2AT/2SN, 100R12, 100R16/2SC, 100R17/1SC, DIN4SP, DIN4SH, 2 Max Jack

### DIN LIGHT MALE - 24° SEAT

- One Piece - Carbon Steel
- Trivalent Zinc Plated - RoHS compliant
- ISO 12151-2 & ISO 8434-1, DIN 3861 Series L

### Balflex Hose Compatibility:

- Forza Uno (R1AT/1SN), Forza Due (R2AT/2SN),
- Balpac Premium (R16/2SC), Balpac 3000 (R17/1SC),
- Artic 1 & 2, Tropic 1&2,
- Balmaster 100R12 & 4SP, Powerspir (4SH).
- BestFlex - Balmaster 100R12 & 4SP, Powerspir (4SH).
- Armorguard R1/1SN, R2AT/2SN, R16/2SC, R17/1SC
- 2 MAX Jack



Balflex-USA		DIN Light Male - BW23 Multicrimp Series					
PART NUMBER	Hose I.D.	Thread	A O.A.L	B Cut-Off	C Hex	D Hex	E
BW2304-14DLM	1/4	M14X1.5	-	-	-	-	-
BW2304-16DLM	1/4	M16X1.5	55.00	28.50	17.00	-	-
BW2306-16DLM	3/8	M16X1.5	-	-	-	-	-
BW2306-18DLM	3/8	M18X1.5	57.62	25.30	19.00	-	-
BW2306-22DLM	3/8	M22X1.5	-	-	-	-	-
BW2308-18DLM	1/2	M18X1.5	-	-	-	-	-
BW2308-22DLM	1/2	M22X1.5	60.80	29.60	24.00	-	-
BW2310-26DLM	5/8	M26X1.5	80.50	32.00	27.00	-	-
BW2312-30DLM	3/4	M30X2.0	76.50	34.45	32.00	-	-
BW2316-36DLM	1	M36X2.0	-	-	-	-	-

### Construction characteristics and dimensions may be changed at anytime without prior notice

The data contained herein is for information purposes only and does not enlarge, amend or imply any warranty other than provided by the manufacturer with the product.

Any use of the product not in conformance with the manufacturer's instruction may be dangerous

Only items in this catalog are carried in stock. Some items are subject to minimum quantities or sold in multiples of standard quantities. Please refer to the price list or contact our commercial department. Prices subject to change without notice.

# Balfit® BW23 DIN Light (F) Swivel - Multicrimp Series One Piece - Non Skive - Hydraulic Hose Fitting



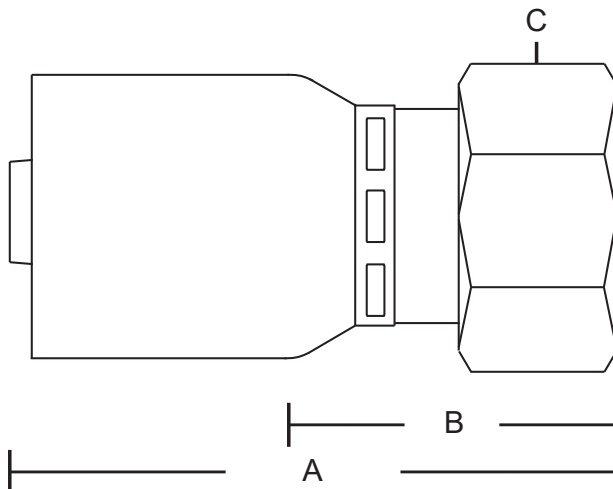
No Skive: 100R1AT/1SN, 100R2AT/2SN, 100R12, 100R16/2SC, 100R17/1SC, DIN4SP, DIN4SH, 2 Max Jack

## DIN LIGHT FEMALE SWIVEL - 24° SEAT

- One Piece - Carbon Steel
- Trivalent Zinc Plated - RoHS compliant
- ISO 12151-2 & ISO 8434-1, DIN 3865 series L

## Balflex Hose Compatibility:

- Forza Uno (R1AT/1SN), Forza Due (R2AT/2SN),
- Balpac Premium (R16/2SC), Balpac 3000 (R17/1SC),
- Artic 1 & 2, Tropic 1&2,
- Balmaster 100R12 & 4SP, Powerspir (4SH).
- BestFlex - Balmaster 100R12 & 4SP, Powerspir (4SH).
- Armorguard R1/1SN, R2AT/2SN, R16/2SC, R17/1SC
- 2 MAX Jack



Balflex-USA		DIN Light Female Swivel - BW23 Multicrimp Series					
PART NUMBER	Hose I.D.	Thread	A O.A.L	B Cut-Off	C Hex	D Hex	E
BW2304-14DLF	1/4	M14X1.5	57.00	30.50	17.00	-	-
BW2304-16DLF	1/4	M16X1.5	-	-	-	-	-
BW2306-16DLF	3/8	M16X1.5	62.00	30.00	22.00	-	-
BW2306-18DLF	3/8	M18X1.5	59.00	26.00	22.00	-	-
BW2306-22DLF	3/8	M22X1.5	62.00	29.25	27.00	-	-
BW2308-22DLF	1/2	M22X1.5	62.00	30.75	27.00	-	-
BW2308-26DLF	1/2	M26X1.5	-	-	-	-	-
BW2310-26DLF	5/8	M26X1.5	82.50	32.25	32.00	-	-
BW2312-26DLF	3/4	M26X1.5	-	-	-	-	-
BW2312-30DLF	3/4	M30X2.0	80.50	38.25	36.00	-	-
BW2316-36DLF	1	M36X2.0	87.00	37.00	41.00	-	-
BW2320-45DLF	1 1/4	M45X2.0	-	-	-	-	-
BW2324-52DLF	1 1/2	M52X2.0	-	-	-	-	-

### Construction characteristics and dimensions may be changed at anytime without prior notice

The data contained herein is for information purposes only and does not enlarge, amend or imply any warranty other than provided by the manufacturer with the product.

Any use of the product not in conformance with the manufacturer's instruction may be dangerous

Only items in this catalog are carried in stock. Some items are subject to minimum quantities or sold in multiples of standard quantities. Please refer to the price list or contact our commercial department. Prices subject to change without notice.





# Balflex® BW23 DIN Light - 45° Multicrimp Series One Piece - Non Skive - Hydraulic Hose Fitting

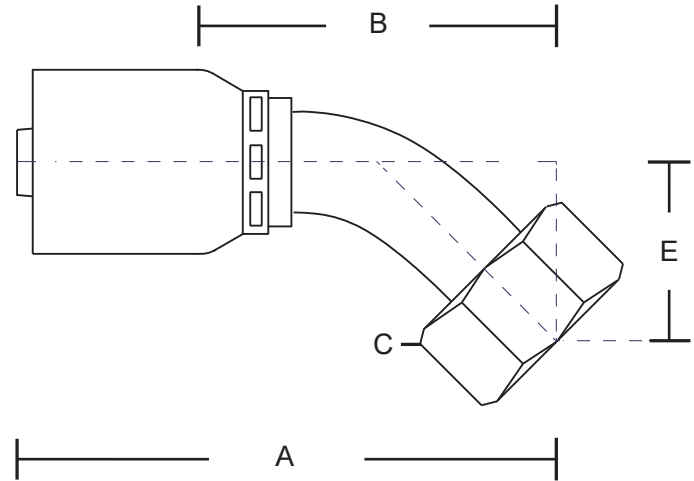
No Skive: 100R1AT/1SN, 100R2AT/2SN, 100R12, 100R16/2SC, 100R17/1SC, DIN4SP, DIN4SH, 2 Max Jack

## DIN LIGHT - 45° SWIVEL - 24° SEAT

- One Piece - Carbon Steel
- Trivalent Zinc Plated - RoHS compliant
- ISO 12151-2 & ISO 8434-1, DIN 3865 series L

### Balflex Hose Compatibility:

- Forza Uno (R1AT/1SN), Forza Due (R2AT/2SN),
- Balpac Premium (R16/2SC), Balpac 3000 (R17/1SC),
- Artic 1 & 2, Tropic 1&2,
- Balmaster 100R12 & 4SP, Powerspir (4SH).
- BestFlex - Balmaster 100R12 & 4SP, Powerspir (4SH).
- Armorguard R1/1SN, R2AT/2SN, R16/2SC, R17/1SC
- 2 MAX Jack



Balflex-USA		DIN Light Female 45° Swivel - BW23 Multicrimp Series					
PART NUMBER	Hose I.D.	Thread	A O.A.L	B Cut-Off	C Hex	D Hex	E Drop
BW2304-14DLF45	1/4	M14X1.5	73.50	45.50	17.00	-	18.00
BW2304-16DLF45	1/4	M16X1.5	71.50	44.00	19.00	-	17.50
BW2306-16DLF45	3/8	M16X1.5	81.00	47.50	22.00	-	20.00
BW2306-18DLF45	3/8	M18X1.5	80.25	46.75	22.00	-	18.75
BW2306-22DLF45	3/8	M22X1.5	81.00	47.50	27.00	-	21.00
BW2308-22DLF45	1/2	M22X1.5	90.00	58.75	27.00	-	24.25
BW2310-26DLF45	5/8	M26X1.5	119.50	69.25	32.00	-	30.50
BW2312-26DLF45	3/4	M26X1.5	-	-	-	-	-
BW2312-30DLF45	3/4	M30X2.0	129.00	86.00	36.00	-	32.00
BW2316-36DLF45	1	M36X2.0	143.75	93.00	41.00	-	40.00
BW2320-45DLF45	1 1/4	M45X2.0	-	-	-	-	-

### Construction characteristics and dimensions may be changed at anytime without prior notice

The data contained herein is for information purposes only and does not enlarge, amend or imply any warranty other than provided by the manufacturer with the product.

Any use of the product not in conformance with the manufacturer's instruction may be dangerous

Only items in this catalog are carried in stock. Some items are subject to minimum quantities or sold in multiples of standard quantities. Please refer to the price list or contact our commercial department. Prices subject to change without notice.

# Balfit<sup>®</sup> BW23 DIN Light - 90° Swivel - Multicrimp Series One Piece - Non Skive - Hydraulic Hose Fitting



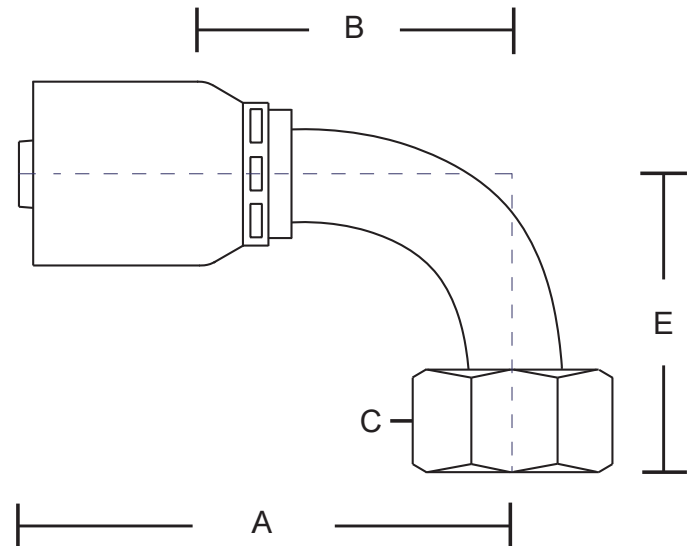
No Skive: 100R1AT/1SN, 100R2AT/2SN, 100R12, 100R16/2SC, 100R17/1SC, DIN4SP, DIN4SH, 2 Max Jack

## DIN LIGHT 90° SWIVEL - 24° SEAT

- One Piece - Carbon Steel
- Trivalent Zinc Plated - RoHS compliant
- ISO 12151-2 & ISO 8434-1, DIN 3865 series L

## Balflex Hose Compatibility:

- Forza Uno (R1AT/1SN), Forza Due (R2AT/2SN),
- Balpac Premium (R16/2SC), Balpac 3000 (R17/1SC),
- Artic 1 & 2, Tropic 1&2,
- Balmaster 100R12 & 4SP, Powerspir (4SH).
- BestFlex - Balmaster 100R12 & 4SP, Powerspir (4SH).
- Armorguard R1/1SN, R2AT/2SN, R16/2SC, R17/1SC
- 2 MAX Jack



Balflex-USA		DIN Light Female 90° Swivel - BW23 Multicrimp Series					
PART NUMBER	Hose I.D.	Thread	A O.A.L	B Cut-Off	C Hex	D Hex	E Drop
BW2304-14DLF90	1/4	M14X1.5	68.00	41.25	17.00	-	36.50
BW2304-16DLF90	1/4	M16X1.5	-	-	-	-	-
BW2306-16DLF90	3/8	M16X1.5	70.00	36.25	22.00	-	52.00
BW2306-18DLF90	3/8	M18X1.5	74.50	40.75	22.00	-	38.00
BW2306-22DLF90	3/8	M22X1.5	72.00	38.50	27.00	-	40.50
BW2308-22DLF90	1/2	M22X1.5	76.25	44.50	27.00	-	44.50
BW2308-26DLF90	1/2	M26X1.5	-	-	-	-	-
BW2310-26DLF90	5/8	M26X1.5	110.50	60.75	32.00	-	60.00
BW2312-26DLF90	3/4	M26X1.5	-	-	-	-	-
BW2312-30DLF90	3/4	M30X2.0	117.50	75.00	36.00	-	66.00
BW2316-36DLF90	1	M36X2.0	126.50	75.25	41.00	-	79.50
BW2320-45DLF90	1 1/4	M45X2.0	-	-	-	-	-

### Construction characteristics and dimensions may be changed at anytime without prior notice

The data contained herein is for information purposes only and does not enlarge, amend or imply any warranty other than provided by the manufacturer with the product.

Any use of the product not in conformance with the manufacturer's instruction may be dangerous

Only items in this catalog are carried in stock. Some items are subject to minimum quantities or sold in multiples of standard quantities. Please refer to the price list or contact our commercial department. Prices subject to change without notice.



# Balfit<sup>®</sup> BW23 DIN HEAVY MALE Multicrimp Series One Piece - Non Skive - Hydraulic Hose Fitting

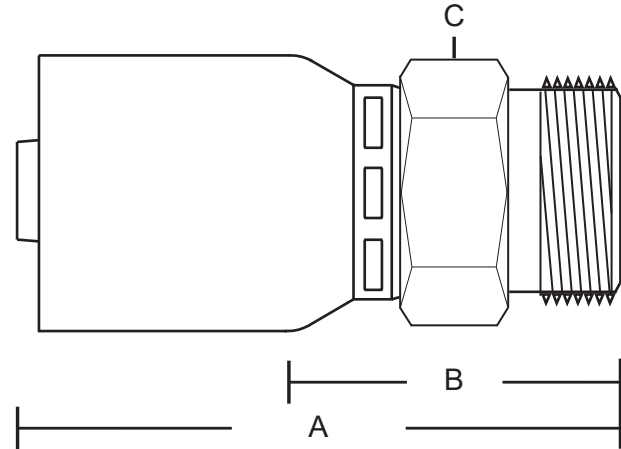
No Skive: 100R1AT/1SN, 100R2AT/2SN, 100R12, 100R16/2SC, 100R17/1SC, DIN4SP, DIN4SH, 2 Max Jack

### DIN HEAVY MALE - 24° SEAT

- One Piece - Carbon Steel
- Trivalent Zinc Plated - RoHS compliant
- ISO 12151-2 & ISO 8434-1, DIN 3865 Series S

### Balflex Hose Compatibility:

- Forza Uno (R1AT/1SN), Forza Due (R2AT/2SN),
- Balpac Premium (R16/2SC), Balpac 3000 (R17/1SC),
- Artic 1 & 2, Tropic 1&2,
- Balmaster 100R12 & 4SP, Powerspir (4SH).
- BestFlex - Balmaster 100R12 & 4SP, Powerspir (4SH).
- Armorguard R1/1SN, R2AT/2SN, R16/2SC, R17/1SC
- 2 MAX Jack



Balflex-USA		DIN Heavy Male - BW23 Multicrimp Series					
PART NUMBER	Hose I.D.	Thread	A O.A.L	B Cut-Off	C Hex	D Hex	E Drop
BW2304-18DHM	1/4	M18X1.5	-	-	-	-	-
BW2306-08DHM	3/8	M16X1.5	-	-	-	-	-
BW2306-20DHM	3/8	M20X1.5	-	-	-	-	-
BW2306-22DHM	3/8	M22X1.5	-	-	-	-	-
BW2308-24DHM	1/2	M24X1.5	66.00	34.15	27.00	-	-
BW2310-30DHM	5/8	M30X2.0	89.00	39.75	32.00	-	-
BW2312-36DHM	3/4	M36X2.0	88.00	44.61	41.00	-	-
BW2316-42DHM	1	M42X2.0	-	-	-	-	-
BW2320-52DHM	1.25	M52X2.0	-	-	-	-	-

### Construction characteristics and dimensions may be changed at anytime without prior notice

The data contained herein is for information purposes only and does not enlarge, amend or imply any warranty other than provided by the manufacturer with the product.

Any use of the product not in conformance with the manufacturer's instruction may be dangerous

Only items in this catalog are carried in stock. Some items are subject to minimum quantities or sold in multiples of standard quantities. Please refer to the price list or contact our commercial department. Prices subject to change without notice.

# Balfit<sup>®</sup> BW23 DIN HEAVY(F) SWIVEL Multicrimp Series One Piece - Non Skive - Hydraulic Hose Fitting



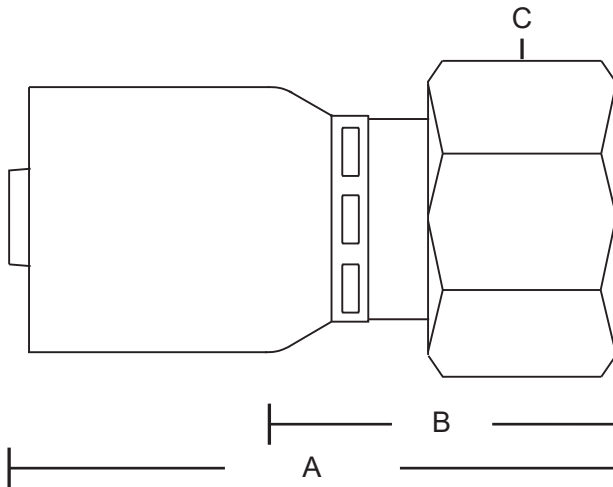
No Skive: 100R1AT/1SN, 100R2AT/2SN, 100R12, 100R16/2SC, 100R17/1SC, DIN4SP, DIN4SH, 2 Max Jack

### DIN HEAVY FEMALE SWIVEL - 24° SEAT with O-Ring

- One Piece - Carbon Steel
- Trivalent Zinc Plated - RoHS compliant
- ISO 12151-2 & ISO 8434-1, DIN 3865 series S

### Balflex Hose Compatibility:

- Forza Uno (R1AT/1SN), Forza Due (R2AT/2SN),
- Balpac Premium (R16/2SC), Balpac 3000 (R17/1SC),
- Artic 1 & 2, Tropic 1&2,
- Balmaster 100R12 & 4SP, Powerspir (4SH).
- BestFlex - Balmaster 100R12 & 4SP, Powerspir (4SH).
- Armorguard R1/1SN, R2AT/2SN, R16/2SC, R17/1SC
- 2 MAX Jack



Balflex-USA		DIN Heavy Female Swivel - BW23 Multicrimp Series					
PART NUMBER	Hose I.D.	Thread	A O.A.L	B Cut-Off	C Hex	D Hex	E Drop
BW2304-16DHF	1/4	M16X1.5	-	-	-	-	-
BW2304-18DHF	1/4	M18X1.5	-	-	-	-	-
BW2306-20DHF	3/8	M20X1.5	-	-	-	-	-
BW2306-22DHF	3/8	M22X1.5	61.75	29.75	27.00	-	-
BW2308-22DHF	1/2	M22X1.5	-	-	-	-	-
BW2308-24DHF	1/2	M24X1.5	62.00	29.75	30.00	-	-
BW2310-30DHF	5/8	M30X2.0	87.00	37.25	36.00	-	-
BW2312-30DHF	3/4	M30X2.0	-	-	-	-	-
BW2312-36DHF	3/4	M36X2.0	82.50	39.75	41.00	-	-
BW2316-42DHF	1	M42X2.0	-	-	-	-	-
BW2320-42DHF	1 1/4	M42X2.0	-	-	-	-	-
BW2320-52DHF	1 1/4	M52X2.0	105.00	46.75	60.00	-	-
BW2324-52DHF	1 1/2	M52X2.0	-	-	-	-	-

### Construction characteristics and dimensions may be changed at anytime without prior notice

The data contained herein is for information purposes only and does not enlarge, amend or imply any warranty other than provided by the manufacturer with the product.

Any use of the product not in conformance with the manufacturer's instruction may be dangerous

Only items in this catalog are carried in stock. Some items are subject to minimum quantities or sold in multiples of standard quantities. Please refer to the price list or contact our commercial department. Prices subject to change without notice.



# Balfit® BW23 DIN HEAVY - 45° Swivel Multicrimp Series One Piece - Non Skive - Hydraulic Hose Fitting

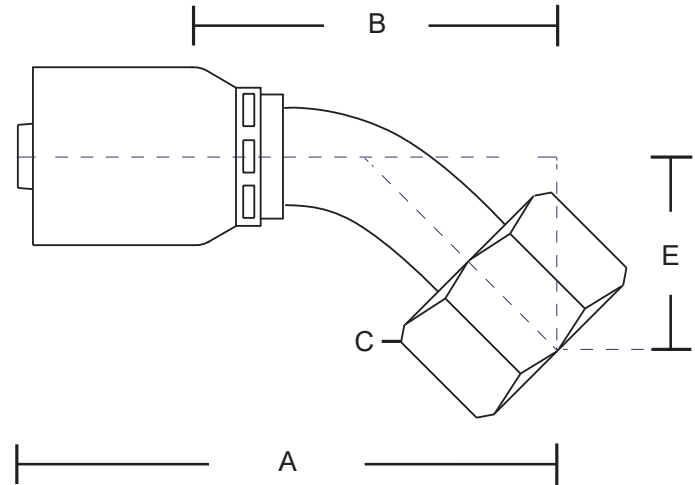
No Skive: 100R1AT/1SN, 100R2AT/2SN, 100R12, 100R16/2SC, 100R17/1SC, DIN4SP, DIN4SH, 2 Max Jack

### DIN HEAVY - 45° SWIVEL - 24° SEAT with O-Ring

- One Piece - Carbon Steel
- Trivalent Zinc Plated - RoHS compliant
- ISO 12151-2 & ISO 8434-1, DIN 3865 series S

### Balflex Hose Compatibility:

- Forza Uno (R1AT/1SN), Forza Due (R2AT/2SN),
- Balpac Premium (R16/2SC), Balpac 3000 (R17/1SC),
- Artic 1 & 2, Tropic 1&2,
- Balmaster 100R12 & 4SP, Powerspir (4SH).
- BestFlex - Balmaster 100R12 & 4SP, Powerspir (4SH).
- Armorguard R1/1SN, R2AT/2SN, R16/2SC, R17/1SC
- 2 MAX Jack



Balflex-USA		DIN Heavy Female 45° Swivel - BW23 Multicrimp Series					
PART NUMBER	Hose I.D.	Thread	A O.A.L	B Cut-Off	C Hex	D Hex	E Drop
BW2308-24DHF45	1/2	M24X1.5	91.75	60.50	30.00	-	24.00
BW2310-30DHF45	5/8	M30X2.0	123.50	74.00	36.00	-	26.00
BW2312-30DHF45	3/4	M30X2.0	-	-	-	-	-
BW2312-36DHF45	3/4	M36X2.0	127.00	84.00	41.00	-	32.00
BW2316-42DHF45	1	M42X2.0	142.00	90.25	50.00	-	44.00
BW2320-42DHF45	1 1/4	M42X2.0	-	-	-	-	-
BW2320-52DHF45	1 1/4	M52X2.0	165.75	108.50	60.00	-	51.00
BW2324-52DHF45	1 1/2	M52X2.0	-	-	-	-	-

### Construction characteristics and dimensions may be changed at anytime without prior notice

The data contained herein is for information purposes only and does not enlarge, amend or imply any warranty other than provided by the manufacturer with the product.

Any use of the product not in conformance with the manufacturer's instruction may be dangerous

Only items in this catalog are carried in stock. Some items are subject to minimum quantities or sold in multiples of standard quantities. Please refer to the price list or contact our commercial department. Prices subject to change without notice.

# Balfit® BW23 DIN HEAVY - 90° Swivel Multicrimp Series One Piece - Non Skive - Hydraulic Hose Fitting



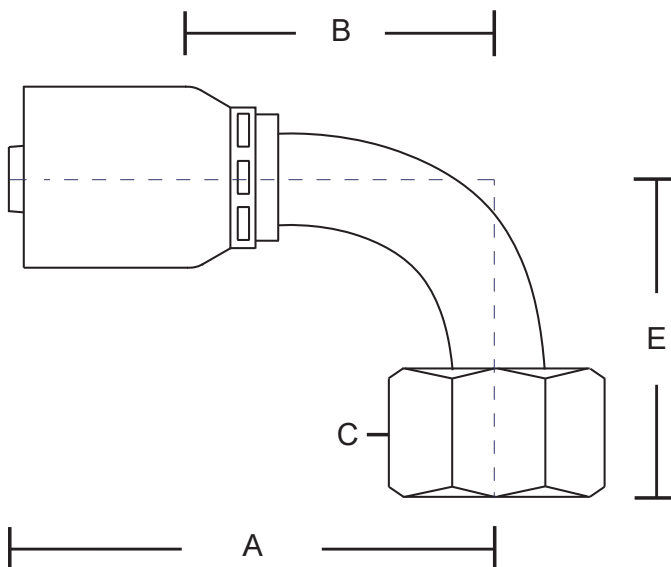
No Skive: 100R1AT/1SN, 100R2AT/2SN, 100R12, 100R16/2SC, 100R17/1SC, DIN4SP, DIN4SH, 2 Max Jack

#### DIN LIGHT 90° SWIVEL - 24° SEAT with O-Ring

- One Piece - Carbon Steel
- Trivalent Zinc Plated - RoHS compliant
- ISO 12151-2 & ISO 8434-1, DIN 3865 series S

#### Balflex Hose Compatibility:

- Forza Uno (R1AT/1SN), Forza Due (R2AT/2SN),
- Balpac Premium (R16/2SC), Balpac 3000 (R17/1SC),
- Artic 1 & 2, Tropic 1&2,
- Balmaster 100R12 & 4SP, Powerspir (4SH).
- BestFlex - Balmaster 100R12 & 4SP, Powerspir (4SH).
- Armorguard R1/1SN, R2AT/2SN, R16/2SC, R17/1SC
- 2 MAX Jack



Balflex-USA		DIN Heavy Female 90° Swivel - BW23 Multicrimp Series					
PART NUMBER	Hose I.D.	Thread	A O.A.L	B Cut-Off	C Hex	D Hex	E Drop
BW2304-16DHF90	1/4	M16X1.5	-	-	-	-	-
BW2304-18DHF90	1/4	M18X1.5	-	-	-	-	-
BW2306-20DHF90	3/8	M20X1.5	-	-	-	-	-
BW2306-22DHF90	3/8	M22X1.5	-	-	-	-	-
BW2308-20DHF90	1/2	M20X1.5	-	-	-	-	-
BW2308-24DHF90	1/2	M24X1.5	79.00	48.25	30.00	-	48.50
BW2310-30DHF90	5/8	M30X2.0	111.00	61.50	36.00	-	52.75
BW2312-30DHF90	3/4	M30X2.0	-	-	-	-	-
BW2312-36DHF90	3/4	M36X2.0	113.00	71.00	41.00	-	69.75
BW2316-42DHF90	1	M42X2.0	122.50	72.25	50.00	-	87.50
BW2320-42DHF90	1 1/4	M42X2.0	-	-	-	-	-
BW2320-52DHF90	1 1/4	M52X2.0	148.00	89.75	60.00	-	98.25
BW2324-52DHF90	1 1/2	M52X2.0	-	-	-	-	-

#### Construction characteristics and dimensions may be changed at anytime without prior notice

The data contained herein is for information purposes only and does not enlarge, amend or imply any warranty other than provided by the manufacturer with the product.

Any use of the product not in conformance with the manufacturer's instruction may be dangerous

Only items in this catalog are carried in stock. Some items are subject to minimum quantities or sold in multiples of standard quantities. Please refer to the price list or contact our commercial department. Prices subject to change without notice.



# Balflex® BW23 JIS SWIVEL Multicrimp Series One Piece - Non Skive - Hydraulic Hose Fitting

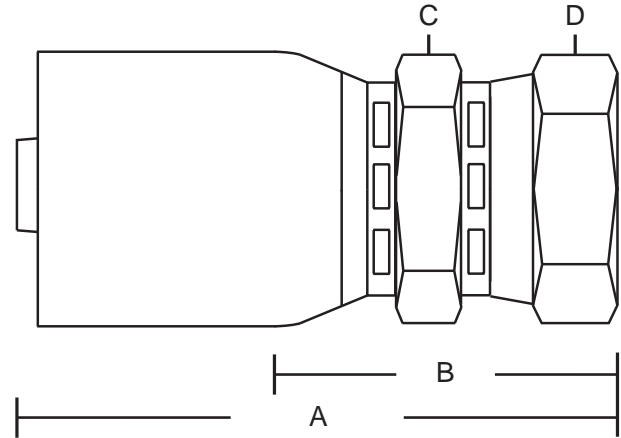
No Skive: 100R1AT/1SN, 100R2AT/2SN, 100R12, 100R16/2SC, 100R17/1SC, DIN4SP, DIN4SH, 2 Max Jack

### JIS - Japanese

- One Piece - Carbon Steel
- Trivalent Zinc Plated - RoHS compliant
- JIS B 8363

### Balflex Hose Compatibility:

- Forza Uno (R1AT/1SN), Forza Due (R2AT/2SN),
- Balpac Premium (R16/2SC), Balpac 3000 (R17/1SC),
- Artic 1 & 2, Tropic 1&2,
- Balmaster 100R12 & 4SP, Powerspir (4SH).
- BestFlex - Balmaster 100R12 & 4SP, Powerspir (4SH).
- Armorguard R1/1SN, R2AT/2SN, R16/2SC, R17/1SC
- 2 MAX Jack



Balflex-USA		Female JIS - BW23 Multicrimp Series					
PART NUMBER	Hose I.D.	Thread	A O.A.L	B Cut-Off	C Hex	D Hex	E Drop
BW2304-04JIS	1/4	1/4 - 19	60.25	33.50	19.00	19.00	-
BW2306-06JIS	3/8	3/8 - 19	64.35	32.00	22.00	22.00	-
BW2306-08JIS	3/8	1/2 - 14	-	-	-	-	-
BW2308-08JIS	1/2	1/2 - 14	71.50	40.00	27.00	27.00	-
BW2310-10JIS	5/8	5/8 - 14	-	-	-	-	-
BW2310-12JIS	5/8	3/4 - 14	-	-	-	-	-
BW2312-12JIS	3/4	3/4 - 14	-	-	-	-	-
BW2316-16JIS	1	1 - 11	-	-	-	-	-
BW2320-20JIS	1-1/4	1-1/4 - 11	-	-	-	-	-

### Construction characteristics and dimensions may be changed at anytime without prior notice

The data contained herein is for information purposes only and does not enlarge, amend or imply any warranty other than provided by the manufacturer with the product.

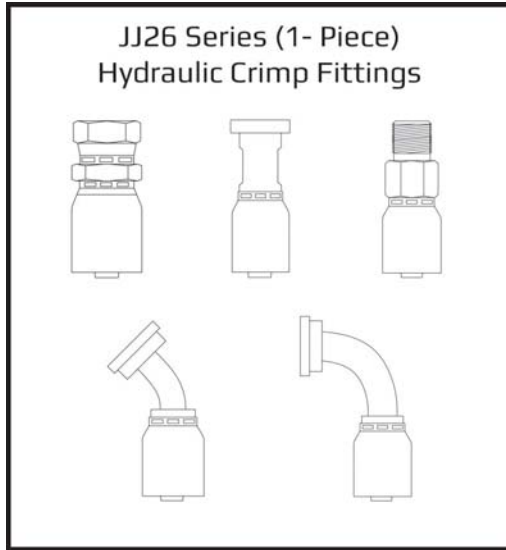
Any use of the product not in conformance with the manufacturer's instruction may be dangerous

Only items in this catalog are carried in stock. Some items are subject to minimum quantities or sold in multiples of standard quantities. Please refer to the price list or contact our commercial department. Prices subject to change without notice.

# Balflex® JJ26 MULTICRIMP SERIES Hydraulic Hose Fittings (1-Piece)



The Best Name You Can Get In Hose



- One-Piece Design
- Must Skive
- Trivalent zinc plated - ROHS compliant

## Balflex® JJ26 Series Hydraulic Hose Fittings

The range of **JJ26**® hydraulic hose connectors are produced according to **Balflex**® specifications and to **ISO, SAE, DIN, JIS, BS, NF** and other standards. It covers a very wide variety of applications typical of hydraulic pressure hose lines.

**Balflex**® optimized the production of these connectors and their compatibility with a wide range of hydraulic hoses, in order to assure the highest performance and the most extensive range of applications.

The **Balflex**® hydraulic connectors are compatible with the following hose types:

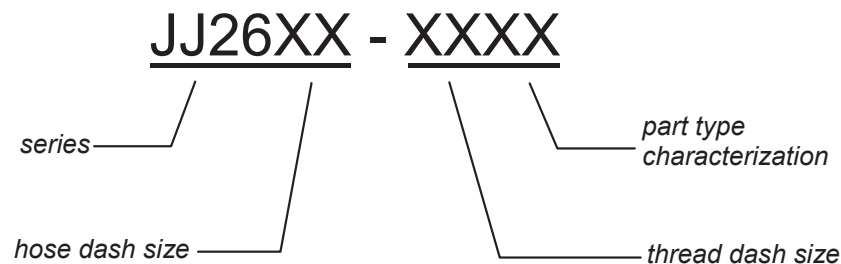
### 4 & 6 Wire Spiral:

**Balflex**® **Balmaster BestFlex** - 100R12 - High Pressure • 4 Steel Wire Spirals Reinforced Hydraulic Hose

**Balflex**® **Balmaster BestFlex** - 100R13, 100R15, & DIN EN 856 4SP - Very High Pressure • 4 or 6 Steel Wire Spiral Reinforced Hydraulic Hose

An overview of these parts is given in the following pages...

The **Balflex**® connectors parts code is composed of two groups of digits:







# Balfit<sup>®</sup> JJ26 MALE PIPE - Multicrimp Series One Piece - Skive - Hydraulic Hose Fitting

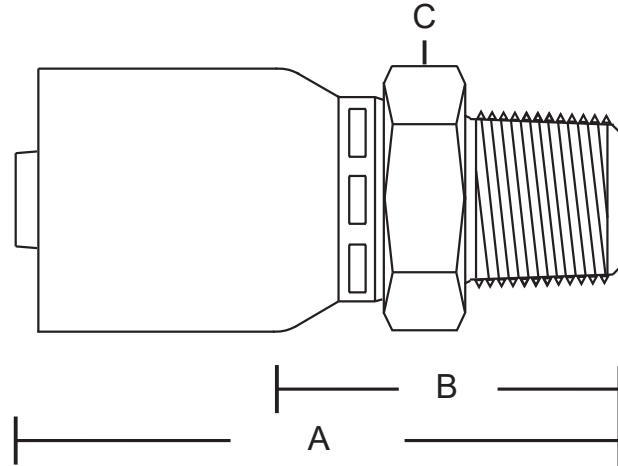
Skive: 4SH, 100R13, 100R15

### MP MALE PIPE

- One Piece - Carbon Steel
- Trivalent Zinc Plated - RoHS compliant
- SAE J514 / SAE J516

### Balflex Hose Compatibility:

- BestFlex - Powerspir (4SH), 100R13 & 100R15



Balflex-USA		Male Pipe - JJ26 Multicrimp Series					
PART NUMBER	Hose I.D.	Thread	A O.A.L	B Cut-Off	C Hex	D Hex	E
JJ2616-16MP	1	1 - 11 1/2	107.25	51.75	36.00	-	-
JJ2620-20MP	1 1/4	1 1/4 - 11 1/2	122.00	68.75	51.00	-	-
JJ2624-24MP	1 1/2	1 1/2 - 11 1/2	125.00	68.75	55.00	-	-
JJ2632-32MP	2	2 - 11 1/2	163.00	74.25	67.00	-	-

### Construction characteristics and dimensions may be changed at anytime without prior notice

The data contained herein is for information purposes only and does not enlarge, amend or imply any warranty other than provided by the manufacturer with the product.

Any use of the product not in conformance with the manufacturer's instruction may be dangerous

Only items in this catalog are carried in stock. Some items are subject to minimum quantities or sold in multiples of standard quantities. Please refer to the price list or contact our commercial department. Prices subject to change without notice.

# Balfit<sup>®</sup> JJ26 MALE PIPE - LONG Multicrimp Series One Piece - Skive - Hydraulic Hose Fitting



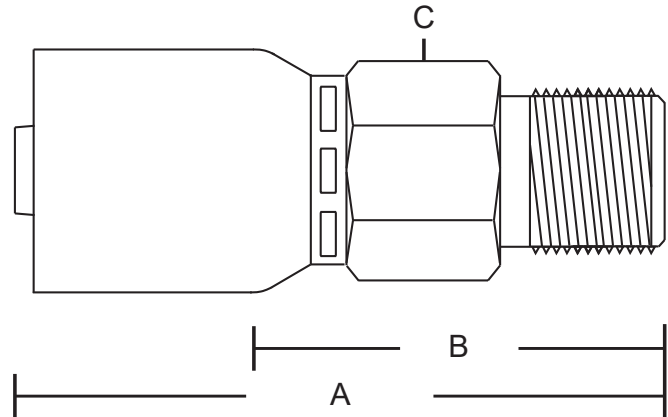
Skive: 4SH, 100R13, 100R15

**MP - MALE PIPE - LONG**

- One Piece - Carbon Steel
- Trivalent Zinc Plated - RoHS compliant

**Balflex Hose Compatibility:**

- BestFlex - Powerspir (4SH), 100R13 & 100R15



Balflex-USA		Male Pipe Long - JJ26 Multicrimp Series					
PART NUMBER	Hose I.D.	Thread	A O.A.L	B Cut-Off	C Hex	D Hex	E Drop
JJ2632-32MPL	2	2 - 11 1/2	180.25	91.50	70.00	-	-

**Construction characteristics and dimensions may be changed at anytime without prior notice**

The data contained herein is for information purposes only and does not enlarge, amend or imply any warranty other than provided by the manufacturer with the product.

Any use of the product not in conformance with the manufacturer's instruction may be dangerous

Only items in this catalog are carried in stock. Some items are subject to minimum quantities or sold in multiples of standard quantities. Please refer to the price list or contact our commercial department. Prices subject to change without notice.



# Balfit<sup>®</sup> JJ26 FJIC SWIVEL Multicrimp Series One Piece - Skive - Hydraulic Hose Fitting

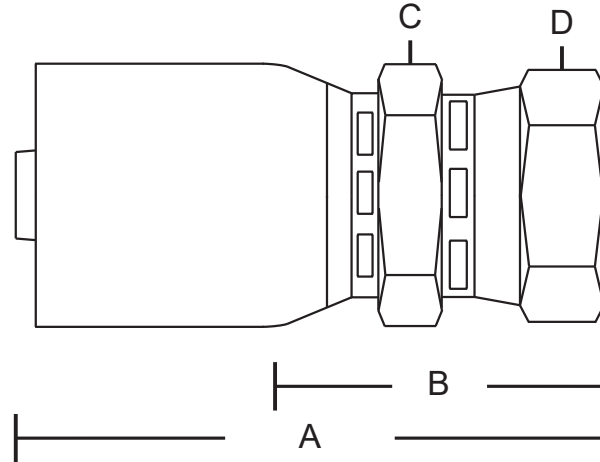
Skive: 4SH, 100R13, 100R15

### FJIC - FEMALE JIC SWIVEL

- One Piece - Carbon Steel
- Trivalent Zinc Plated - RoHS compliant
- SAE J516 / J514 - ISO 12151-5 & ISO 8434-2

### Balflex Hose Compatibility:

- BestFlex - Powerspir (4SH), 100R13 & 100R15



Balflex-USA		FJIC - JJ26 Multicrimp Series					
PART NUMBER	Hose I.D.	Thread	A O.A.L	B Cut-Off	C Hex	D Hex	E Drop
JJ2616-16FJ	1	1 5/16 - 12	109.75	39.00	36.00	38.00	-
JJ2616-20FJ	1	1 5/8 - 12	-	-	-	-	-
JJ2620-20FJ	1 1/4	1 5/8 - 12	118.50	50.00	51.00	50.00	-
JJ2620-24FJ	1 1/4	1 7/8 - 12	-	-	-	-	-
JJ2624-24FJ	1 1/2	1 7/8 - 12	126.00	51.50	55.00	55.00	-
JJ2632-32FJ	2	2 1/2 - 12	164.25	140.25	66.35	74.75	-

### Construction characteristics and dimensions may be changed at anytime without prior notice

The data contained herein is for information purposes only and does not enlarge, amend or imply any warranty other than provided by the manufacturer with the product.

Any use of the product not in conformance with the manufacturer's instruction may be dangerous

Only items in this catalog are carried in stock. Some items are subject to minimum quantities or sold in multiples of standard quantities. Please refer to the price list or contact our commercial department. Prices subject to change without notice.

# Balfit<sup>®</sup> JJ26 CODE 62 FLANGE Multicrimp Series One Piece - Skive - Hydraulic Hose Fitting



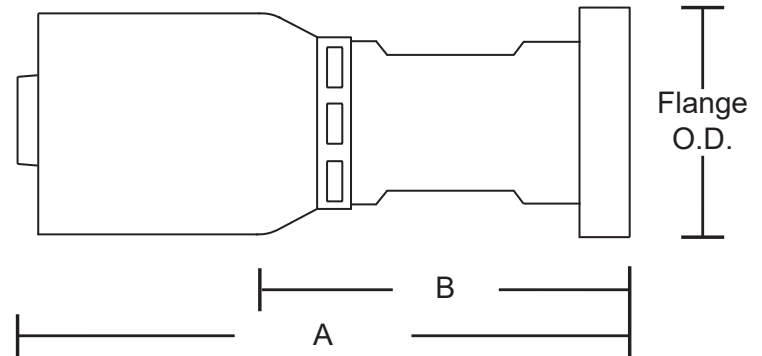
Skive: 4SH, 100R13, 100R15

### CODE 62 FLANGE

- One Piece - Carbon Steel
- Trivalent Zinc Plated - RoHS compliant
- SAE J516 & J518 / ISO 6162 & ISO 12151-3

### Balflex Hose Compatibility:

- BestFlex - Powerspir (4SH), 100R13 & 100R15



Balflex-USA		Code 62 Flange - JJ26 Multicrimp Series					
PART NUMBER	Hose I.D.	Flange O.D.	A O.A.L	B Cut-Off	C Hex	D Hex	E Drop
JJ2616-16PH	1	48.00	118.35	62.75	-	-	-
JJ2616-20PH	1	-	-	-	-	-	-
JJ2616-24PH	1	-	-	-	-	-	-
JJ2620-16PH	1 1/4	-	-	-	-	-	-
JJ2620-20PH	1 1/4	54.00	140.00	85.75	-	-	-
JJ2620-24PH	1 1/4	-	-	-	-	-	-
JJ2624-20PH	1 1/2	-	-	-	-	-	-
JJ2624-24PH	1 1/2	63.50	151.50	94.75	-	-	-
JJ2632-32PH	2	79.75	191.00	103.50	-	-	-

### Construction characteristics and dimensions may be changed at anytime without prior notice

The data contained herein is for information purposes only and does not enlarge, amend or imply any warranty other than provided by the manufacturer with the product.

Any use of the product not in conformance with the manufacturer's instruction may be dangerous

Only items in this catalog are carried in stock. Some items are subject to minimum quantities or sold in multiples of standard quantities. Please refer to the price list or contact our commercial department. Prices subject to change without notice.



# Balfit<sup>®</sup> JJ26 CODE 62 - 45° FLANGE Multicrimp Series One Piece - Skive - Hydraulic Hose Fitting

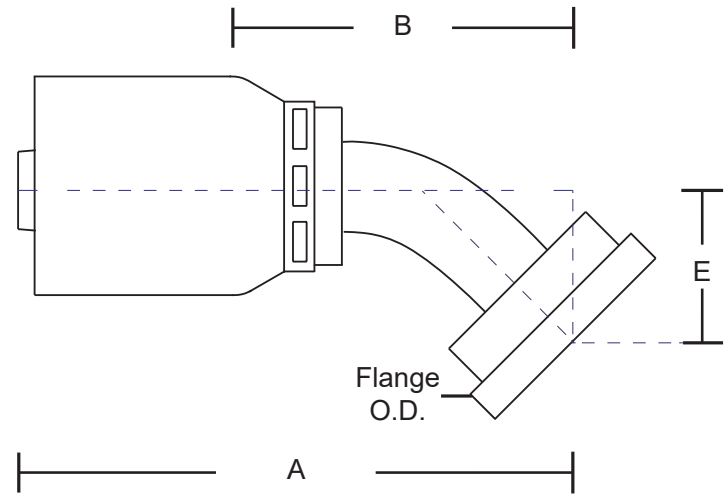
Skive: 4SH, 100R13, 100R15

### CODE 62 - 45° FLANGE

- One Piece - Carbon Steel
- Trivalent Zinc Plated - RoHS compliant
- SAE J516 & J518 / ISO 6162 & ISO 12151-3

### Balflex Hose Compatibility:

- BestFlex - Powerspir (4SH), 100R13 & 100R15



Balflex-USA		Code 62 Flange 45° - JJ26 Multicrimp Series					
PART NUMBER	Hose I.D.	Flange O.D.	A O.A.L	B Cut-Off	C Hex	D Hex	E Drop
JJ2616-16PH45	1	47.75	150.75	94.75	-	-	31.00
JJ2616-20PH45	1	-	-	-	-	-	-
JJ2616-24PH45	1	-	-	-	-	-	-
JJ2620-16PH45	1 1/4	-	-	-	-	-	-
JJ2620-20PH45	1 1/4	54.00	174.25	121.25	-	-	50.50
JJ2620-24PH45	1 1/4	-	-	-	-	-	-
JJ2624-24PH45	1 1/2	63.50	201.50	144.50	-	-	55.25
JJ2632-32PH45	2	80.00	260.75	171.50	-	-	70.00

### Construction characteristics and dimensions may be changed at anytime without prior notice

The data contained herein is for information purposes only and does not enlarge, amend or imply any warranty other than provided by the manufacturer with the product.

Any use of the product not in conformance with the manufacturer's instruction may be dangerous

Only items in this catalog are carried in stock. Some items are subject to minimum quantities or sold in multiples of standard quantities. Please refer to the price list or contact our commercial department. Prices subject to change without notice.

# Balfit® JJ26 CODE 62 - 60° FLANGE Multicrimp Series One Piece - Skive - Hydraulic Hose Fitting



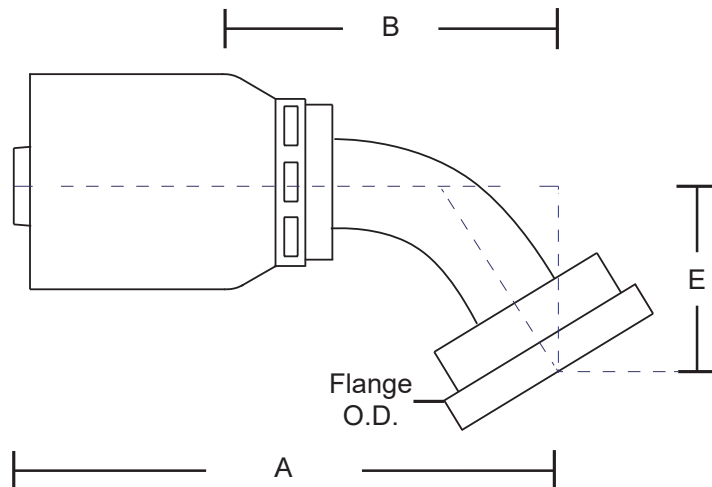
Skive: 4SH, 100R13, 100R15

## CODE 62 - 45° FLANGE

- One Piece - Carbon Steel
- Trivalent Zinc Plated - RoHS compliant
- SAE J516 & J518 / ISO 6162 & ISO 12151-3

## Balflex Hose Compatibility:

- BestFlex - Powerspir (4SH), 100R13 & 100R15



Balflex-USA		Code 62 Flange 60° - JJ26 Multicrimp Series					
PART NUMBER	Hose I.D.	Thread	A O.A.L	B Cut-Off	C Hex	D Hex	E
JJ2616-16PH60	1	47.75	147.00	91.50	-	-	46.25
JJ2616-20PH60	1	-	-	-	-	-	-
JJ2620-20PH60	1 1/4	54.00	176.50	121.25	-	-	58.00
JJ2620-24PH60	1 1/4	-	-	-	-	-	-

### Construction characteristics and dimensions may be changed at anytime without prior notice

The data contained herein is for information purposes only and does not enlarge, amend or imply any warranty other than provided by the manufacturer with the product.

Any use of the product not in conformance with the manufacturer's instruction may be dangerous

Only items in this catalog are carried in stock. Some items are subject to minimum quantities or sold in multiples of standard quantities. Please refer to the price list or contact our commercial department. Prices subject to change without notice.



# Balfit<sup>®</sup> JJ26 CODE 62 - 90° Multicrimp Series One Piece - Skive - Hydraulic Hose Fitting

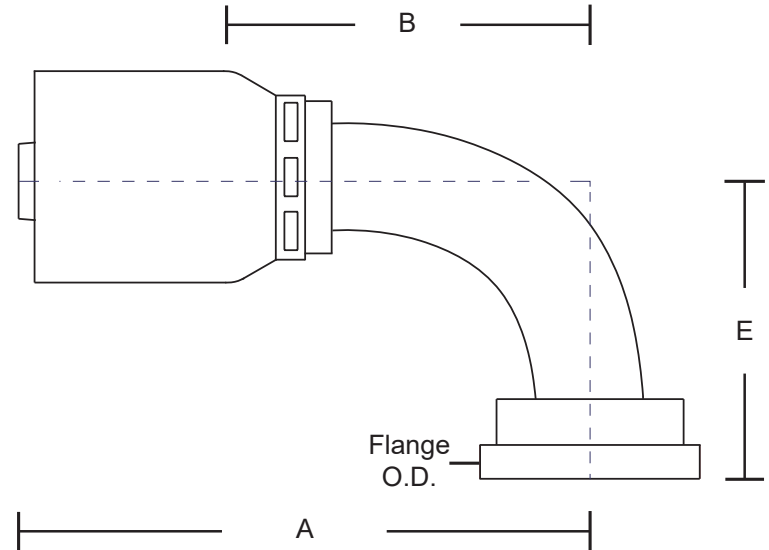
Skive: 4SH, 100R13, 100R15

### CODE 62 - 90° FLANGE

- One Piece - Carbon Steel
- Trivalent Zinc Plated - RoHS compliant
- SAE J516 & J518 / ISO 6162 & ISO 12151-3

### Balflex Hose Compatibility:

- BestFlex - Powerspir (4SH), 100R13 & 100R15



Balflex-USA		Code 62 Flange 90° - JJ26 Multicrimp Series					
PART NUMBER	Hose I.D.	Flange O.D.	A O.A.L	B Cut-Off	C Hex	D Hex	E Drop
JJ2616-16PH90	1	47.75	142.00	85.75	-	-	71.00
JJ2616-20PH90	1	-	-	-	-	-	-
JJ2616-24PH90	1	-	-	-	-	-	-
JJ2620-16PH90	1 1/4	-	-	-	-	-	-
JJ2620-20PH90	1 1/4	54.00	160.00	103.75	-	-	96.00
JJ2620-24PH90	1 1/4	-	-	-	-	-	-
JJ2624-24PH90	1 1/2	63.50	194.00	136.75	-	-	112.50
JJ2624-32PH90	1 1/2	-	-	-	-	-	-
JJ2632-32PH90	2	79.50	225.00	159.00	-	-	125.35

### Construction characteristics and dimensions may be changed at anytime without prior notice

The data contained herein is for information purposes only and does not enlarge, amend or imply any warranty other than provided by the manufacturer with the product.

Any use of the product not in conformance with the manufacturer's instruction may be dangerous

Only items in this catalog are carried in stock. Some items are subject to minimum quantities or sold in multiples of standard quantities. Please refer to the price list or contact our commercial department. Prices subject to change without notice.

# Balfit<sup>®</sup> JJ26 CODE 62 - 90° (120mm Drop) Multicrimp Series One Piece - Skive - Hydraulic Hose Fitting



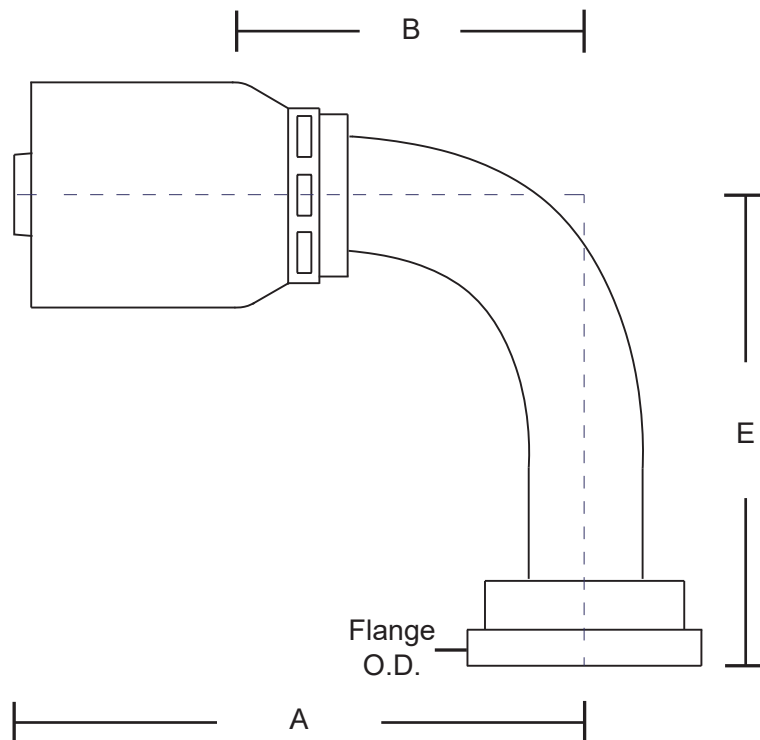
Skive: 4SH, 100R13, 100R15

### CODE 62 - 90° FLANGE

- One Piece - Carbon Steel
- Trivalent Zinc Plated - RoHS compliant
- SAE J516 & J518 / ISO 6162 & ISO 12151-3

### Balflex Hose Compatibility:

- BestFlex - Powerspir (4SH), 100R13 & 100R15



Balflex-USA		Code 62 Long Flange 90° - JJ26 Multicrimp Series					
PART NUMBER	Hose I.D.	Flange O.D.	A O.A.L	B Cut-Off	C Hex	D Hex	E Drop
JJ2616-16PH90L	1	47.75	140.00	84.25	-	-	123.00
JJ2620-20PH90L	1.25	54.00	170.25	114.50	-	-	123.00

### Construction characteristics and dimensions may be changed at anytime without prior notice

The data contained herein is for information purposes only and does not enlarge, amend or imply any warranty other than provided by the manufacturer with the product.

Any use of the product not in conformance with the manufacturer's instruction may be dangerous

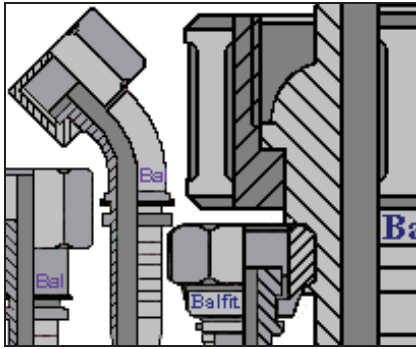
Only items in this catalog are carried in stock. Some items are subject to minimum quantities or sold in multiples of standard quantities. Please refer to the price list or contact our commercial department. Prices subject to change without notice.





# Balfit<sup>®</sup> 2-Piece Hydraulic Hose Fittings

BALFLEX - THE BEST NAME YOU CAN GET IN HOSE



## Balfit<sup>®</sup> 2-Piece Hydraulic Hose Fittings

The range of **Balfit<sup>®</sup>** hydraulic hose connectors is produced according to **Balflex<sup>®</sup>** specifications and to **ISO, SAE, DIN, JIS, BS, NF** and other standards. It covers a very wide variety of applications typical of hydraulic pressure hose lines.

**Balflex<sup>®</sup>** optimized the production of these connectors and their compatibility with a wide range of hydraulic hoses, in order to assure the highest performance and the most extensive range of applications. The **Balfit<sup>®</sup>** hydraulic connectors program in this catalogue includes the following standard crimped two-piece type (connector + ferrule) parts:

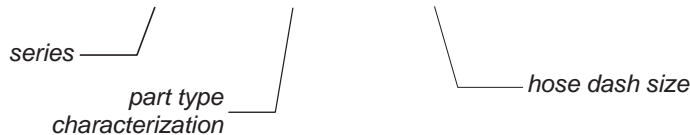
- Series **20** - **Balfit<sup>®</sup>** ferrules for all types of crimped **Balfit<sup>®</sup>** connectors
- Series **23** - **Balfit<sup>®</sup>** crimped connectors for standard 1 and 2 wire braided hydraulic hoses
- Series **24** - **Balfit<sup>®</sup>** crimped connectors for **Balmaster** multi-spiral hydraulic hoses
- Series **26** - **Balfit<sup>®</sup>** crimped interlocking connectors for **Powerspir** multi-spiral hydraulic hoses

An overview of these parts is given in the following pages.

The **Balfit<sup>®</sup>** connectors parts code is composed of three groups of digits:

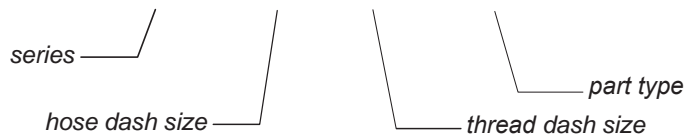
### *Ferrules*

XX - XXX - XX



### *Fittings*



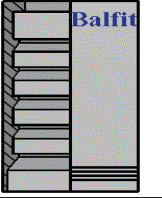
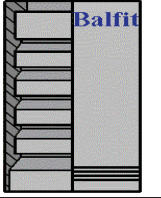
XX - XX XX - XX



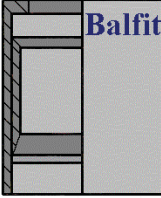
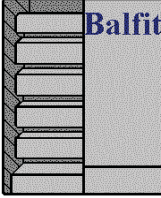
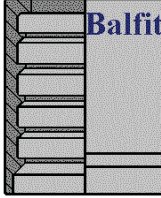



## Series 20 Balfit® Ferrules

### SKIVING FERRULES

		double-skived	
			
<b>20.400.</b>	<b>20.403.</b>	<b>20.405.</b>	<b>20.406</b>
<b>4SP</b>	<b>R12</b>	<b>4SH *</b>	<b>4SH **</b>
<b>R12</b>	<b>4SH</b>		<b>R13</b>
			<b>R15</b>

### NON SKIVING FERRULES

			
<b>20.107.</b>	<b>20.301.</b>	<b>20.302.</b>	<b>20.305.</b>
<b>R6 • R7 • R8</b>	<b>R1AT • 1SN</b>	<b>R1AT • 1SN</b>	<b>R17</b>
<b>R14</b>		<b>R2AT • 2SN</b>	<b>1SC</b>
<b>1TE • 2TE</b>		<b>R16</b>	
		<b>DIN 1SN • 2SN • 2SC</b>	

\* 4SH (1.1/4", 1.1/2" and 2")

\*\* 4SH (3/4" and 1")

## Series 23 Balfit® Hose Fittings for High Pressure Hydraulic Wire Braid Hoses

Complete line of swaged Hydraulic Hose Fittings for SAE 100R6, DIN EN 1TE, DIN EN 2TE, SAE 100R3, DIN EN 3TE, SAE 100R1AT / DIN EN 1SN, SAE 100R2AT / DIN EN 2SN, DIN EN 1SC, DIN EN 2SC, SAE 100R17, SAE 100R1A / DIN EN 1ST, SAE 100R2A / DIN EN 2ST, SAE 100R14, Balflex 2-MAX and Balflex 3-MAX Hoses, SAE 100R7, SAE 100R8 and R7 Steelflex

## Series 24 Balfit® Hose Fittings for Very High Pressure Hydraulic Spiral Hoses

Complete line of swaged Hydraulic Hose Fittings for SAE 100R12, DIN EN 4SP and DIN EN 4SH Hoses.

## Series 26 Balfit® Hose Fittings for Extreme Pressure Hydraulic Spiral Hoses

Complete line of swaged Hydraulic Hose Fittings, Powerspir type, with internal and external skiving for DIN EN 4SH, SAE 100R13 and SAE 100R15 Hoses.

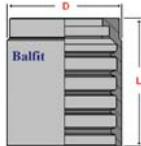


## NON SKIVE Balfit<sup>®</sup> SAE 100R7 / SAE 100R6 / SAE 100R8 SAE 100R14 Ferrule

*non-skive carbon steel ferrule for crimping on high pressure hydraulic hoses*

**Material:** carbon steel, zinc plated

**Connectors:** Balfit<sup>®</sup> crimped fittings 23 serie



### 20.107 - Ferrule for SAE 100R7 / SAE 100R6 / DIN 1TE / DIN 2TE / SAE 100R8 SAE 100R14 Hoses

part number	hose dash	hose Ø		dimensions (mm)	
		mm	inch	L	D
20.107.03	- 3	4,8	3/16	27	14
20.107.04	- 4	6,3	1/4"	29	17
20.107.05	- 5	7,9	5/16"	30	19
20.107.06	- 6	9,5	3/8"	31	21
20.107.08	- 8	12,7	1/2"	34	26
20.107.10	- 10	16,0	5/8"	36	29
20.107.12	- 12	19,0	3/4"	42	32
20.107.16	- 16	25,4	1"	50	40

also available:

### Balfit<sup>®</sup> Stainless Steel NON SKIVE R7 Ferrules

(add an 'S' at the end of the part number; ex: 20.107.04S)

#### Construction characteristics and dimensions may be changed at anytime without prior notice

The data contained herein is for information purposes only and does not enlarge, amend or imply any warranty other than provided by the manufacturer with the product.

Any use of the product not in conformance with the manufacturer's instruction may be dangerous

Only items in this catalog are carried in stock. Some items are subject to minimum quantities or sold in multiples of standard quantities. Please refer to the price list or contact our commercial department. Prices subject to change without notice.

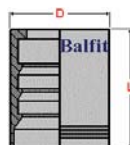


## SKIVE Balfit<sup>®</sup> DIN 4SP / SAE 100R12 / DIN 4SH Ferrules

*Skive carbon steel ferrule for crimping on skived high pressure SAE 100R12, EN 856 4SP & EN 856 4SH spiral hydraulic hoses*

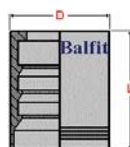
**Material:** carbon steel, zinc plated

**Connectors:** Balfit<sup>®</sup> crimped fittings 24 serie



### 20.400 - Ferrule for SAE 100R12 (1/2", 5/8", 3/4" and 1") / DIN EN 856 4SP / DIN EN 856 4SH (3/4" and 1") Hoses

part number	hose dash	hose $\varnothing$		dimensions (mm)	
		mm	inch	L	D
20.400.04	- 4	6,3	1/4"	40	21
20.400.06	- 6	9,5	3/8"	43	25
20.400.08	- 8	12,7	1/2"	42	28
20.400.10	- 10	16,0	5/8"	50	34
20.400.12	- 12	19,0	3/4"	51	38
20.400.16	- 16	25,4	1"	62	46
20.400.20	- 20	31,8	1.1/4"	66	56
20.400.24	- 24	38,1	1.1/2"	76	67
20.400.32	- 42	50,8	2"	80	80



### 20.403 - Ferrule for SAE 100R12 (1.1/4", 1.1/2" and 2") / DIN EN 856 4SH Hoses

part number	hose dash	hose $\varnothing$		dimensions (mm)	
		mm	inch	L	D
20.403.20	- 20	31,8	1.1/4"	65,9	52
20.403.24	- 24	38,1	1.1/2"	76,6	62
20.403.32	- 42	50,8	2"	79,9	75

also available:

### Balfit<sup>®</sup> Stainless Steel SKIVE 4SP and 4SH Ferrules

(add an 'S' at the end of the part number; ex: 20.400.12S or 20.403.32S)

#### Construction characteristics and dimensions may be changed at anytime without prior notice

The data contained herein is for information purposes only and does not enlarge, amend or imply any warranty other than provided by the manufacturer with the product.

Any use of the product not in conformance with the manufacturer's instruction may be dangerous

Only items in this catalog are carried in stock. Some items are subject to minimum quantities or sold in multiples of standard quantities. Please refer to the price list or contact our commercial department. Prices subject to change without notice.

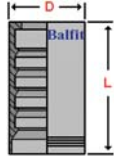


## NON SKIVE Balfit<sup>®</sup> SAE 100R1AT • 1SN, SAE 100R2AT • 2SN, 100R16, DIN 1SN • 2SN • 2SC

non-skive carbon steel ferrule for crimping on high pressure hydraulic hoses

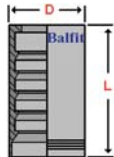
**Material:** carbon steel, zinc plated

**Connectors:** Balfit<sup>®</sup> crimped fittings 23 series



### 20.301 - Ferrule for SAE 100R1AT & 1SN Hose (1.1/4", 1.1/2" and 2")

part number	hose dash	hose Ø		dimensions (mm)	
		mm	inch	L	D
20.301.20	- 20	31,8	1.1/4"	50	54
20.301.24	- 24	38,1	1.1/2"	55	62.5
20.301.32	- 32	50,8	2"	59	76



### 20.302 - Ferrule for SAE 100R1AT • 1SN, SAE 100R2AT • 2SN, 100R16, DIN 1SN • 2SN • 2SC

part number	hose dash	hose Ø		dimensions (mm)	
		mm	inch	L	D
20.302.04	- 4	6,3	1/4"	26	22
20.302.05	- 5	7,9	5/16"	27.5	24
20.302.06	- 6	9,5	3/8"	29.5	26
20.302.08	- 8	12,7	1/2"	32.5	30
20.302.10	- 10	16,0	5/8"	35	34
20.302.12	- 12	19,0	3/4"	40	38
20.302.16	- 16	25,4	1"	50	48
20.302.20	- 20	31,8	1.1/2"	57	60
20.302.24	- 24	38,1	2"	99	67
20.301.32	- 32	50,8	1.1/2"	55	62.5

**Construction characteristics and dimensions may be changed at anytime without prior notice**

The data contained herein is for information purposes only and does not enlarge, amend or imply any warranty other than provided by the manufacturer with the product.

Any use of the product not in conformance with the manufacturer's instruction may be dangerous

Only items in this catalog are carried in stock. Some items are subject to minimum quantities or sold in multiples of standard quantities. Please refer to the price list or contact our commercial department. Prices subject to change without notice.

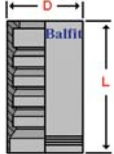


## NON SKIVE Balfit<sup>®</sup> SAE 100R17 / 1SC

non-skive carbon steel ferrule for crimping on high pressure hydraulic hoses

**Material:** carbon steel, zinc plated

**Connectors:** Balfit<sup>®</sup> crimped fittings 23 series



### 20.305 - Ferrule for SAE 100R17 / 1SC

part number	hose dash	hose $\varnothing$		dimensions (mm)	
		mm	inch	L	D
20.302.04	- 4	6,3	1/4"	23.35	19
20.302.05	- 5	7,9	5/16"	27.5	20
20.302.06	- 6	9,5	3/8"	30	23
20.302.08	- 8	12,7	1/2"	32	26.6
20.302.10	- 10	16,0	5/8"	35	29
20.302.12	- 12	19,0	3/4"	40.75	33
20.302.16	- 16	25,4	1"	45	42

**Construction characteristics and dimensions may be changed at anytime without prior notice**

The data contained herein is for information purposes only and does not enlarge, amend or imply any warranty other than provided by the manufacturer with the product.

Any use of the product not in conformance with the manufacturer's instruction may be dangerous

Only items in this catalog are carried in stock. Some items are subject to minimum quantities or sold in multiples of standard quantities. Please refer to the price list or contact our commercial department. Prices subject to change without notice.

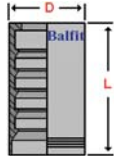


## DOUBLE SKIVE Balfit<sup>®</sup> SAE 100R13 / SAE 100R15 / DIN 4SH

carbon steel ferrule for crimping on double-skived (internally and externally) high pressure **DIN EN 856 4SH, SAE 100R13 & SAE 100R15** hydraulic hoses

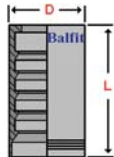
**Material:** carbon steel, zinc plated

**Connectors:** Balfit<sup>®</sup> crimped fittings 26 serie



### 20.405 - Ferrule for DIN EN 856 4SH Hose (1.1/4", 1.1/2" and 2")

part number	hose dash	hose Ø		dimensions (mm)	
		mm	inch	L	D
20.405.20	- 20	31,8	1.1/4"	88	55
20.405.24	- 24	38,1	1.1/2"	94	62
20.405.32	- 32	50,8	2"	99	80



### 20.406 - Ferrule for DIN EN 856 4SH Hose (3/4" and 1"), SAE 100R13 Hose (all sizes) and SAE 100R15 Hose (all sizes)

part number	hose dash	hose Ø		dimensions (mm)	
		mm	inch	L	D
20.406.12	- 12	19,1	3/4"	60	38
20.406.16	- 16	25,4	1"	75	46
20.406.20	- 20	31,8	1.1/4"	88	60
20.406.24	- 24	38,1	1.1/2"	94	65
20.406.32	- 32	50,8	2"	99	80

also available:

### Balfit<sup>®</sup> Stainless Steel DOUBLE SKIVE Powerspir Ferrules

(add an 'S' at the end of the part number; ex: 20.405.20S or 20.406.12S)

#### Construction characteristics and dimensions may be changed at anytime without prior notice

The data contained herein is for information purposes only and does not enlarge, amend or imply any warranty other than provided by the manufacturer with the product.

Any use of the product not in conformance with the manufacturer's instruction may be dangerous

Only items in this catalog are carried in stock. Some items are subject to minimum quantities or sold in multiples of standard quantities. Please refer to the price list or contact our commercial department. Prices subject to change without notice.

# Balflex® HOSES VS FITTINGS (2-Piece)



Hose Vs Fittings			3/16"	1/4"	5/16"	3/8"	1/2"	5/8"	3/4"	1"	1.1/4"	1.1/2"	2"
			- 03	- 04	- 05	- 06	- 08	- 10	- 12	- 16	- 20	- 24	- 32
Balflex®			Balfit®	Balfit®	Balfit®	Balfit®	Balfit®	Balfit®	Balfit®	Balfit®	Balfit®	Balfit®	Balfit®
R6 / 1TE		10.1216	20.107	20.107	20.107	20.107	20.107	20.107	20.107	20.107	X	X	X
			23.XXXX	23.XXXX	23.XXXX	23.XXXX	23.XXXX	23.XXXX	23.XXXX	23.XXXX			
2TE		10.1217	20.107	20.107	20.107	20.107	20.107	20.107	20.107	20.107	X	X	X
			23.XXXX	23.XXXX	23.XXXX	23.XXXX	23.XXXX	23.XXXX	23.XXXX	23.XXXX			
R3 / 3TE		10.1220	20.201	20.201	20.201	20.201	20.202	20.202	20.202	20.201	20.201	20.201	20.201
			23.XXXX	23.XXXX	23.XXXX	23.XXXX	23.XXXX	23.XXXX	23.XXXX	23.XXXX	23.XXXX	23.XXXX	23.XXXX
R1T / 1SN		10.1002	20.101	20.302	20.302	20.302	20.302	20.302	20.302	20.301	20.301	20.301	20.301
			23.XXXX	23.XXXX	23.XXXX	23.XXXX	23.XXXX	23.XXXX	23.XXXX	23.XXXX	23.XXXX	23.XXXX	23.XXXX
R2T / 2SN		10.1004	20.201	20.302	20.302	20.302	20.302	20.302	20.302	20.302	20.302	20.302	20.302
			23.XXXX	23.XXXX	23.XXXX	23.XXXX	23.XXXX	23.XXXX	23.XXXX	23.XXXX	23.XXXX	23.XXXX	23.XXXX
10.1017		R17 / 1SC	X	20.305	20.305	20.305	20.305	20.302	20.302	20.302	X	X	X
			23.XXXX	23.XXXX	23.XXXX	23.XXXX	23.XXXX	23.XXXX	23.XXXX	23.XXXX			
1SC		10.1018	X	X	X	X	X	20.305	20.305	20.305	X	X	X
			23.XXXX	23.XXXX	23.XXXX	23.XXXX	23.XXXX	23.XXXX	23.XXXX				
R16/2SC		10.1019	X	20.302	20.302	20.302	20.302	20.302	20.302	20.302	X	X	X
			23.XXXX	23.XXXX	23.XXXX	23.XXXX	23.XXXX	23.XXXX	23.XXXX				
R12 ★		10.1012	X	X	X	X	20.400	20.400	20.400	20.400	20.403	20.403	20.403
			24.XXXX	24.XXXX	24.XXXX	24.XXXX	24.XXXX	24.XXXX	24.XXXX	23.XXXX	23.XXXX	23.XXXX	
4SP ★		10.1008	X	20.400	X	20.400	20.400	20.400	20.400	20.400	20.400	20.400	20.400
			24.XXXX	24.XXXX	24.XXXX	24.XXXX	24.XXXX	24.XXXX	24.XXXX	23.XXXX	23.XXXX	23.XXXX	
4SH		10.1009	X	X	X	X	X	X	20.400 ★	20.400 ★	20.403 ★	20.403 ★	20.403 ★
			20.406 ★	20.406 ★	20.405 ★	20.405 ★	20.405 ★	20.405 ★	20.405 ★	20.405 ★	20.405 ★		
			24.XXXX	24.XXXX	24.XXXX	24.XXXX	24.XXXX	24.XXXX	24.XXXX	24.XXXX	24.XXXX		
			26.XXXX	26.XXXX	26.XXXX	26.XXXX	26.XXXX	26.XXXX	26.XXXX	26.XXXX	26.XXXX		
R13 ★		10.1014	X	X	X	X	X	X	See 4SH	See 4SH	20.406	20.406	20.406
			26.XXXX	26.XXXX	26.XXXX	26.XXXX	26.XXXX	26.XXXX	26.XXXX				
R15 ★		10.1016	X	X	X	X	X	X	See 4SH	20.406	20.406	20.406	20.406
			26.XXXX	26.XXXX	26.XXXX	26.XXXX	26.XXXX	26.XXXX					
2-MAX JACK		10.1029	X	20.302	X	20.302	20.302	X	X	X	X	X	X
			23.XXXX	23.XXXX	23.XXXX								

★ - External Skive (Single Skive)

★ - External & Internal Skive (Double Skive)

**Construction characteristics and dimensions may be changed at anytime without prior notice**

The data contained herein is for information purposes only and does not enlarge, amend or imply any warranty other than provided by the manufacturer with the product.

Any use of the product not in conformance with the manufacturer's instruction may be dangerous






Only items in this catalog are carried in stock. Some items are subject to minimum quantities or sold in multiples of standard quantities. Please refer to the price list or contact our commercial department. Prices subject to change without notice.





# Balflex® HOSES VS FITTINGS (2-Piece) Continued

BALFLEX - THE BEST NAME YOU CAN GET IN HOSE

R7 TEXTILE		10.1030 10.1034	20.107	20.107	20.107	20.107	20.107	20.107	20.107	20.107	X	X	X
			23.XXXX	23.XXXX	23.XXXX	23.XXXX	23.XXXX	23.XXXX	23.XXXX	23.XXXX			
R7 STEEL		10.1031 10.1035	20.107	20.107	20.107	20.107	20.107	20.107	20.107	20.107	X	X	X
			23.XXXX	23.XXXX	23.XXXX	23.XXXX	23.XXXX	23.XXXX	23.XXXX	23.XXXX			
R8		10.1033	20.107	20.107	20.107	20.107	20.107	20.107	20.107	20.107	X	X	X
			23.XXXX	23.XXXX	23.XXXX	23.XXXX	23.XXXX	23.XXXX	23.XXXX	23.XXXX			
R14		10.2000 (AMERICAN) 10.2003 (EUROPEAN)	20.107	20.107	20.107	20.107	20.107	20.107	20.107	20.107	20.107	20.107	20.107
			23.XXXX	23.XXXX	23.XXXX	23.XXXX	23.XXXX	23.XXXX	23.XXXX	23.XXXX	23.XXXX	23.XXXX	23.XXXX
PTFE OND		10.2010	X	20.107	20.107	20.107	20.107	20.107	20.107	20.107	20.107	20.107	20.107
				20.TFC	20.TFC	20.TFC	20.TFC	20.TFC	20.TFC	20.TFC	20.TFC	20.TFC	20.TFC
				23.XXXX	23.XXXX	23.XXXX	23.XXXX	23.XXXX	23.XXXX	23.XXXX	23.XXXX	23.XXXX	23.XXXX

★ - External Skive (Single Skive)

★ - External & Internal Skive (Double Skive)

### Construction characteristics and dimensions may be changed at anytime without prior notice

The data contained herein is for information purposes only and does not enlarge, amend or imply any warranty other than provided by the manufacturer with the product.

Any use of the product not in conformance with the manufacturer's instruction may be dangerous

Only items in this catalog are carried in stock. Some items are subject to minimum quantities or sold in multiples of standard quantities. Please refer to the price list or contact our commercial department. Prices subject to change without notice.

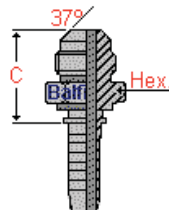
# Balfit® 23 Series - JIC Male Two Piece - Non Skive - Stems



BALFLEX - THE BEST NAME YOU CAN GET IN HOSE

## Balfit® JIC Male 37° - 23.2000

carbon steel, JIC American thread, 37° flared (5/8" - 18 is 45° flared) male for crimping on high pressure hydraulic hoses



According to **ISO 12151-5** and **ISO 8434-2** According to **SAE J516 / SAE J514**

**Material:** Carbon Steel, Trivalent Zink Plated - Rohs Compliant

**Ferrules:** Balfit Ferrule Series - 20.100, 20.101, 20.107, 20.200, 20.201, 20.202, 20.301, 20.302, 20.305

**Hoses:** Balflex Balflex Forza Uno - SAE 100R1AT/DIN EN 853 2SN

Balflex Forza Due - SAE 100R2AT/DIN EN 853 2SN

Balflex Balpac Premium - SAE 100R16/ DIN EN 853 2SC. Balpac 3000 - SAE 100R17/ DIN EN 853 1SC

Balflex textile braid hydraulic hose - SAE 100R3, SAE 100R6, DIN EN 854 1TE / 2TE / 3TE

Balflex thermoplastic hydraulic hoses - SAE100R7, SAE100R8 / DIN EN 855

Balflex PTFE stainless braid - 100R14

Balflex 2-MAX JACK / 3 MAX JACK

Balflex Balmaster - SAE 100R12 / DIN EN 856 4SP - on 1 1/4", 1 1/2" & 2"

part number	hose dash	hose Ø	thread	thread dash	C Cut Off	Hex.
		inch				
23-0304-MJ	- 3	3/16"	7/16" - 20	- 4	26	12
23-0404-MJ	- 4	1/4"	7/16" - 20	- 4	26	12
23-0405-MJ	- 4	1/4"	1/2" - 20	- 5	26	14
23-0406-MJ	- 4	1/4"	9/16" - 18	- 6	26	14
23-0507-MJ	- 5	5/16"	5/8" - 18	- 7	26	17
23-0505-MJ	- 5	5/16"	1/2" - 20	- 5	27	14
23-0506-MJ	- 5	5/16"	9/16" - 18	- 6	27	17
23-0606-MJ	- 6	3/8"	9/16" - 18	- 6	27	17
23-0607-MJ	- 6	3/8"	5/8" - 18	- 7	28	17
23-0608-MJ	- 6	3/8"	3/4" - 16	- 8	31	22
23-0610-MJ	- 6	3/8"	7/8" - 14	- 10	34	24
23-0808-MJ	- 8	1/2"	3/4" - 16	- 8	32	22
23-0810-MJ	- 8	1/2"	7/8" - 14	- 10	35	24
23-0812-MJ	- 8	1/2"	1.1/16" - 12	- 12	39	27
23-1010-MJ	- 10	5/8"	7/8" - 14	- 10	35	24
23-1012-MJ	- 10	5/8"	1.1/16" - 12	- 12	40	27
23-1212-MJ	- 12	3/4"	1.1/16" - 12	- 12	40	27
23-1214-MJ	- 12	3/4"	1.3/16" - 12	- 14	41	32
23-1216-MJ	- 12	3/4"	1.5/16" - 12	- 16	42	36
23-1616-MJ	- 16	1"	1.5/16" - 12	- 16	43	36
23-1620-MJ	- 16	1"	1.5/8" - 12	- 20	47	46
23-2020-MJ	- 20	1.1/4"	1.5/8" - 12	- 20	49	46
23-2024-MJ	- 20	1.1/4"	1.7/8" - 12	- 24	54	50
23-2424-MJ	- 24	1.1/2"	1.7/8" - 12	- 24	54	50
23-3232-MJ	- 32	2"	2.1/2" - 12	- 32	72	65

also available:

### Balfit® Stainless Steel JIC Male

(add an 'S' at the end of the part number; ex: 23.2000.0808S)

#### Construction characteristics and dimensions may be changed at anytime without prior notice

The data contained herein is for information purposes only and does not enlarge, amend or imply any warranty other than provided by the manufacturer with the product.

Any use of the product not in conformance with the manufacturer's instruction may be dangerous

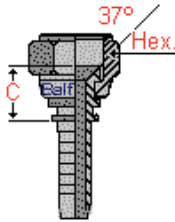
Only items in this catalog are carried in stock. Some items are subject to minimum quantities or sold in multiples of standard quantities. Please refer to the price list or contact our commercial department. Prices subject to change without notice.



# Balfit<sup>®</sup> 23 Series - JIC Female Swivel Two Piece - Non Skive - Stems

## Balfit<sup>®</sup> JIC 37° Swivel Female - 23.4012

carbon steel, JIC American thread, 37° flared (5/8" - 18 is 45° flared) female for crimping on high pressure hydraulic hoses



According to **ISO 12151-5** and **ISO 8434-2** According to **SAE J516 / SAE J514**

(see option 23.4H12.- for back hexagon)

**Material:** Carbon Steel, Trivalent Zink Plated - Rohs Compliant

**Ferrules:** Balfit Ferrule Series - 20.100, 20.101, 20.107, 20.200, 20.201, 20.202, 20.301, 20.302, 20.305

**Hoses:** Balflex Balflex Forza Uno - SAE 100R1AT/DIN EN 853 2SN

Balflex Forza Due - SAE 100R2AT/DIN EN 853 2SN

Balflex Balpac Premium - SAE 100R16/ DIN EN 853 2SC. Balpac 3000 - SAE 100R17/ DIN EN 853 1SC

Balflex textile braid hydraulic hose - SAE 100R3, SAE 100R6, DIN EN 854 1TE / 2TE / 3TE

Balflex thermoplastic hydraulic hoses - SAE100R7, SAE100R8 / DIN EN 855

Balflex PTFE stainless braid - 100R14

Balflex 2-MAX JACK / 3 MAX JACK

Balflex Balmaster - SAE 100R12 / DIN EN 856 4SP - on 1 1/4", 1 1/2" & 2"

part number	hose dash	hose Ø	thread	thread dash	C Cut Off	Hex.
		inch				
23-0304-FJNH	- 3	3/16"	7/16" - 20	- 4	13	15
23-0404-FJNH	- 4	1/4"	7/16" - 20	- 4	15	15
23-0405-FJNH	- 4	1/4"	1/2" - 20	- 5	15	17
23-0406-FJNH	- 4	1/4"	9/16" - 18	- 6	15	19
23-0506-FJNH	- 5	5/16"	9/16" - 18	- 6	16	19
23-0606-FJNH	- 6	3/8"	9/16" - 18	- 6	16	19
23-0607-FJNH	- 6	3/8"	5/8" - 18	- 7	15	22
23-0608-FJNH	- 6	3/8"	3/4" - 16	- 8	18	24
23-0610-FJNH	- 6	3/8"	7/8" - 14	- 10	19	27
23-0808-FJNH	- 8	1/2"	3/4" - 16	- 8	18	24
23-0810-FJNH	- 8	1/2"	7/8" - 14	- 10	19	27
23-0812-FJNH	- 8	1/2"	1.1/16" - 12	- 12	21	32
23-1010-FJNH	- 10	5/8"	7/8" - 14	- 10	20	27
23-1012-FJNH	- 10	5/8"	1.1/16" - 12	- 12	21	32
23-1212-FJNH	- 12	3/4"	1.1/16" - 12	- 12	21	32
23-1214-FJNH	- 12	3/4"	1.3/16" - 12	- 14	21	36
23-1216-FJNH	- 12	3/4"	1.5/16" - 12	- 16	22	41
23-1616-FJNH	- 16	1"	1.5/16" - 12	- 16	23	41
23-1620-FJNH	- 16	1"	1.5/8" - 12	- 20	25	50
23-2020-FJNH	- 20	1.1/4"	1.5/8" - 12	- 20	26	50
23-2424-FJNH	- 24	1.1/2"	1.7/8" - 12	- 24	27	55
23-3232-FJNH	- 32	2"	2.1/2" - 12	- 32	27	70

also available:

### Balfit<sup>®</sup> Stainless Steel JIC Female

(add an 'S' at the end of the part number; ex: 23.4012.0808S)

#### Construction characteristics and dimensions may be changed at anytime without prior notice

The data contained herein is for information purposes only and does not enlarge, amend or imply any warranty other than provided by the manufacturer with the product.

Any use of the product not in conformance with the manufacturer's instruction may be dangerous

Only items in this catalog are carried in stock. Some items are subject to minimum quantities or sold in multiples of standard quantities. Please refer to the price list or contact our commercial department. Prices subject to change without notice.

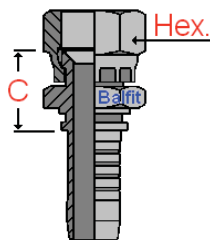
# Balfit® 23 Series - JIC Swivel with Back Hex Two Piece - Non Skive - Stems



BALFLEX - THE BEST NAME YOU CAN GET IN HOSE

## Balfit® JIC 37° Swivel Female with Back Hexagon - 23.4H12

carbon steel, JIC American thread, 37° flared (5/8" - 18 is 45° flared) female for crimping on high pressure hydraulic hoses



According to **ISO 12151-5** and **ISO 8434-2** According to **SAE J516 / SAE J514**

**Material:** Carbon Steel, Trivalent Zink Plated - Rohs Compliant

**Ferrules:** Balfit Ferrule Series - 20.100, 20.101, 20.107, 20.200, 20.201, 20.202, 20.301, 20.302, 20.305

**Hoses:** Balflex Balflex Forza Uno - SAE 100R1AT/DIN EN 853 2SN

Balflex Forza Due - SAE 100R2AT/DIN EN 853 2SN

Balflex Balpac Premium - SAE 100R16/ DIN EN 853 2SC. Balpac 3000 - SAE 100R17/ DIN EN 853 1SC

Balflex textile braid hydraulic hose - SAE 100R3, SAE 100R6, DIN EN 854 1TE / 2TE / 3TE

Balflex thermoplastic hydraulic hoses - SAE100R7, SAE100R8 / DIN EN 855

Balflex PTFE stainless braid - 100R14

Balflex 2-MAX JACK / 3 MAX JACK

Balflex Balmaster - SAE 100R12 / DIN EN 856 4SP - on 1 1/4", 1 1/2" & 2"

part number	hose dash	hose Ø	thread	thread dash	C Cut Off	Hex.
		inch				
23-0404-FJ	- 4	1/4"	7/16" - 20	- 4	20	15
23-0405-FJ	- 4	1/4"	1/2" - 20	- 5	21	17
23-0406-FJ	- 4	1/4"	9/16" - 18	- 6	21	19
23-0506-FJ	- 5	5/16"	9/16" - 18	- 6	21	19
23-0606-FJ	- 6	3/8"	9/16" - 18	- 6	21	19
23-0607-FJ	- 6	3/8"	5/8" - 18	- 7	26	22
23-0608-FJ	- 6	3/8"	3/4" - 16	- 8	25	24
23-0610-FJ	- 6	3/8"	7/8" - 14	- 10	27	27
23-0808-FJ	- 8	1/2"	3/4" - 16	- 8	25	24
23-0810-FJ	- 8	1/2"	7/8" - 14	- 10	29	27
23-0812-FJ	- 8	1/2"	1.1/16" - 12	- 12	30	32
23-1010-FJ	- 10	5/8"	7/8" - 14	- 10	29	27
23-1012-FJ	- 10	5/8"	1.1/16" - 12	- 12	32	32
23-1212-FJ	- 12	3/4"	1.1/16" - 12	- 12	31	32
23-1214-FJ	- 12	3/4"	1.1/16" - 12	- 14	33	36
23-1216-FJ	- 12	3/4"	1.5/16" - 12	- 16	34	41
23-1616-FJ	- 16	1"	1.5/16" - 12	- 16	35	41
23-2020-FJ	- 20	1.1/4"	1.5/8" - 12	- 20	39	50
23-2424-FJ	- 24	1.1/2"	1.7/8" - 12	- 24	41	55
23-3232-FJ	- 32	2"	2.1/2" - 12	- 32	43	70

also available:

### Balfit® Stainless Steel JIC Female with back hexagon

(add an 'S' at the end of the part number; ex: 23.4H12.0808S)

#### Construction characteristics and dimensions may be changed at anytime without prior notice

The data contained herein is for information purposes only and does not enlarge, amend or imply any warranty other than provided by the manufacturer with the product.

Any use of the product not in conformance with the manufacturer's instruction may be dangerous

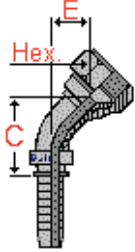
Only items in this catalog are carried in stock. Some items are subject to minimum quantities or sold in multiples of standard quantities. Please refer to the price list or contact our commercial department. Prices subject to change without notice.



# Balfit® 23 Series - JIC 45° Swivel Two Piece - Non Skive - Stems

## Balfit® JIC 37° - 45° Swept Swivel Female - 23.4042

**solid-piece**, carbon steel, JIC American thread, 37° flared (5/8" - 18 is 45° flared) 45 Swept for crimping on high pressure hydraulic hoses



According to **ISO 12151-5** and **ISO 8434-2** According to **SAE J516 / SAE J514**

**Material:** Carbon Steel, Trivalent Zink Plated - Rohs Compliant

**Ferrules:** Balfit Ferrule Series - 20.100, 20.101, 20.107, 20.200, 20.201, 20.202, 20.301, 20.302, 20.305

**Hoses:** Balflex Balflex Forza Uno - SAE 100R1AT/DIN EN 853 2SN

Balflex Forza Due - SAE 100R2AT/DIN EN 853 2SN

Balflex Balpac Premium - SAE 100R16/ DIN EN 853 2SC. Balpac 3000 - SAE 100R17/ DIN EN 853 1SC

Balflex textile braid hydraulic hose - SAE 100R3, SAE 100R6, DIN EN 854 1TE / 2TE / 3TE

Balflex thermoplastic hydraulic hoses - SAE100R7, SAE100R8 / DIN EN 855

Balflex PTFE stainless braid - 100R14

Balflex 2-MAX JACK / 3 MAX JACK

Balflex Balmaster - SAE 100R12 / DIN EN 856 4SP - on 1 1/4", 1 1/2" & 2"

part number	hose dash	hose Ø	thread	thread dash	C Cut Off	E	Hex.
		inch			mm	mm	mm
23-0304-FJ45	- 3	3/16"	7/16" - 20	- 4	22	15	15
23-0404-FJ45	- 4	1/4"	7/16" - 20	- 4	38	14	15
23-0405-FJ45	- 4	1/4"	1/2" - 20	- 5	40	14	17
23-0406-FJ45	- 4	1/4"	9/16" - 18	- 6	38	17	19
23-0506-FJ45	- 5	5/16"	9/16" - 18	- 6	47	18	19
23-0606-FJ45	- 6	3/8"	9/16" - 18	- 6	51	17	19
23-0607-FJ45	- 6	3/8"	5/8" - 18	- 7	51	17	22
23-0608-FJ45	- 6	3/8"	3/4" - 16	- 8	52	17	24
23-0610-FJ45	- 6	3/8"	7/8" - 14	- 10	54	21	27
23-0808-FJ45	- 8	1/2"	3/4" - 16	- 8	65	22	24
23-0810-FJ45	- 8	1/2"	7/8" - 14	- 10	64	23	27
23-0812-FJ45	- 8	1/2"	1.1/16" - 12	- 12	68	25	32
23-1010-FJ45	- 10	5/8"	7/8" - 14	- 10	68	24	27
23-1012-FJ45	- 10	5/8"	1.1/16" - 12	- 12	70	25	32
23-1212-FJ45	- 12	3/4"	1.1/16" - 12	- 12	84	28	32
23-1214-FJ45	- 12	3/4"	13/16" - 12	- 14	56	53	36
23-1216-FJ45	- 12	3/4"	1.5/16" - 12	- 16	88	30	41
23-1616-FJ45	- 16	1"	1.5/16" - 12	- 16	104	33	41
23-2020-FJ45	- 20	1.1/4"	1.5/8" - 12	- 20	104	45	50
23-2424-FJ45	- 24	1.1/2"	1.7/8" - 12	- 24	140	49	55
23-3232-FJ45	- 32	2"	2.1/2" - 12	- 32	170	68	70

also available:

### Balfit® Stainless Steel 45° Swept JIC Female

(add an 'S' at the end of the part number; ex: 23.4042.0404S)

#### Construction characteristics and dimensions may be changed at anytime without prior notice

The data contained herein is for information purposes only and does not enlarge, amend or imply any warranty other than provided by the manufacturer with the product.

Any use of the product not in conformance with the manufacturer's instruction may be dangerous

Only items in this catalog are carried in stock. Some items are subject to minimum quantities or sold in multiples of standard quantities. Please refer to the price list or contact our commercial department. Prices subject to change without notice.

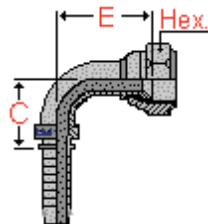
# Balfit® 23 Series - JIC 90° Swivel Two Piece - Non Skive - Stems



BALFLEX - THE BEST NAME YOU CAN GET IN HOSE

## Balfit® JIC 37° - 90° Swept Swivel Female - 23.4092

**solid-piece**, carbon steel, JIC American thread, 37° flared (5/8" - 18 is 45° flared) 90 Swept for crimping on high pressure hydraulic hoses



According to **ISO 12151-5** and **ISO 8434-2** According to **SAE J516 / SAE J514**

**Material:** Carbon Steel, Trivalent Zink Plated - Rohs Compliant

**Ferrules:** Balfit Ferrule Series - 20.100, 20.101, 20.107, 20.200, 20.201, 20.202, 20.301, 20.302, 20.305

**Hoses:** Balflex Balflex Forza Uno - SAE 100R1AT/DIN EN 853 2SN

Balflex Forza Due - SAE 100R2AT/DIN EN 853 2SN

Balflex Balpac Premium - SAE 100R16/ DIN EN 853 2SC. Balpac 3000 - SAE 100R17/ DIN EN 853 1SC

Balflex textile braid hydraulic hose - SAE 100R3, SAE 100R6, DIN EN 854 1TE / 2TE / 3TE

Balflex thermoplastic hydraulic hoses - SAE100R7, SAE100R8 / DIN EN 855

Balflex PTFE stainless braid - 100R14

Balflex 2-MAX JACK / 3 MAX JACK

Balflex Balmaster - SAE 100R12 / DIN EN 856 4SP - on 1 1/4", 1 1/2" & 2"

part number	hose dash	hose Ø	thread	thread dash	C	E	Hex.
		Inch			mm	mm	mm
23-0304-FJ90	- 3	3/16"	7/16" - 20	- 4	22	22	15
23-0404-FJ90	- 4	1/4"	7/16" - 20	- 4	25	26	15
23-0405-FJ90	- 4	1/4"	1/2" - 20	- 5	25	26	17
23-0406-FJ90	- 4	1/4"	9/16" - 18	- 6	25	27	19
23-0506-FJ90	- 5	5/16"	9/16" - 18	- 6	33	31	19
23-0606-FJ90	- 6	3/8"	9/16" - 18	- 6	36	33	19
23-0607-FJ90	- 6	3/8"	5/8" - 18	- 7	33	32	22
23-0608-FJ90	- 6	3/8"	3/4" - 16	- 8	37	39	24
23-0610-FJ90	- 6	3/8"	7/8" - 14	- 10	34	39	27
23-0808-FJ90	- 8	1/2"	3/4" - 16	- 8	39	42	24
23-0810-FJ90	- 8	1/2"	7/8" - 14	- 10	44	47	27
23-0812-FJ90	- 8	1/2"	1.1/16" - 12	- 12	40	45	32
23-1010-FJ90	- 10	5/8"	7/8" - 14	- 10	46	46	27
23-1012-FJ90	- 10	5/8"	1.1/16" - 12	- 12	45	49	32
23-1212-FJ90	- 12	3/4"	1.1/16" - 12	- 12	56	54	32
23-1214-FJ90	- 12	3/4"	1.3/16" - 12	- 14	58	58	36
23-1216-FJ90	- 12	3/4"	1.5/16" - 12	- 16	63	62	41
23-1616-FJ90	- 16	1"	1.5/16" - 12	- 16	73	71	41
23-2020-FJ90	- 20	1.1/4"	1.5/8" - 12	- 20	85	88	50
23-2424-FJ90	- 24	1.1/2"	1.7/8" - 12	- 24	99	101	55
23-3232-FJ90	- 32	2"	2.1/2" - 12	- 32	125	124	70

also available:

### Balfit® Stainless Steel 90° Swept JIC Female

(add an 'S' at the end of the part number; ex: 23.4092.0606S)

#### Construction characteristics and dimensions may be changed at anytime without prior notice

The data contained herein is for information purposes only and does not enlarge, amend or imply any warranty other than provided by the manufacturer with the product.

Any use of the product not in conformance with the manufacturer's instruction may be dangerous

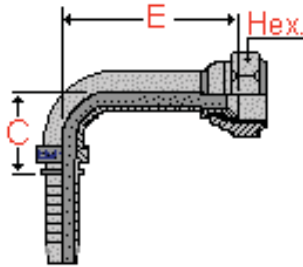
Only items in this catalog are carried in stock. Some items are subject to minimum quantities or sold in multiples of standard quantities. Please refer to the price list or contact our commercial department. Prices subject to change without notice.



# Balfit<sup>®</sup> 2- Piece Fittings

## Balfit<sup>®</sup> JIC 37° - 90° Swept Swivel Female SAE Long Drop - 23.4092L

*solid-piece, carbon steel, JIC American thread, 37° flared (5/8" - 18 is 45° flared) 90° Swept for crimping on high pressure hydraulic hoses*



According to **ISO 12151-5** and **ISO 8434-2** According to **SAE J516**

**Material:** Carbon Steel, Trivalent Zink Plated - Rohs Compliant

**Ferrules:** Balfit Ferrule Series - 20.100, 20.101, 20.107, 20.200, 20.201, 20.202, 20.301, 20.302, 20.305

**Hoses:** Balflex Balflex Forza Uno - SAE 100R1AT/DIN EN 853 2SN

Balflex Forza Due - SAE 100R2AT/DIN EN 853 2SN

Balflex Balpac Premium - SAE 100R16/ DIN EN 853 2SC. Balpac 3000 - SAE 100R17/ DIN EN 853 1SC

Balflex textile braid hydraulic hose - SAE 100R3, SAE 100R6, DIN EN 854 1TE / 2TE / 3TE

Balflex thermoplastic hydraulic hoses - SAE100R7, SAE100R8 / DIN EN 855

Balflex PTFE stainless braid - 100R14

Balflex 2-MAX JACK / 3 MAX JACK

Balflex Balmaster - SAE 100R12 / DIN EN 856 4SP - on 1 1/4", 1 1/2" & 2"

part number	hose dash	hose Ø	thread	thread dash	C Cut Off	E	Hex.
		Inch			mm	mm	mm
23-0606-FJ90L	- 6	3/8"	9/16" - 18	- 6	36	55.4	19
23-0608-FJ90L	- 6	3/8"	3/4" - 16	- 8	37	61.7	24
23-0808-FJ90L	- 8	1/2"	3/4" - 16	- 8	39	61.7	24
23-0810-FJ90L	- 8	1/2"	7/8" - 14	- 10	44	65.3	27
23-1212-FJ90L	- 12	3/4"	1-1/16" - 12	- 12	56	94.7	32
23-1616-FJ90L	- 16	1"	1-5/16" - 12	- 16	73	110	41

### Construction characteristics and dimensions may be changed at anytime without prior notice

The data contained herein is for information purposes only and does not enlarge, amend or imply any warranty other than provided by the manufacturer with the product.

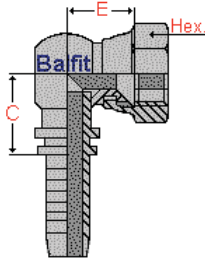
Any use of the product not in conformance with the manufacturer's instruction may be dangerous

Only items in this catalog are carried in stock. Some items are subject to minimum quantities or sold in multiples of standard quantities. Please refer to the price list or contact our commercial department. Prices subject to change without notice.



## Balfit<sup>®</sup> JIC 37° Compact Elbow Female - 23.4082

**solid-piece**, carbon steel, JIC (American thread, 37° flared) 90 compact elbow swivel female for crimping on high pressure hydraulic hoses



According to **ISO 8434-2** According to **SAE J514**

**Material:** Carbon Steel, Trivalent Zink Plated - Rohs Compliant

**Ferrules:** Balfit Ferrule Series - 20.100, 20.101, 20.107, 20.200, 20.201, 20.202, 20.301, 20.302, 20.305

**Hoses:** Balflex Balpac Forza Uno - SAE 100R1AT/DIN EN 853 2SN

Balflex Forza Due - SAE 100R2AT/DIN EN 853 2SN

Balflex Balpac Premium - SAE 100R16/ DIN EN 853 2SC. Balpac 3000 - SAE 100R17/ DIN EN 853 1SC

Balflex textile braid hydraulic hose - SAE 100R3, SAE 100R6, DIN EN 854 1TE / 2TE / 3TE

Balflex thermoplastic hydraulic hoses - SAE100R7, SAE100R8 / DIN EN 855

Balflex PTFE stainless braid - 100R14

Balflex 2-MAX JACK / 3 MAX JACK

Balflex Balmaster - SAE 100R12 / DIN EN 856 4SP - on 1 1/4", 1 1/2" & 2"

part number	hose dash	hose Ø	thread	thread dash	C	E	Hex.
		Inch			mm		
23-0404-FJ90C	- 4	1/4"	7/16" - 20	- 4	14	20	14
23-0405-FJ90C	- 4	1/4"	1/2" - 20	- 5	14	21	17
23-0406-FJ90C	- 4	1/4"	9/16" - 18	- 6	15	24	19
23-0506-FJ90C	- 5	5/16"	9/16" - 18	- 6	15	24	19
23-0606-FJ90C	- 6	3/8"	9/16" - 18	- 6	18	24	19
23-0608-FJ90C	- 6	3/8"	3/4" - 16	- 8	20	23	24
23-0808-FJ90C	- 8	1/2"	3/4" - 16	- 8	21	23	24
23-0810-FJ90C	- 8	1/2"	7/8" - 14	- 10	21	23	27
23-1010-FJ90C	- 10	5/8"	7/8" - 14	- 10	23	27	27
23-1012-FJ90C	- 10	5/8"	1.1/16" - 12	- 12	23	29	32
23-1212-FJ90C	- 12	3/4"	1.1/16" - 12	- 12	27	31	32
23-1616-FJ90C	- 16	1"	1.5/16" - 12	- 16	35	37	41

also available:

**Balfit** Stainless Steel 90° Compact Elbow JIC Female

(add an 'S' at the end of the part number; ex: 23.4082.0606S)

**Construction characteristics and dimensions may be changed at anytime without prior notice**

The data contained herein is for information purposes only and does not enlarge, amend or imply any warranty other than provided by the manufacturer with the product.

Any use of the product not in conformance with the manufacturer's instruction may be dangerous

Only items in this catalog are carried in stock. Some items are subject to minimum quantities or sold in multiples of standard quantities. Please refer to the price list or contact our commercial department. Prices subject to change without notice.

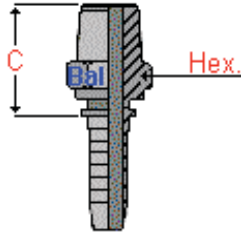




# Balfit<sup>®</sup> 23 Series - NPT Male Two Piece - Non Skive - Stems

## Balfit<sup>®</sup> NPT Male - 23.0400

carbon steel, NPT (dry-seal taper thread) male fitting for crimping on high pressure hydraulic hoses



According to **SAE J516 / SAE J514**

**Material:** Carbon Steel, Trivalent Zink Plated - Rohs Compliant

**Ferrules:** Balfit Ferrule Series - 20.100, 20.101, 20.107, 20.200, 20.201, 20.202, 20.301, 20.302, 20.305

**Hoses:** Balflex Balpac Forza Uno - SAE 100R1AT/DIN EN 853 2SN

Balflex Forza Due - SAE 100R2AT/DIN EN 853 2SN

Balflex Balpac Premium - SAE 100R16/ DIN EN 853 2SC. Balpac 3000 - SAE 100R17/ DIN EN 853 1SC

Balflex textile braid hydraulic hose - SAE 100R3, SAE 100R6, DIN EN 854 1TE / 2TE / 3TE

Balflex thermoplastic hydraulic hoses - SAE100R7, SAE100R8 / DIN EN 855

Balflex PTFE stainless braid - 100R14

Balflex 2-MAX JACK / 3 MAX JACK

Balflex Balmaster - SAE 100R12 / DIN EN 856 4SP - on 1 1/4", 1 1/2" & 2"

part number	hose dash	hose Ø	thread	thread dash	C Cut Off	Hex.
		inch				
23-0302-MP	- 3	3/16"	1/8" - 27	- 2	22	12
23-0304-MP	- 3	3/16"	1/4" - 18	- 4	28	17
23-0402-MP	- 4	1/4"	1/8" - 27	- 2	23	12
23-0404-MP	- 4	1/4"	1/4" - 18	- 4	28	17
23-0406-MP	- 4	1/4"	3/8" - 18	- 6	28	19
23-0504-MP	- 5	5/16"	1/4" - 18	- 4	28	17
23-0506-MP	- 5	5/16"	3/8" - 18	- 6	28	19
23-0508-MP	- 5	5/16"	1/2" - 14	- 8	34	22
23-0604-MP	- 6	3/8"	1/4" - 18	- 4	28	17
23-0606-MP	- 6	3/8"	3/8" - 18	- 6	30	19
23-0608-MP	- 6	3/8"	1/2" - 14	- 8	35	22
23-0806-MP	- 8	1/2"	3/8" - 18	- 6	31	19
23-0808-MP	- 8	1/2"	1/2" - 14	- 8	35	22
23-0812-MP	- 8	1/2"	3/4" - 14	- 12	38	27
23-1012-MP	- 10	5/8"	3/4" - 14	- 12	38	27
23-1212-MP	- 12	3/4"	3/4" - 14	- 12	39	27
23-1216-MP	- 12	3/4"	1" - 11.1/2	- 16	44	36
23-1616-MP	- 16	1"	1" - 11.1/2	- 16	45	36
23-1620-MP	- 16	1"	1.1/4" - 11.1/2	- 20	50	46
23-2020-MP	- 20	1.1/4"	1.1/4" - 11.1/2	- 20	49	46
23-2424-MP	- 24	1.1/2"	1.1/2" - 11.1/2	- 24	51	50
23-3232-MP	- 32	2"	2" - 11.1/2	- 32	55	65

also available:

### Balfit<sup>®</sup> Stainless Steel NPT Male

(add an 'S' at the end of the part number; ex: 23.0400.0808 S)

#### Construction characteristics and dimensions may be changed at anytime without prior notice

The data contained herein is for information purposes only and does not enlarge, amend or imply any warranty other than provided by the manufacturer with the product.

Any use of the product not in conformance with the manufacturer's instruction may be dangerous

Only items in this catalog are carried in stock. Some items are subject to minimum quantities or sold in multiples of standard quantities. Please refer to the price list or contact our commercial department. Prices subject to change without notice.

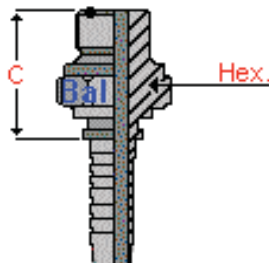
# Balfit<sup>®</sup> 23 Series - ORFS Male Two Piece - Non Skive - Stems



BALFLEX - THE BEST NAME YOU CAN GET IN HOSE

## Balfit<sup>®</sup> ORFS Male - 23.4000

carbon steel, ORFS, O'ring face seal male fitting for crimping on high pressure hydraulic hoses



According to **ISO 12151-1** and **ISO 8434-3** According to **SAE J 1453**

**Material:** Carbon Steel, Trivalent Zink Plated - Rohs Compliant

**Ferrules:** Balfit Ferrule Series - 20.100, 20.101, 20.107, 20.200, 20.201, 20.202, 20.301, 20.302, 20.305

**Hoses:** Balflex Balflex Forza Uno - SAE 100R1AT/DIN EN 853 2SN

Balflex Forza Due - SAE 100R2AT/DIN EN 853 2SN

Balflex Balpac Premium - SAE 100R16/ DIN EN 853 2SC. Balpac 3000 - SAE 100R17/ DIN EN 853 1SC

Balflex textile braid hydraulic hose - SAE 100R3, SAE 100R6, DIN EN 854 1TE / 2TE / 3TE

Balflex thermoplastic hydraulic hoses - SAE100R7, SAE100R8 / DIN EN 855

Balflex PTFE stainless braid - 100R14

Balflex 2-MAX JACK / 3 MAX JACK

Balflex Balmaster - SAE 100R12 / DIN EN 856 4SP - on 1 1/4", 1 1/2" & 2"

part number	hose dash	hose	thread	thread dash	C	Hex.
		Ø				
		inch			mm	mm
23-0404-OFT	- 4	1/4"	9/16" - 18	- 4	23	17
23-0406-OFT	- 4	1/4"	11/16" - 16	- 6	21	19
23-0506-OFT	- 5	5/16"	11/16" - 16	- 6	26	19
23-0606-OFT	- 6	3/8"	11/16" - 16	- 6	26	19
23-0608-OFT	- 6	3/8"	13/16" - 16	- 8	29	22
23-0808-OFT	- 8	1/2"	13/16" - 16	- 8	29	22
23-0810-OFT	- 8	1/2"	1" - 14	- 10	34	27
23-1010-OFT	- 10	5/8"	1" - 14	- 10	33	27
23-1012-OFT	- 10	5/8"	1.3/16" - 14	- 12	35	32
23-1212-OFT	- 12	3/4"	1.3/16" - 14	- 12	36	32
23-1616-OFT	- 16	1"	1.7/16" - 12	- 16	37	38
23-2020-OFT	- 20	1.1/4"	1.11/16" - 12	- 20	38	46

also available:

### Balfit<sup>®</sup> Stainless Steel ORFS Male

(add an 'S' at the end of the part number; ex: 23.4000.0404 S)

#### Construction characteristics and dimensions may be changed at anytime without prior notice

The data contained herein is for information purposes only and does not enlarge, amend or imply any warranty other than provided by the manufacturer with the product.

Any use of the product not in conformance with the manufacturer's instruction may be dangerous

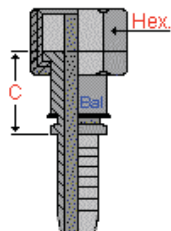
Only items in this catalog are carried in stock. Some items are subject to minimum quantities or sold in multiples of standard quantities. Please refer to the price list or contact our commercial department. Prices subject to change without notice.



# Balfit® 23 Series - ORFS Female Swivel Two Piece - Non Skive - Stems

## Balfit® ORFS Swivel Female - 23.4414

carbon steel, ORFS, O'ring face seal female fitting for crimping on high pressure hydraulic hoses



According to **ISO 12151-1** and **ISO 8434-3** According to **SAE J 1453**  
(see option 23.44H4. - for back hexagon)

**Material:** Carbon Steel, Trivalent Zink Plated - Rohs Compliant

**Ferrules:** Balfit Ferrule Series - 20.100, 20.101, 20.107, 20.200, 20.201, 20.202, 20.301, 20.302, 20.305

**Hoses:** Balflex Balflex Forza Uno - SAE 100R1AT/DIN EN 853 2SN

Balflex Forza Due - SAE 100R2AT/DIN EN 853 2SN

Balflex Balpac Premium - SAE 100R16/ DIN EN 853 2SC. Balpac 3000 - SAE 100R17/ DIN EN 853 1SC

Balflex textile braid hydraulic hose - SAE 100R3, SAE 100R6, DIN EN 854 1TE / 2TE / 3TE

Balflex thermoplastic hydraulic hoses - SAE100R7, SAE100R8 / DIN EN 855

Balflex PTFE stainless braid - 100R14

Balflex 2-MAX JACK / 3 MAX JACK

Balflex Balmaster - SAE 100R12 / DIN EN 856 4SP - on 1 1/4", 1 1/2" & 2"

part number	hose dash	hose Ø	thread	thread dash	C Cut Off	Hex.
		inch				
23-0404-OFTNH	- 4	1/4"	9/16" - 18	- 4	20	19
23-0406-OFTNH	- 4	1/4"	11/16" - 16	- 6	23	22
23-0506-OFTNH	- 5	5/16"	11/16" - 16	- 6	24	22
23-0606-OFTNH	- 6	3/8"	11/16" - 16	- 6	18	22
23-0608-OFTNH	- 6	3/8"	13/16" - 16	- 8	25	27
23-0808-OFTNH	- 8	1/2"	13/16" - 16	- 8	26	27
23-0810-OFTNH	- 8	1/2"	1" - 14	- 10	30	30
23-0812-OFTNH	- 8	1/2"	1.3/16" - 14	- 12	27	36
23-1010-OFTNH	- 10	5/8"	1" - 14	- 10	30	30
23-1012-OFTNH	- 10	5/8"	1.3/16" - 14	- 12	31	36
23-1210-OFTNH	- 12	3/4"	1" - 14	- 10	34	30
23-1212-OFTNH	- 12	3/4"	1.3/16" - 14	- 12	31	36
23-1216-OFTNH	- 12	3/4"	1.7/16" - 12	- 16	33	41
23-1616-OFTNH	- 16	1"	1.7/16" - 12	- 16	35	41
23-2020-OFTNH	- 20	1.1/4"	1.11/16" - 12	- 20	40	50
23-2424-OFTNH	- 24	1.1/2"	2" - 12	- 24	41	60

also available:

### Balfit® Stainless Steel ORFS Female

(add an 'S' at the end of the part number; ex: 23.4414.0606 S)

#### Construction characteristics and dimensions may be changed at anytime without prior notice

The data contained herein is for information purposes only and does not enlarge, amend or imply any warranty other than provided by the manufacturer with the product.

Any use of the product not in conformance with the manufacturer's instruction may be dangerous

Only items in this catalog are carried in stock. Some items are subject to minimum quantities or sold in multiples of standard quantities. Please refer to the price list or contact our commercial department. Prices subject to change without notice.

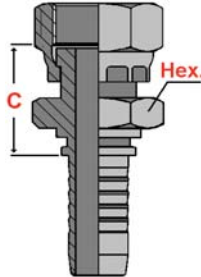
# Balfit® 23 Series - ORFS Female Swivel with Back Hex Two Piece - Non Skive - Stems



BALFLEX - THE BEST NAME YOU CAN GET IN HOSE

## Balfit® ORFS Swivel Female with Back Hexagon - 23.44H4

carbon steel, ORFS, O'ring face seal female fitting for crimping on high pressure hydraulic hoses



According to **ISO 12151-1** and **ISO 8434-3** According to **SAE J 1453**

**Material:** Carbon Steel, Trivalent Zink Plated - Rohs Compliant

**Ferrules:** Balfit Ferrule Series - 20.100, 20.101, 20.107, 20.200, 20.201, 20.202, 20.301, 20.302, 20.305

**Hoses:** Balflex Balflex Forza Uno - SAE 100R1AT/DIN EN 853 2SN

Balflex Forza Due - SAE 100R2AT/DIN EN 853 2SN

Balflex Balpac Premium - SAE 100R16/ DIN EN 853 2SC. Balpac 3000 - SAE 100R17/ DIN EN 853 1SC

Balflex textile braid hydraulic hose - SAE 100R3, SAE 100R6, DIN EN 854 1TE / 2TE / 3TE

Balflex thermoplastic hydraulic hoses - SAE100R7, SAE100R8 / DIN EN 855

Balflex PTFE stainless braid - 100R14

Balflex 2-MAX JACK / 3 MAX JACK

Balflex Balmaster - SAE 100R12 / DIN EN 856 4SP - on 1 1/4", 1 1/2" & 2"

part number	hose dash	hose Ø	thread	thread dash	C Cut Off	Hex.
		inch				
23-0404-OFT	- 4	1/4"	9/16" - 18	- 4	27	19
23-0406-OFT	- 4	1/4"	11/16" - 16	- 6	31	22
23-0606-OFT	- 6	3/8"	11/16" - 16	- 6	31	22
23-0608-OFT	- 6	3/8"	13/16" - 16	- 8	36	27
23-0808-OFT	- 8	1/2"	13/16" - 16	- 8	37	27
23-0810-OFT	- 8	1/2"	1" - 14	- 10	41	30
23-1010-OFT	- 10	5/8"	1" - 14	- 10	42	30
23-1212-OFT	- 12	3/4"	1.3/16" - 14	- 12	43	36
23-1616-OFT	- 16	1"	1.7/16" - 12	- 16	35	41

also available:

### Balfit® Stainless Steel ORFS Female with Back Hexagon

(add an 'S' at the end of the part number; ex: 23.44H4.0606 S)

#### Construction characteristics and dimensions may be changed at anytime without prior notice

The data contained herein is for information purposes only and does not enlarge, amend or imply any warranty other than provided by the manufacturer with the product.

Any use of the product not in conformance with the manufacturer's instruction may be dangerous

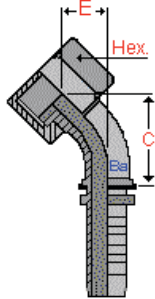
Only items in this catalog are carried in stock. Some items are subject to minimum quantities or sold in multiples of standard quantities. Please refer to the price list or contact our commercial department. Prices subject to change without notice.



# Balfit<sup>®</sup> 23 Series - ORFS 45° Female Swivel Two Piece - Non Skive - Stems

## Balfit<sup>®</sup> ORFS 45° Swept Swivel Female - 23.4444

*solid-piece, carbon steel, ORFS, O'ring face seal fitting 45 swept swivel female for crimping on high pressure hydraulic hoses*



According to **ISO 12151-1** and **ISO 8434-3** According to **SAE J 1453**

**Material:** Carbon Steel, Trivalent Zink Plated - Rohs Compliant

**Ferrules:** Balfit Ferrule Series - 20.100, 20.101, 20.107, 20.200, 20.201, 20.202, 20.301, 20.302, 20.305

**Hoses:** Balflex Balflex Forza Uno - SAE 100R1AT/DIN EN 853 2SN

Balflex Forza Due - SAE 100R2AT/DIN EN 853 2SN

Balflex Balpac Premium - SAE 100R16/ DIN EN 853 2SC. Balpac 3000 - SAE 100R17/ DIN EN 853 1SC

Balflex textile braid hydraulic hose - SAE 100R3, SAE 100R6, DIN EN 854 1TE / 2TE / 3TE

Balflex thermoplastic hydraulic hoses - SAE100R7, SAE100R8 / DIN EN 855

Balflex PTFE stainless braid - 100R14

Balflex 2-MAX JACK / 3 MAX JACK

Balflex Balmaster - SAE 100R12 / DIN EN 856 4SP - on 1 1/4", 1 1/2" & 2"

part number	hose dash	hose	thread	thread dash	C	E	Hex.
		∅			Cut Off		
		inch			mm	mm	mm
23-0404-OF45	- 4	1/4"	9/16" - 18	- 4	40	14	19
23-0406-OF45	- 4	1/4"	11/16" - 16	- 6	40	15	22
23-0506-OF45	- 5	5/16"	11/16" - 16	- 6	44	14	22
23-0606-OF45	- 6	3/8"	11/16" - 16	- 6	52	17	22
23-0608-OF45	- 6	3/8"	13/16" - 16	- 8	51	18	27
23-0808-OF45	- 8	1/2"	13/16" - 16	- 8	60	23	27
23-0810-OF45	- 8	1/2"	1" - 14	- 10	66	23	30
23-1010-OF45	- 10	5/8"	1" - 14	- 10	71	26	30
23-1212-OF45	- 12	3/4"	1.3/16" - 14	- 12	83	27	36
23-1616-OF45	- 16	1"	1.7/16" - 12	- 16	100	30	41
23-2020-OF45	- 20	1.1/4"	1.11/16" - 12	- 20	125	44	50
23-2424-OF45	- 24	1.1/2"	2" - 12	- 24	96	36.5	60

also available:

### Balfit<sup>®</sup> Stainless Steel ORFS 45° Swept Swivel Female

(add an 'S' at the end of the part number; ex: 23.4444.1010 S)

#### Construction characteristics and dimensions may be changed at anytime without prior notice

The data contained herein is for information purposes only and does not enlarge, amend or imply any warranty other than provided by the manufacturer with the product.

Any use of the product not in conformance with the manufacturer's instruction may be dangerous

Only items in this catalog are carried in stock. Some items are subject to minimum quantities or sold in multiples of standard quantities. Please refer to the price list or contact our commercial department. Prices subject to change without notice.

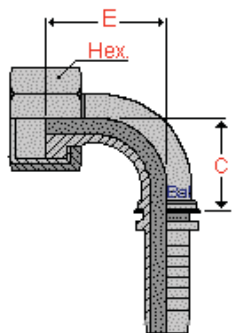
# Balfit® 23 Series - ORFS 90° Female Swivel Two Piece - Non Skive - Stems



BALFLEX - THE BEST NAME YOU CAN GET IN HOSE

## Balfit® ORFS 90° Swept Swivel Female - 23.4494

**solid-piece**, carbon steel, ORFS, O'ring face seal fitting 90 swept swivel female for crimping on high pressure hydraulic hoses



According to **ISO 12151-1** and **ISO 8434-3** According to **SAE J 1453**

**Material:** Carbon Steel, Trivalent Zink Plated - Rohs Compliant

**Ferrules:** Balfit Ferrule Series - 20.100, 20.101, 20.107, 20.200, 20.201, 20.202, 20.301, 20.302, 20.305

**Hoses:** Balflex Balpac Forza Uno - SAE 100R1AT/DIN EN 853 2SN

Balflex Forza Due - SAE 100R2AT/DIN EN 853 2SN

Balflex Balpac Premium - SAE 100R16/ DIN EN 853 2SC. Balpac 3000 - SAE 100R17/ DIN EN 853 1SC

Balflex textile braid hydraulic hose - SAE 100R3, SAE 100R6, DIN EN 854 1TE / 2TE / 3TE

Balflex thermoplastic hydraulic hoses - SAE100R7, SAE100R8 / DIN EN 855

Balflex PTFE stainless braid - 100R14

Balflex 2-MAX JACK / 3 MAX JACK

Balflex Balmaster - SAE 100R12 / DIN EN 856 4SP - on 1 1/4", 1 1/2" & 2"

part number	hose dash	hose Ø	thread	thread dash	C Cut Off	E	Hex.
		inch			mm		
23-0404-OF90	- 4	1/4"	9/16" - 18	- 4	27	26	19
23-0406-OF90	- 4	1/4"	11/16" - 16	- 6	34	23	22
23-0506-OF90	- 5	5/16"	11/16" - 16	- 6	32	29	22
23-0606-OF90	- 6	3/8"	11/16" - 16	- 6	36	32	22
23-0608-OF90	- 6	3/8"	13/16" - 16	- 8	37	32	27
23-0808-OF90	- 8	1/2"	13/16" - 16	- 8	41	40	27
23-0810-OF90	- 8	1/2"	1" - 14	- 10	39	40	30
23-1010-OF90	- 10	5/8"	1" - 14	- 10	47	45	30
23-1012-OF90	- 10	5/8"	1.3/16" - 14	- 12	57	49	36
23-1212-OF90	- 12	3/4"	1.3/16" - 14	- 12	57	51	36
23-1616-OF90	- 16	1"	1.7/16" - 12	- 16	72	62	41
23-2020-OF90	- 20	1.1/4"	1.11/16" - 12	- 20	83	73	50
23-2424-OF90	- 24	1.1/2"	2" - 12	- 24	92	84	60

also available:

### Balfit® Stainless Steel ORFS 90° Swept Swivel Female

(add an 'S' at the end of the part number; ex: 23.4494.1010 S)

#### Construction characteristics and dimensions may be changed at anytime without prior notice

The data contained herein is for information purposes only and does not enlarge, amend or imply any warranty other than provided by the manufacturer with the product.

Any use of the product not in conformance with the manufacturer's instruction may be dangerous

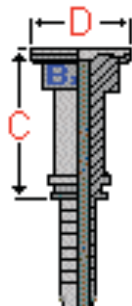
Only items in this catalog are carried in stock. Some items are subject to minimum quantities or sold in multiples of standard quantities. Please refer to the price list or contact our commercial department. Prices subject to change without notice.



# Balfit<sup>®</sup> 23 Series - Code 61 Flange Two Piece - Non Skive - Stems

## Balfit<sup>®</sup> Straight SAE 3000 PSI (Code 61) Flange - 23.7013

*solid-piece, carbon steel light (code 61) flanged fitting for crimping on high pressure hydraulic hoses*



According to **ISO 6162** and **ISO 12151-3** According to **SAE J516** and **SAE J518**

**Material:** Carbon Steel, Trivalent Zink Plated - Rohs Compliant

**Ferrules:** Balfit Ferrule Series - 20.100, 20.101, 20.107, 20.200, 20.201, 20.202, 20.301, 20.302, 20.305

**Hoses:** Balflex Balflex Forza Uno - SAE 100R1AT/DIN EN 853 2SN

Balflex Forza Due - SAE 100R2AT/DIN EN 853 2SN

Balflex Balpac Premium - SAE 100R16/ DIN EN 853 2SC. Balpac 3000 - SAE 100R17/ DIN EN 853 1SC

Balflex textile braid hydraulic hose - SAE 100R3, SAE 100R6, DIN EN 854 1TE / 2TE / 3TE

Balflex thermoplastic hydraulic hoses - SAE100R7, SAE100R8 / DIN EN 855

Balflex PTFE stainless braid - 100R14

Balflex 2-MAX JACK / 3 MAX JACK

Balflex Balmaster - SAE 100R12 / DIN EN 856 4SP - on 1 1/4", 1 1/2" & 2"

part number	hose dash	hose	Flange size	flange dash	D	C
		Ø			Ø Flange	
		inch	inch		mm	mm
23-0808-PA	- 8	1/2"	1/2"	- 8	30,2	46
23-0812-PA	- 8	1/2"	3/4"	- 12	38,1	47
23-1010-PA (a)	- 10	5/8"	5/8"	- 10	34,0	50
23-1012-PA	- 10	5/8"	3/4"	- 12	38,1	50
23-1212-PA	- 12	3/4"	3/4"	- 12	38,1	48
23-1216-PA	- 12	3/4"	1"	- 16	44,5	51
23-1616-PA	- 16	1"	1"	- 16	44,5	52
23-1620-PA	- 16	1"	1.1/4"	- 20	50,8	57
23-2020-PA	- 20	1.1/4"	1.1/4"	- 20	50,8	58
23-2024-PA	- 20	1.1/4"	1.1/2"	- 24	60,3	68
23-2424-PA	- 24	1.1/2"	1.1/2"	- 24	60,3	68
23-2432-PA	- 24	1.1/2"	2"	- 32	71,4	71
23-3232-PA	- 32	2"	2"	- 32	71,4	71

(a) Japanese flange, size according to **JIS** standards; not included in **SAE J518**

also available:

### Balfit<sup>®</sup> Stainless Steel Straight SAE 3000 PSI (code 61) Flange

(add an 'S' at the end of the part number; ex: 23.7013.1212 S)

#### Construction characteristics and dimensions may be changed at anytime without prior notice

The data contained herein is for information purposes only and does not enlarge, amend or imply any warranty other than provided by the manufacturer with the product.

Any use of the product not in conformance with the manufacturer's instruction may be dangerous

Only items in this catalog are carried in stock. Some items are subject to minimum quantities or sold in multiples of standard quantities. Please refer to the price list or contact our commercial department. Prices subject to change without notice.

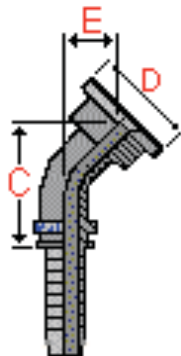
# Balfit® 23 Series - Code 61 - 45° Flange Two Piece - Non Skive - Stems



BALFLEX - THE BEST NAME YOU CAN GET IN HOSE

## Balfit® 45° Swept SAE 3000 PSI (Code 61) Flange - 23.7043

*solid-piece, carbon steel light (code 61) 45 swept flanged fitting for crimping on high pressure hydraulic hoses*



According to **ISO 6162** and **ISO 12151-3** According to **SAE J516** and **SAE J518**

**Material:** Carbon Steel, Trivalent Zink Plated - RoHS Compliant

**Ferrules:** Balfit Ferrule Series - 20.100, 20.101, 20.107, 20.200, 20.201, 20.202, 20.301, 20.302, 20.305

**Hoses:** Balflex Balflex Forza Uno - SAE 100R1AT/DIN EN 853 2SN

Balflex Forza Due - SAE 100R2AT/DIN EN 853 2SN

Balflex Balpac Premium - SAE 100R16/ DIN EN 853 2SC. Balpac 3000 - SAE 100R17/ DIN EN 853 1SC

Balflex textile braid hydraulic hose - SAE 100R3, SAE 100R6, DIN EN 854 1TE / 2TE / 3TE

Balflex thermoplastic hydraulic hoses - SAE100R7, SAE100R8 / DIN EN 855

Balflex PTFE stainless braid - 100R14

Balflex 2-MAX JACK / 3 MAX JACK

Balflex Balmaster - SAE 100R12 / DIN EN 856 4SP - on 1 1/4", 1 1/2" & 2"

part number	hose dash	hose	Flange size	flange	D	C	E
		∅		dash	∅ Flange	Cut Off	
		inch	inch		mm	mm	mm
23-0808-PA45	- 8	1/2"	1/2"	- 8	30,2	62	22
23-0812-PA45	- 8	1/2"	3/4"	- 12	38,1	68	25
23-1010-PA45 (a)	- 10	5/8"	5/8"	- 10	34,0	68	24
23-1012-PA45	- 10	5/8"	3/4"	- 12	38,1	68	24
23-1212-PA45	- 12	3/4"	3/4"	- 12	38,1	68	24
23-1216-PA45	- 12	3/4"	1"	- 16	44,5	88	30
23-1616-PA45	- 16	1"	1"	- 16	44,5	104	33
23-1620-PA45	- 16	1"	1.1/4"	- 20	50,8	108	37
23-2020-PA45	- 20	1.1/4"	1.1/4"	- 20	50,8	125	38
23-2024-PA45	- 20	1.1/4"	1.1/2"	- 24	60,3	129	39
23-2424-PA45	- 24	1.1/2"	1.1/2"	- 24	60,3	146	50
23-2432-PA45	- 24	1.1/2"	2"	- 32	71,4	176	58
23-3232-PA45	- 32	2"	2"	- 32	71,4	176	58

(a) Japanese flange, size according to **JIS** standards; not included in **SAE J518**

also available:

### Balfit® Stainless Steel 45 Swept SAE 3000 PSI (code 61) Flange

(add an 'S' at the end of the part number; ex: 23.7043.1212 S)

#### Construction characteristics and dimensions may be changed at anytime without prior notice

The data contained herein is for information purposes only and does not enlarge, amend or imply any warranty other than provided by the manufacturer with the product.

Any use of the product not in conformance with the manufacturer's instruction may be dangerous

Only items in this catalog are carried in stock. Some items are subject to minimum quantities or sold in multiples of standard quantities. Please refer to the price list or contact our commercial department. Prices subject to change without notice.

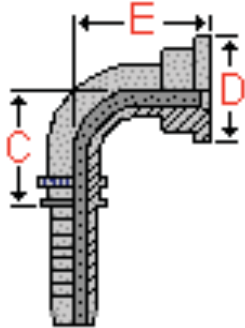




# Balfit® 23 Series - Code 61 - 90° Flange Two Piece - Non Skive - Stems

## Balfit® 90° Swept SAE 3000 PSI (Code 61) Flange - 23.7093

*solid-piece, carbon steel light (code 61) 90 swept flanged fitting for crimping on high pressure hydraulic hoses*



According to **ISO 6162** and **ISO 12151-3** According to **SAE J516** and **SAE J518**

**Material:** Carbon Steel, Trivalent Zinc Plated - Rohs Compliant

**Ferrules:** Balfit Ferrule Series - 20.100, 20.101, 20.107, 20.201, 20.202, 20.301, 20.302, 20.305

**Hoses:** Balflex Balflex Forza Uno - SAE 100R1AT/DIN EN 853 2SN

Balflex Forza Due - SAE 100R2AT/DIN EN 853 2SN

Balflex Balpac Premium - SAE 100R16/ DIN EN 853 2SC. Balpac 3000 - SAE 100R17/ DIN EN 853 1SC

Balflex textile braid hydraulic hose - SAE 100R3, SAE 100R6, DIN EN 854 1TE / 2TE / 3TE

Balflex thermoplastic hydraulic hoses - SAE100R7, SAE100R8 / DIN EN 855

Balflex PTFE stainless braid - 100R14

Balflex 2-MAX JACK / 3 MAX JACK

Balflex Balmaster - SAE 100R12 / DIN EN 856 4SP - on 1 1/4", 1 1/2" & 2"

part number	hose dash	hose Ø	Flange size	flange dash	D Ø Flange	C Cut Off	E
		inch	inch		mm	mm	mm
23-0808-PA90	- 8	1/2"	1/2"	- 8	30,2	39	39
23-0812-PA90	- 8	1/2"	3/4"	- 12	38,1	39	44
23-1010-PA90 (a)	- 10	5/8"	5/8"	- 10	34,0	53	52
23-1012-PA90	- 10	5/8"	3/4"	- 12	38,1	53	53
23-1212-PA90	- 12	3/4"	3/4"	- 12	38,1	56	53
23-1216-PA90	- 12	3/4"	1"	- 16	44,5	58	58
23-1616-PA90	- 16	1"	1"	- 16	44,5	70	65
23-1620-PA90	- 16	1"	1.1/4"	- 20	50,8	70	70
23-2020-PA90	- 20	1.1/4"	1.1/4"	- 20	50,8	85	81
23-2024-PA90	- 20	1.1/4"	1.1/2"	- 24	60,3	85	85
23-2424-PA90	- 24	1.1/2"	1.1/2"	- 24	60,3	99	92
23-2432-PA90	- 24	1.1/2"	2"	- 32	71,4	99	92
23-3232-PA90	- 32	2"	2"	- 32	71,4	123	121

(a) Japanese flange, size according to **JIS** standards; not included in **SAE J518**

also available:

### Balfit® Stainless Steel 90° Swept SAE 3000 PSI (code 61) Flange

(add an 'S' at the end of the part number; ex: 23.7093.1212 S)

#### Construction characteristics and dimensions may be changed at anytime without prior notice

The data contained herein is for information purposes only and does not enlarge, amend or imply any warranty other than provided by the manufacturer with the product.

Any use of the product not in conformance with the manufacturer's instruction may be dangerous

Only items in this catalog are carried in stock. Some items are subject to minimum quantities or sold in multiples of standard quantities. Please refer to the price list or contact our commercial department. Prices subject to change without notice.

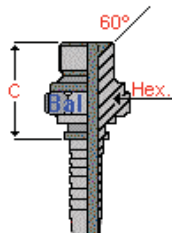
# Balfit® 23 Series - BSP Male Two Piece - Non Skive - Stems



BALFLEX - THE BEST NAME YOU CAN GET IN HOSE

## Balfit® BSP Male - 23.0100

carbon steel, BSP (British thread 60° cone) male fitting for crimping on high pressure hydraulic hoses



According to **ISO WD 12151-6.2** and **ISO WD 8434-6.2** According to **BS 5200**

**Material:** Carbon Steel, Trivalent Zink Plated - Rohs Compliant

**Ferrules:** Balfit Ferrule Series - 20.100, 20.101, 20.107, 20.200, 20.201, 20.202, 20.301, 20.302, 20.305

**Hoses:** Balflex Balflex Forza Uno - SAE 100R1AT/DIN EN 853 2SN

Balflex Forza Due - SAE 100R2AT/DIN EN 853 2SN

Balflex Balpac Premium - SAE 100R16/ DIN EN 853 2SC. Balpac 3000 - SAE 100R17/ DIN EN 853 1SC

Balflex textile braid hydraulic hose - SAE 100R3, SAE 100R6, DIN EN 854 1TE / 2TE / 3TE

Balflex thermoplastic hydraulic hoses - SAE100R7, SAE100R8 / DIN EN 855

Balflex PTFE stainless braid - 100R14

Balflex 2-MAX JACK / 3 MAX JACK

Balflex Balmaster - SAE 100R12 / DIN EN 856 4SP - on 1 1/4", 1 1/2" & 2"

part number	hose dash	hose Ø	thread	thread dash	C Cut Off	Hex. mm
		inch				
23-0302-BSPM	- 3	3/16"	1/8" - 28	- 2	23	14
23-0304-BSPM	- 3	3/16"	1/4" - 19	- 4	22	19
23-0402-BSPM	- 4	1/4"	1/8" - 28	- 2	20	14
23-0404-BSPM	- 4	1/4"	1/4" - 19	- 4	22	19
23-0406-BSPM	- 4	1/4"	3/8" - 19	- 6	28	22
23-0408-BSPM	- 4	1/4"	1/2" - 14	- 8	31	27
23-0506-BSPM	- 5	5/16"	3/8" - 19	- 6	26	22
23-0508-BSPM	- 5	5/16"	1/2" - 14	- 8	29	27
23-0604-BSPM	- 6	3/8"	1/4" - 19	- 4	23	19
23-0606-BSPM	- 6	3/8"	3/8" - 19	- 6	26	22
23-0608-BSPM	- 6	3/8"	1/2" - 14	- 8	29	27
23-0806-BSPM	- 8	1/2"	3/8" - 19	- 6	27	22
23-0808-BSPM	- 8	1/2"	1/2" - 14	- 8	29	27
23-0810-BSPM	- 8	1/2"	5/8" - 14	- 10	31	30
23-0812-BSPM	- 8	1/2"	3/4" - 14	- 12	33	32
23-1010-BSPM	- 10	5/8"	5/8" - 14	- 10	32	30
23-1012-BSPM	- 10	5/8"	3/4" - 14	- 12	34	32
23-1212-BSPM	- 12	3/4"	3/4" - 14	- 12	34	32
23-1216-BSPM	- 12	3/4"	1" - 11	- 16	38	41
23-1616-BSPM	- 16	1"	1" - 11	- 16	39	41
23-1620-BSPM	- 16	1"	1.1/4" - 11	- 20	44	46
23-2020-BSPM	- 20	1.1/4"	1.1/4" - 11	- 20	45	46
23-2024-BSPM	- 20	1.1/4"	1.1/2" - 11	- 24	45	55
23-2424-BSPM	- 24	1.1/2"	1.1/2" - 11	- 24	45	55
23-2432-BSPM	- 24	1.1/2"	2" - 11	- 32	52	70
23-3232-BSPM	- 32	2"	2" - 11	- 32	52	70

also available:

### Balfit® Stainless Steel BSP Male

**Construction characteristics and dimensions may be changed at anytime without prior notice**

The data contained herein is for information purposes only and does not enlarge, amend or imply any warranty other than provided by the manufacturer with the product.

Any use of the product not in conformance with the manufacturer's instruction may be dangerous

Only items in this catalog are carried in stock. Some items are subject to minimum quantities or sold in multiples of standard quantities. Please refer to the price list or contact our commercial department. Prices subject to change without notice.

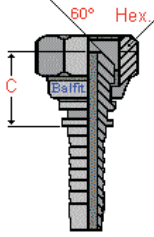


# Balfit<sup>®</sup> 23 Series - BSP Female Swivel Two Piece - Non Skive - Stems

BALFLEX - THE BEST NAME YOU CAN GET IN HOSE

## Balfit<sup>®</sup> BSP Swivel Female - 23.3012

carbon steel, BSP (British thread 60° cone) female fitting for crimping on high pressure hydraulic hoses



According to **ISO WD 12151-6.2** and **ISO WD 8434-6.2** According to **BS 5200**

- Material :** carbon steel, zinc plated
- Ferrules :** Balfit<sup>®</sup> ferrules series 20.100, 20.200, 20.101, 20.201, 20.202, 20.204, 20.205 and 20.107
- Hoses :** Balflex<sup>®</sup> wire braid hydraulic hoses **SAE 100R1A / SAE 100R2A / DIN EN 853 1ST / 2ST**
- Balflex<sup>®</sup> wire braid hydraulic hoses** **SAE 100R1AT / SAE 100R2AT / DIN EN 853 1SN / 2SN**
- Balflex<sup>®</sup> thermoplastic hydraulic hoses** **SAE 100R7 / SAE 100R8 / DIN EN 855**
- Balflex<sup>®</sup> Balpac compact hydraulic hoses** **SAE 100R16 / SAE 100R17 / DIN EN 857 1SC / 2SC**
- Balflex<sup>®</sup> textile braid hydraulic hoses** **SAE 100R6 / SAE 100R3 / DIN EN 854 1TE / 2TE / 3TE**
- Balflex<sup>®</sup> Balwash Hoses**
- Balflex<sup>®</sup> 2 – MAX JACK / 3 – MAX**
- Balflex<sup>®</sup> SAE 100R12 / DIN EN 856 4SP on 1.1/4", 1.1/2" and 2"**

part number	hose dash	hose	thread	thread dash	C	Hex.
		Ø				
		inch			mm	mm
23-0302-BSPXF	- 3	3/16"	1/8" - 28	- 2	15	14
23-0304-BSPXF	- 3	3/16"	1/4" - 19	- 4	17	19
23-0402-BSPXF	- 4	1/4"	1/8" - 28	- 2	16	14
23-0404-BSPXF	- 4	1/4"	1/4" - 19	- 4	17	19
23-0406-BSPXF	- 4	1/4"	3/8" - 19	- 6	19	22
23-0408-BSPXF	- 4	1/4"	1/2" - 14	- 8	20	27
23-0506-BSPXF	- 5	5/16"	3/8" - 19	- 6	20	22
23-0604-BSPXF	- 6	3/8"	1/4" - 19	- 4	19	19
23-0606-BSPXF	- 6	3/8"	3/8" - 19	- 6	20	22
23-0608-BSPXF	- 6	3/8"	1/2" - 14	- 8	21	27
23-0806-BSPXF	- 8	1/2"	3/8" - 19	- 6	20	22
23-0808-BSPXF	- 8	1/2"	1/2" - 14	- 8	22	27
23-0810-BSPXF	- 8	1/2"	5/8" - 14	- 10	22	30
23-0812-BSPXF	- 8	1/2"	3/4" - 14	- 12	23	32
23-1010-BSPXF	- 10	5/8"	5/8" - 14	- 10	23	30
23-1012-BSPXF	- 10	5/8"	3/4" - 14	- 12	24	32
23-1212-BSPXF	- 12	3/4"	3/4" - 14	- 12	24	32
23-1216-BSPXF	- 12	3/4"	1" - 11	- 16	24	41
23-1616-BSPXF	- 16	1"	1" - 11	- 16	27	41
23-1620-BSPXF	- 16	1"	1.1/4" - 11	- 20	29	50
23-2020-BSPXF	- 20	1.1/4"	1.1/4" - 11	- 20	31	50
23-2424-BSPXF	- 24	1.1/2"	1.1/2" - 11	- 24	32	55
23-3232-BSPXF	- 32	2"	2" - 11	- 32	34	70

also available:

### Balfit<sup>®</sup> Stainless Steel BSP Female

(add an 'S' at the end of the part number; ex: 23.3012.12 S)

#### Construction characteristics and dimensions may be changed at anytime without prior notice

The data contained herein is for information purposes only and does not enlarge, amend or imply any warranty other than provided by the manufacturer with the product.

Any use of the product not in conformance with the manufacturer's instruction may be dangerous

Only items in this catalog are carried in stock. Some items are subject to minimum quantities or sold in multiples of standard quantities. Please refer to the price list or contact our commercial department. Prices subject to change without notice.

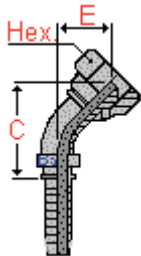
# Balfit® 23 Series - BSP 45° Female Swivel Two Piece - Non Skive - Stems



BALFLEX - THE BEST NAME YOU CAN GET IN HOSE

## Balfit® 45° Swept BSP Swivel Female - 23.3042

**solid-piece**, carbon steel, BSP (British thread 60° cone) 45 swept BSP female fitting for crimping on high pressure hydraulic hoses



According to **ISO WD 12151-6.2** and **ISO WD 8434-6.2** According to **BS 5200**

**Material:** Carbon Steel, Trivalent Zink Plated - Rohs Compliant

**Ferrules:** Balfit Ferrule Series - 20.100, 20.101, 20.107, 20.200, 20.201, 20.202, 20.301, 20.302, 20.305

**Hoses:** Balflex Balflex Forza Uno - SAE 100R1AT/DIN EN 853 2SN

Balflex Forza Due - SAE 100R2AT/DIN EN 853 2SN

Balflex Balpac Premium - SAE 100R16/ DIN EN 853 2SC. Balpac 3000 - SAE 100R17/ DIN EN 853 1SC

Balflex textile braid hydraulic hose - SAE 100R3, SAE 100R6, DIN EN 854 1TE / 2TE / 3TE

Balflex thermoplastic hydraulic hoses - SAE100R7, SAE100R8 / DIN EN 855

Balflex PTFE stainless braid - 100R14

Balflex 2-MAX JACK / 3 MAX JACK

Balflex Balmaster - SAE 100R12 / DIN EN 856 4SP - on 1 1/4", 1 1/2" & 2"

part number	hose dash	hose Ø	thread	thread dash	C Cut Off	E	Hex.
		inch			mm	mm	mm
23-0302-BSPXF45	- 3	3/16"	1/8" - 28	- 2	33	15	14
23-0304-BSPXF45	- 3	3/16"	1/4" - 19	- 4	35	15	19
23-0402-BSPXF45	- 4	1/4"	1/8" - 28	- 2	40	14	14
23-0404-BSPXF45	- 4	1/4"	1/4" - 19	- 4	41	15	19
23-0406-BSPXF45	- 4	1/4"	3/8" - 19	- 6	44	18	22
23-0506-BSPXF45	- 5	5/16"	3/8" - 19	- 6	49	20	22
23-0606-BSPXF45	- 6	3/8"	3/8" - 19	- 6	52	19	22
23-0608-BSPXF45	- 6	3/8"	1/2" - 14	- 8	55	21	27
23-0808-BSPXF45	- 8	1/2"	1/2" - 14	- 8	67	24	27
23-0810-BSPXF45	- 8	1/2"	5/8" - 14	- 10	68	25	30
23-0812-BSPXF45	- 8	1/2"	3/4" - 14	- 12	70	27	32
23-1010-BSPXF45	- 10	5/8"	5/8" - 14	- 10	68	23	30
23-1012-BSPXF45	- 10	5/8"	3/4" - 14	- 12	72	27	32
23-1212-BSPXF45	- 12	3/4"	3/4" - 14	- 12	86	30	32
23-1216-BSPXF45	- 12	3/4"	1" - 11	- 16	88	32	41
23-1616-BSPXF45	- 16	1"	1" - 11	- 16	107	35	41
23-2020-BSPXF45	- 20	1.1/4"	1.1/4" - 11	- 20	129	40	50
23-2424-BSPXF45	- 24	1.1/2"	1.1/2" - 11	- 24	221	47	55
23-3232-BSPXF45	- 32	2"	2" - 11	- 32	196	70	70

also available:

### Balfit® Stainless Steel 45° Swept Female BSP

(add an 'S' at the end of the part number; ex: 23.3042.0808 S)

#### Construction characteristics and dimensions may be changed at anytime without prior notice

The data contained herein is for information purposes only and does not enlarge, amend or imply any warranty other than provided by the manufacturer with the product.

Any use of the product not in conformance with the manufacturer's instruction may be dangerous

Only items in this catalog are carried in stock. Some items are subject to minimum quantities or sold in multiples of standard quantities. Please refer to the price list or contact our commercial department. Prices subject to change without notice.

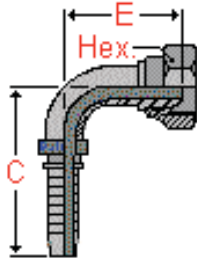


# Balfit<sup>®</sup> 23 Series - BSP 90° Female Swivel Two Piece - Non Skive - Stems

BALFLEX - THE BEST NAME YOU CAN GET IN HOSE

## Balfit<sup>®</sup> 90° Swept BSP Swivel Female - 23.3092

**solid-piece**, carbon steel, BSP (British thread 60° cone) 90 swept BSP female fitting for crimping on high pressure hydraulic hoses



According to **ISO WD 12151-6.2** and **ISO WD 8434-6.2** According to **BS 5200**

**Material:** Carbon Steel, Trivalent Zink Plated - Rohs Compliant

**Ferrules:** Balfit Ferrule Series - 20.100, 20.101, 20.107, 20.201, 20.202, 20.301, 20.302, 20.305

**Hoses:** Balflex Balpac Forza Uno - SAE 100R1AT/DIN EN 853 2SN

Balflex Forza Due - SAE 100R2AT/DIN EN 853 2SN

Balflex Balpac Premium - SAE 100R16/ DIN EN 853 2SC. Balpac 3000 - SAE 100R17/ DIN EN 853 1SC

Balflex textile braid hydraulic hose - SAE 100R3, SAE 100R6, DIN EN 854 1TE / 2TE / 3TE

Balflex thermoplastic hydraulic hoses - SAE100R7, SAE100R8 / DIN EN 855

Balflex PTFE stainless braid - 100R14

Balflex 2-MAX JACK / 3 MAX JACK

Balflex Balmaster - SAE 100R12 / DIN EN 856 4SP - on 1 1/4", 1 1/2" & 2"

part number	hose dash	hose Ø	thread	thread dash	C Cut Off	E	Hex.
		inch			mm	mm	mm
23-0302-BSPXF90	- 3	3/16"	1/8" - 28	- 2	22	23	14
23-0304-BSPXF90	- 3	3/16"	1/4" - 19	- 4	22	25	19
23-0402-BSPXF90	- 4	1/4"	1/8" - 28	- 2	25	30	14
23-0404-BSPXF90	- 4	1/4"	1/4" - 19	- 4	30	29	19
23-0406-BSPXF90	- 4	1/4"	3/8" - 19	- 6	25	31	22
23-0506-BSPXF90	- 5	5/16"	3/8" - 19	- 6	32	35	22
23-0606-BSPXF90	- 6	3/8"	3/8" - 19	- 6	33	38	22
23-0608-BSPXF90	- 6	3/8"	1/2" - 14	- 8	33	41	27
23-0808-BSPXF90	- 8	1/2"	1/2" - 14	- 8	45	44	27
23-0810-BSPXF90	- 8	1/2"	5/8" - 14	- 10	42	45	30
23-0812-BSPXF90	- 8	1/2"	3/4" - 14	- 12	42	48	32
23-1010-BSPXF90	- 10	5/8"	5/8" - 14	- 10	50	45	30
23-1012-BSPXF90	- 10	5/8"	3/4" - 14	- 12	50	50	32
23-1212-BSPXF90	- 12	3/4"	3/4" - 14	- 12	56	57	32
23-1216-BSPXF90	- 12	3/4"	1" - 11	- 16	58	63	41
23-1616-BSPXF90	- 16	1"	1" - 11	- 16	74	73	41
23-2020-BSPXF90	- 20	1.1/4"	1.1/4" - 11	- 20	90	92	50
23-2424-BSPXF90	- 24	1.1/2"	1.1/2" - 11	- 24	99	100	55
23-3232-BSPXF90	- 32	2"	2" - 11	- 32	129	130	70

also available:

### Balfit<sup>®</sup> Stainless Steel 90° Swept Female BSP

(add an 'S' at the end of the part number; ex: 23.3092.0808 S)

#### Construction characteristics and dimensions may be changed at anytime without prior notice

The data contained herein is for information purposes only and does not enlarge, amend or imply any warranty other than provided by the manufacturer with the product.

Any use of the product not in conformance with the manufacturer's instruction may be dangerous

Only items in this catalog are carried in stock. Some items are subject to minimum quantities or sold in multiples of standard quantities. Please refer to the price list or contact our commercial department. Prices subject to change without notice.

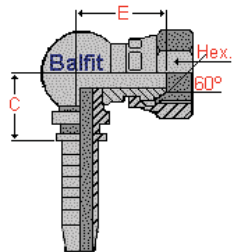
# Balfit® 23 Series - BSP 90° Compact Female Swivel Two Piece - Non Skive - Stems



BALFLEX - THE BEST NAME YOU CAN GET IN HOSE

## Balfit® 90° Compact Elbow BSP Swivel Female - 23.3082

carbon steel, BSP (British thread 60° cone) 90° compact elbow BSP female fitting for crimping on high pressure hydraulic hoses



According to **BS 5200**

- Material:** Carbon Steel, Trivalent Zink Plated - Rohs Compliant  
**Ferrules:** Balfit Ferrule Series - 20.100, 20.101, 20.107, 20.200, 20.201, 20.202, 20.301, 20.302, 20.305  
**Hoses:** Balflex Balflex Forza Uno - SAE 100R1AT/DIN EN 853 2SN  
 Balflex Forza Due - SAE 100R2AT/DIN EN 853 2SN  
 Balflex Balpac Premium - SAE 100R16/ DIN EN 853 2SC. Balpac 3000 - SAE 100R17/ DIN EN 853 1SC  
 Balflex textile braid hydraulic hose - SAE 100R3, SAE 100R6, DIN EN 854 1TE / 2TE / 3TE  
 Balflex thermoplastic hydraulic hoses - SAE100R7, SAE100R8 / DIN EN 855  
 Balflex PTFE stainless braid - 100R14  
 Balflex 2-MAX JACK / 3 MAX JACK  
 Balflex Balmaster - SAE 100R12 / DIN EN 856 4SP - on 1 1/4", 1 1/2" & 2"

part number	hose dash	hose Ø	thread	thread dash	C Cut Off	E	Hex.
		inch			mm	mm	mm
23-0404-BSPXF90C	- 4	1/4"	1/4" - 19	- 4	22	25	19
23-0506-BSPXF90C	- 5	5/16"	3/8" - 19	- 6	26	29	22
23-0606-BSPXF90C	- 6	3/8"	3/8" - 19	- 6	26	29	22
23-0608-BSPXF90C	- 6	3/8"	1/2" - 14	- 8	28	34	27
23-0808-BSPXF90C	- 8	1/2"	1/2" - 14	- 8	30	34	27
23-1010-BSPXF90C	- 10	5/8"	5/8" - 14	- 10	30	35	28
23-1212-BSPXF90C	- 12	3/4"	3/4" - 14	- 12	36	39	32
23-1616-BSPXF90C	- 16	1"	1" - 11	- 16	45	46	38

also available:

### Balfit® Stainless Steel 90° Compact Elbow Female BSP

(add an 'S' at the end of the part number; ex: 23.3082.0808 S)

#### Construction characteristics and dimensions may be changed at anytime without prior notice

The data contained herein is for information purposes only and does not enlarge, amend or imply any warranty other than provided by the manufacturer with the product.

Any use of the product not in conformance with the manufacturer's instruction may be dangerous

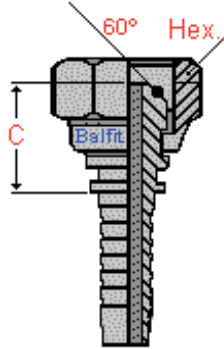
Only items in this catalog are carried in stock. Some items are subject to minimum quantities or sold in multiples of standard quantities. Please refer to the price list or contact our commercial department. Prices subject to change without notice.



# Balfit<sup>®</sup> 23 Series - BSP O-ring Swivel Female Two Piece - Non Skive - Stems

## Balfit<sup>®</sup> BSP O'ring Swivel Female - 23.3112

carbon steel, BSP (British thread 60° cone with O-ring) female fitting for crimping on high pressure hydraulic hoses



According to **ISO WD 12151-6.2** and **ISO WD 8434-6.2** According to **BS 5200**

**Material:** Carbon Steel, Trivalent Zink Plated - Rohs Compliant

**Ferrules:** Balfit Ferrule Series - 20.100, 20.101, 20.107, 20.200, 20.201, 20.202, 20.301, 20.302, 20.305

**Hoses:** Balflex Balflex Forza Uno - SAE 100R1AT/DIN EN 853 2SN

Balflex Forza Due - SAE 100R2AT/DIN EN 853 2SN

Balflex Balpac Premium - SAE 100R16/ DIN EN 853 2SC. Balpac 3000 - SAE 100R17/ DIN EN 853 1SC

Balflex textile braid hydraulic hose - SAE 100R3, SAE 100R6, DIN EN 854 1TE / 2TE / 3TE

Balflex thermoplastic hydraulic hoses - SAE100R7, SAE100R8 / DIN EN 855

Balflex PTFE stainless braid - 100R14

Balflex 2-MAX JACK / 3 MAX JACK

Balflex Balmaster - SAE 100R12 / DIN EN 856 4SP - on 1 1/4", 1 1/2" & 2"

part number	hose dash	hose Ø	thread	thread dash		C	Hex.
		inch				mm	
23-0404-BSPXFO	- 4	1/4"	1/4" - 19	- 4		17	19
23-0606-BSPXFO	- 6	3/8"	3/8" - 19	- 6		20	22
23-0808-BSPXFO	- 8	1/2"	1/2" - 14	- 8		22	27
23-1010-BSPXFO	- 10	5/8"	5/8" - 14	- 10		23	30
23-1212-BSPXFO	- 12	3/4"	3/4" - 14	- 12		24	32
23-1616-BSPXFO	- 16	1"	1" - 11	- 16		27	41

also available:

### Balfit<sup>®</sup> Stainless Steel BSP O'ring Female

(add an 'S' at the end of the part number; ex: 23.3112.0808 S)

#### Construction characteristics and dimensions may be changed at anytime without prior notice

The data contained herein is for information purposes only and does not enlarge, amend or imply any warranty other than provided by the manufacturer with the product.

Any use of the product not in conformance with the manufacturer's instruction may be dangerous

Only items in this catalog are carried in stock. Some items are subject to minimum quantities or sold in multiples of standard quantities. Please refer to the price list or contact our commercial department. Prices subject to change without notice.

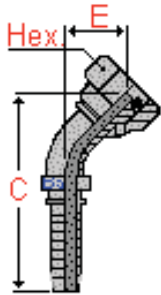
# Balfit® 23 Series - BSP 45° O-ring Female Swivel Two Piece - Non Skive - Stems



BALFLEX - THE BEST NAME YOU CAN GET IN HOSE

## Balfit® BSP 45° Swept O'ring Swivel Female - 23.3142

**solid-piece**, carbon steel, BSP (British thread 60° cone with O-ring) 45 swept female fitting for crimping on high pressure hydraulic hoses



According to **ISO WD 12151-6.2** and **ISO WD 8434-6.2** According to **BS 5200**

**Material:** Carbon Steel, Trivalent Zink Plated - Rohs Compliant

**Ferrules:** Balfit Ferrule Series - 20.100, 20.101, 20.107, 20.201, 20.202, 20.301, 20.302, 20.305

**Hoses:** Balflex Balpac Forza Uno - SAE 100R1AT/DIN EN 853 2SN

Balflex Forza Due - SAE 100R2AT/DIN EN 853 2SN

Balflex Balpac Premium - SAE 100R16/ DIN EN 853 2SC. Balpac 3000 - SAE 100R17/ DIN EN 853 1SC

Balflex textile braid hydraulic hose - SAE 100R3, SAE 100R6, DIN EN 854 1TE / 2TE / 3TE

Balflex thermoplastic hydraulic hoses - SAE100R7, SAE100R8 / DIN EN 855

Balflex PTFE stainless braid - 100R14

Balflex 2-MAX JACK / 3 MAX JACK

Balflex Balmaster - SAE 100R12 / DIN EN 856 4SP - on 1 1/4", 1 1/2" & 2"

part number	hose dash	hose Ø	thread	thread dash	C Cut Off	E	Hex.
		inch			mm	mm	mm
23-0404-BSPXFO45	- 4	1/4"	1/4" - 19	- 4	41	15	19
23-0606-BSPXFO45	- 6	3/8"	3/8" - 19	- 6	52	19	22
23-0808-BSPXFO45	- 8	1/2"	1/2" - 14	- 8	67	24	27
23-1010-BSPXFO45	- 10	5/8"	5/8" - 14	- 10	68	23	30
23-1212-BSPXFO45	- 12	3/4"	3/4" - 14	- 12	86	30	32
23-1616-BSPXFO45	- 16	1"	1" - 11	- 16	107	35	41

also available:

### Balfit® Stainless Steel BSP 45° Swept O'ring Female

(add an 'S' at the end of the part number; ex: 23.3142.0808 S)

#### Construction characteristics and dimensions may be changed at anytime without prior notice

The data contained herein is for information purposes only and does not enlarge, amend or imply any warranty other than provided by the manufacturer with the product.

Any use of the product not in conformance with the manufacturer's instruction may be dangerous

Only items in this catalog are carried in stock. Some items are subject to minimum quantities or sold in multiples of standard quantities. Please refer to the price list or contact our commercial department. Prices subject to change without notice.



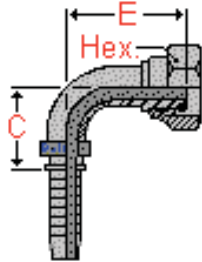


# Balfit<sup>®</sup> 23 Series - BSP 90° O-ring Female Swivel Two Piece - Non Skive - Stems

BALFLEX - THE BEST NAME YOU CAN GET IN HOSE

## Balfit<sup>®</sup> BSP 90° Swept O’ring Swivel Female - 23.3192

**solid-piece**, carbon steel, BSP (British thread 60° cone with O-ring) 90 swept female fitting for crimping on high pressure hydraulic hoses



According to **ISO WD 12151-6.2** and **ISO WD 8434-6.2** According to **BS 5200**

**Material:** Carbon Steel, Trivalent Zink Plated - Rohs Compliant

**Ferrules:** Balfit Ferrule Series - 20.100, 20.101, 20.107, 20.200, 20.201, 20.202, 20.301, 20.302, 20.305

**Hoses:** Balflex Balflex Forza Uno - SAE 100R1AT/DIN EN 853 2SN

Balflex Forza Due - SAE 100R2AT/DIN EN 853 2SN

Balflex Balpac Premium - SAE 100R16/ DIN EN 853 2SC. Balpac 3000 - SAE 100R17/ DIN EN 853 1SC

Balflex textile braid hydraulic hose - SAE 100R3, SAE 100R6, DIN EN 854 1TE / 2TE / 3TE

Balflex thermoplastic hydraulic hoses - SAE100R7, SAE100R8 / DIN EN 855

Balflex PTFE stainless braid - 100R14

Balflex 2-MAX JACK / 3 MAX JACK

Balflex Balmaster - SAE 100R12 / DIN EN 856 4SP - on 1 1/4", 1 1/2" & 2"

part number	hose dash	hose Ø	thread	thread dash	C Cut Off	E	Hex.
		inch			mm	mm	mm
23-0404-BSPXFO90	- 4	1/4"	1/4" – 19	- 4	30	29	19
23-0606-BSPXFO90	- 6	3/8"	3/8" – 19	- 6	33	38	22
23-0808-BSPXFO90	- 8	1/2"	1/2" – 14	- 8	45	44	27
23-1010-BSPXFO90	- 10	5/8"	5/8" – 14	- 10	50	45	30
23-1212-BSPXFO90	- 12	3/4"	3/4" – 14	- 12	56	57	32
23-1616-BSPXFO90	- 16	1"	1" – 11	- 16	74	73	41

also available:

### Balfit<sup>®</sup> Stainless Steel BSP 90° Swept O’ring Female

(add an 'S' at the end of the part number; ex: 23.3192.1212 S)

#### Construction characteristics and dimensions may be changed at anytime without prior notice

The data contained herein is for information purposes only and does not enlarge, amend or imply any warranty other than provided by the manufacturer with the product.

Any use of the product not in conformance with the manufacturer's instruction may be dangerous

Only items in this catalog are carried in stock. Some items are subject to minimum quantities or sold in multiples of standard quantities. Please refer to the price list or contact our commercial department. Prices subject to change without notice.

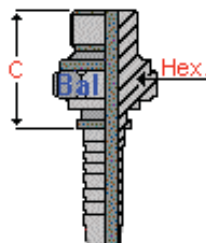
# Balfit® 23 Series - BSP Flat Face Male Two Piece - Non Skive - Stems



BALFLEX - THE BEST NAME YOU CAN GET IN HOSE

## Balfit® BSP Flat Face Male - 23.0500

carbon steel, BSP (British thread 60° cone with O-ring) flat face male fitting for crimping on high pressure hydraulic hoses



According to **BS 5200** Sealing detail according to **DIN 3852** type **A** (for sealing washer)

**Material:** Carbon Steel, Trivalent Zink Plated - Rohs Compliant

**Ferrules:** Balfit Ferrule Series - 20.100, 20.101, 20.107, 20.200, 20.201, 20.202, 20.301, 20.302, 20.305

**Hoses:** Balflex Balflex Forza Uno - SAE 100R1AT/DIN EN 853 2SN

Balflex Forza Due - SAE 100R2AT/DIN EN 853 2SN

Balflex Balpac Premium - SAE 100R16/ DIN EN 853 2SC. Balpac 3000 - SAE 100R17/ DIN EN 853 1SC

Balflex textile braid hydraulic hose - SAE 100R3, SAE 100R6, DIN EN 854 1TE / 2TE / 3TE

Balflex thermoplastic hydraulic hoses - SAE100R7, SAE100R8 / DIN EN 855

Balflex PTFE stainless braid - 100R14

Balflex 2-MAX JACK / 3 MAX JACK

Balflex Balmaster - SAE 100R12 / DIN EN 856 4SP - on 1 1/4", 1 1/2" & 2"

part number	hose dash	hose Ø	thread	thread dash	C Cut Off	Hex.
		inch				
		inch			mm	mm
23-0404-BSPOFM	- 4	1/4"	1/4" - 19	- 4	22	19
23-0406-BSPOFM	- 4	1/4"	3/8" - 19	- 6	28	22
23-0506-BSPOFM	- 5	5/16"	3/8" - 19	- 6	26	22
23-0606-BSPOFM	- 6	3/8"	3/8" - 19	- 6	26	22
23-0608-BSPOFM	- 6	3/8"	1/2" - 14	- 8	29	27
23-0808-BSPOFM	- 8	1/2"	1/2" - 14	- 8	29	27
23-0812-BSPOFM	- 8	1/2"	3/4" - 14	- 12	33	32
23-1012-BSPOFM	- 10	5/8"	3/4" - 14	- 12	34	32
23-1212-BSPOFM	- 12	3/4"	3/4" - 14	- 12	34	32
23-1616-BSPOFM	- 16	1"	1" - 11	- 16	39	41

also available:

### Balfit® Stainless Steel BSP Flat Face Male

(add an 'S' at the end of the part number; ex: 23.0500.0606 S)

#### Construction characteristics and dimensions may be changed at anytime without prior notice

The data contained herein is for information purposes only and does not enlarge, amend or imply any warranty other than provided by the manufacturer with the product.

Any use of the product not in conformance with the manufacturer's instruction may be dangerous

Only items in this catalog are carried in stock. Some items are subject to minimum quantities or sold in multiples of standard quantities. Please refer to the price list or contact our commercial department. Prices subject to change without notice.

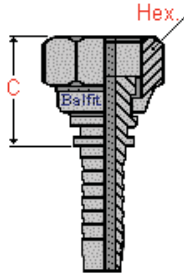


# Balfit<sup>®</sup> 23 Series - BSP Flat Face Female Two Piece - Non Skive - Stems

BALFLEX - THE BEST NAME YOU CAN GET IN HOSE

## Balfit<sup>®</sup> BSP Flat Face Female - 23.3212

carbon steel, BSP (British thread 60° cone with O-ring) flat face female fitting for crimping on high pressure hydraulic hoses



According to **BS 5200** Sealing detail according to **DIN 3852** type **A** (for sealing washer)

**Material:** Carbon Steel, Trivalent Zink Plated - Rohs Compliant

**Ferrules:** Balfit Ferrule Series - 20.100, 20.101, 20.107, 20.200, 20.201, 20.202, 20.301, 20.302, 20.305

**Hoses:** Balflex Balflex Forza Uno - SAE 100R1AT/DIN EN 853 2SN

Balflex Forza Due - SAE 100R2AT/DIN EN 853 2SN

Balflex Balpac Premium - SAE 100R16/ DIN EN 853 2SC. Balpac 3000 - SAE 100R17/ DIN EN 853 1SC

Balflex textile braid hydraulic hose - SAE 100R3, SAE 100R6, DIN EN 854 1TE / 2TE / 3TE

Balflex thermoplastic hydraulic hoses - SAE100R7, SAE100R8 / DIN EN 855

Balflex PTFE stainless braid - 100R14

Balflex 2-MAX JACK / 3 MAX JACK

Balflex Balmaster - SAE 100R12 / DIN EN 856 4SP - on 1 1/4", 1 1/2" & 2"

part number	hose dash	hose Ø	thread	thread dash		C Cut Off	Hex.
		inch				mm	mm
23-0404-BSPOF	- 4	1/4"	1/4" - 19	- 4		15	19
23-0406-BSPOF	- 4	1/4"	3/8" - 19	- 6		16	22
23-0506-BSPOF	- 5	5/16"	3/8" - 19	- 6		16	22
23-0606-BSPOF	- 6	3/8"	3/8" - 19	- 6		16	22
23-0608-BSPOF	- 6	3/8"	1/2" - 14	- 8		16	27
23-0808-BSPOF	- 8	1/2"	1/2" - 14	- 8		17	27
23-0812-BSPOF	- 8	1/2"	3/4" - 14	- 12		23	32
23-1012-BSPOF	- 10	5/8"	3/4" - 14	- 12		21	32
23-1212-BSPOF	- 12	3/4"	3/4" - 14	- 12		21	32
23-1616-BSPOF	- 16	1"	1" - 11	- 16		21	38

also available:

### Balfit<sup>®</sup> Stainless Steel BSP Flat Face Female

(add an 'S' at the end of the part number; ex: 23.3212.0606 S)

#### Construction characteristics and dimensions may be changed at anytime without prior notice

The data contained herein is for information purposes only and does not enlarge, amend or imply any warranty other than provided by the manufacturer with the product.

Any use of the product not in conformance with the manufacturer's instruction may be dangerous

Only items in this catalog are carried in stock. Some items are subject to minimum quantities or sold in multiples of standard quantities. Please refer to the price list or contact our commercial department. Prices subject to change without notice.

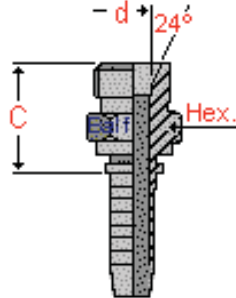
# Balfit<sup>®</sup> 23 Series - Metric Male CEL Light Two Piece - Non Skive - Stems



BALFLEX - THE BEST NAME YOU CAN GET IN HOSE

## Balfit<sup>®</sup> Metric Male CEL Light Type - 23.1000

carbon steel, light metric (metric thread, 24° cone) male fitting for crimping on high pressure hydraulic hoses



According to **ISO 12151-2** and **ISO 8434-1** According to **DIN 3861** series **L**

**Material:** Carbon Steel, Trivalent Zink Plated - Rohs Compliant

**Ferrules:** Balfit Ferrule Series - 20.100, 20.101, 20.107, 20.200, 20.201, 20.202, 20.301, 20.302, 20.305

**Hoses:** Balflex Balpac Forza Uno - SAE 100R1AT/DIN EN 853 2SN

Balflex Forza Due - SAE 100R2AT/DIN EN 853 2SN

Balflex Balpac Premium - SAE 100R16/ DIN EN 853 2SC. Balpac 3000 - SAE 100R17/ DIN EN 853 1SC

Balflex textile braid hydraulic hose - SAE 100R3, SAE 100R6, DIN EN 854 1TE / 2TE / 3TE

Balflex thermoplastic hydraulic hoses - SAE100R7, SAE100R8 / DIN EN 855

Balflex PTFE stainless braid - 100R14

Balflex 2-MAX JACK / 3 MAX JACK

Balflex Balmaster - SAE 100R12 / DIN EN 856 4SP - on 1 1/4", 1 1/2" & 2"

part number	hose dash	hose Ø	thread	thread dash	d - tube	C Cut Off	Hex.
		inch			mm	mm	mm
23-0312-DLM	- 3	3/16"	M12 x 1,5	- 12	6	18	14
23-0412-DLM	- 4	1/4"	M12 x 1,5	- 12	6	20	14
23-0414-DLM	- 4	1/4"	M14 x 1,5	- 14	8	20	14
23-0416-DLM	- 4	1/4"	M16 x 1,5	- 16	10	23	17
23-0418-DLM	- 4	1/4"	M18 x 1,5	- 18	12	23	19
23-0514-DLM	- 5	5/16"	M14 x 1,5	- 14	8	21	14
23-0516-DLM	- 5	5/16"	M16 x 1,5	- 16	10	24	17
23-0518-DLM	- 5	5/16"	M18 x 1,5	- 18	12	24	19
23-0616-DLM	- 6	3/8"	M16 x 1,5	- 16	10	24	17
23-0618-DLM	- 6	3/8"	M18 x 1,5	- 18	12	24	19
23-0622-DLM	- 6	3/8"	M22 X 1,5	- 22	15	27	24
23-0822-DLM	- 8	1/2"	M22 X 1,5	- 22	15	25	24
23-0826-DLM	- 8	1/2"	M26 X 1,5	- 26	18	26	27
23-1026-DLM	- 10	5/8"	M26 X 1,5	- 26	18	27	27
23-1030-DLM	- 10	5/8"	M30 x 2,0	- 30	22	29	32
23-1230-DLM	- 12	3/4"	M30 X 2,0	- 30	22	30	32
23-1636-DLM	- 16	1"	M36 X 2,0	- 36	28	31	41
23-2045-DLM	- 20	1.1/4"	M45 X 2,0	- 45	35	43	46
23-2452-DLM	- 24	1.1/2"	M52 X 2,0	- 52	42	45	55

also available:

### Balfit<sup>®</sup> Stainless Steel Metric Male CEL Light Type

(add an 'S' at the end of the part number; ex: 23.1000.0822 S)

#### Construction characteristics and dimensions may be changed at anytime without prior notice

The data contained herein is for information purposes only and does not enlarge, amend or imply any warranty other than provided by the manufacturer with the product.

Any use of the product not in conformance with the manufacturer's instruction may be dangerous

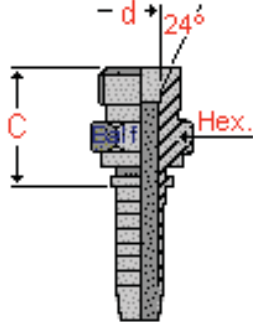
Only items in this catalog are carried in stock. Some items are subject to minimum quantities or sold in multiples of standard quantities. Please refer to the price list or contact our commercial department. Prices subject to change without notice.



# Balfit<sup>®</sup> 2- Piece Fittings

## Balfit<sup>®</sup> Metric Male CES Heavy Type - 23.1100

carbon steel, light metric (metric thread, 24° cone) male fitting for crimping on high pressure hydraulic hoses



According to **ISO 12151-2** and **ISO 8434-1** According to **DIN 3861** series **S**

**Material:** Carbon Steel, Trivalent Zink Plated - Rohs Compliant

**Ferrules:** Balfit Ferrule Series - 20.100, 20.101, 20.107, 20.200, 20.201, 20.202, 20.301, 20.302, 20.305

**Hoses:** Balflex Balflex Forza Uno - SAE 100R1AT/DIN EN 853 2SN

Balflex Forza Due - SAE 100R2AT/DIN EN 853 2SN

Balflex Balpac Premium - SAE 100R16/ DIN EN 853 2SC. Balpac 3000 - SAE 100R17/ DIN EN 853 1SC

Balflex textile braid hydraulic hose - SAE 100R3, SAE 100R6, DIN EN 854 1TE / 2TE / 3TE

Balflex thermoplastic hydraulic hoses - SAE100R7, SAE100R8 / DIN EN 855

Balflex PTFE stainless braid - 100R14

Balflex 2-MAX JACK / 3 MAX JACK

Balflex Balmaster - SAE 100R12 / DIN EN 856 4SP - on 1 1/4", 1 1/2" & 2"

part number	hose dash	hose Ø	thread	thread dash	d - tube	C Cut Off	Hex.
		inch			mm	mm	mm
23-0316-DHM	- 3	3/16 "	M16 x 1,5	- 16	8	24	14
23-0416-DHM	- 4	1/4 "	M16 x 1,5	- 16	8	26	17
23-0418-DHM	- 4	1/4 "	M18 x 1,5	- 18	10	26	19
23-0516-DHM	- 5	5/16 "	M16 x 1,5	- 16	8	27	17
23-0518-DHM	- 5	5/16 "	M18 x 1,5	- 18	10	27	19
23-0520-DHM	- 5	5/16 "	M20 x 1,5	- 20	12	28	22
23-0618-DHM	- 6	3/8 "	M18 x 1,5	- 18	10	27	19
23-0620-DHM	- 6	3/8 "	M20 x 1,5	- 20	12	29	22
23-0622-DHM	- 6	3/8 "	M22 x 1,5	- 22	14	29	24
23-0824-DHM	- 8	1/2 "	M24 x 1,5	- 24	16	32	27
23-1030-DHM	- 10	5/8 "	M30 x 2,0	- 30	20	36	32
23-1230-DHM	- 12	3/4 "	M30 x 2,0	- 30	20	38	32
23-1236-DHM	- 12	3/4 "	M36 x 2,0	- 36	25	40	41
23-1642-DHM	- 16	1 "	M42 x 2,0	- 42	30	41	41
23-1642-DHM	- 16	1 "	M42 x 2,0	- 42	30	40	46
23-2052-DHM	- 20	1.1/4 "	M52 x 2,0	- 52	38	49	55

also available:

### Balfit<sup>®</sup> Stainless Steel Metric Male CES Heavy Type

(add an 'S' at the end of the part number; ex: 23.1100.0824 S)

#### Construction characteristics and dimensions may be changed at anytime without prior notice

The data contained herein is for information purposes only and does not enlarge, amend or imply any warranty other than provided by the manufacturer with the product.

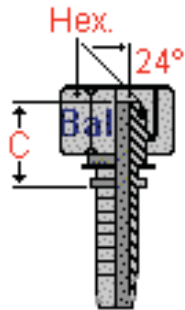
Any use of the product not in conformance with the manufacturer's instruction may be dangerous

Only items in this catalog are carried in stock. Some items are subject to minimum quantities or sold in multiples of standard quantities. Please refer to the price list or contact our commercial department. Prices subject to change without notice.



## Balfit<sup>®</sup> Metric Female DKO - L Light Type - 23.5013

carbon steel, light metric (metric thread, 24° cone with O'Ring) female fitting for crimping on high pressure hydraulic hoses



According to **ISO 12151-2** and **ISO 8434-1** According to **DIN 3865** series **L**

**Material:** Carbon Steel, Trivalent Zink Plated - Rohs Compliant

**Ferrules:** Balfit Ferrule Series - 20.100, 20.101, 20.107, 20.200, 20.201, 20.202, 20.301, 20.302, 20.305

**Hoses:** Balflex Balflex Forza Uno - SAE 100R1AT/DIN EN 853 2SN

Balflex Forza Due - SAE 100R2AT/DIN EN 853 2SN

Balflex Balpac Premium - SAE 100R16/ DIN EN 853 2SC. Balpac 3000 - SAE 100R17/ DIN EN 853 1SC

Balflex textile braid hydraulic hose - SAE 100R3, SAE 100R6, DIN EN 854 1TE / 2TE / 3TE

Balflex thermoplastic hydraulic hoses - SAE100R7, SAE100R8 / DIN EN 855

Balflex PTFE stainless braid - 100R14

Balflex 2-MAX JACK / 3 MAX JACK

Balflex Balmaster - SAE 100R12 / DIN EN 856 4SP - on 1 1/4", 1 1/2" & 2"

part number	hose dash	hose Ø	thread	thread dash	tube	C Cut Off	Hex.
		inch					
23-0312-DLF	- 3	3/16"	M12 x 1,5	- 12	- 6	23	14
23-0412-DLF	- 4	1/4"	M12 x 1,5	- 12	- 6	26	17
23-0414-DLF	- 4	1/4"	M14 x 1,5	- 14	- 8	23	17
23-0416-DLF	- 4	1/4"	M16 x 1,5	- 16	- 10	28	19
23-0418-DLF	- 4	1/4"	M18 x 1,5	- 18	- 12	24	22
23-0516-DLF	- 5	5/16"	M16 x 1,5	- 16	- 10	24	19
23-0616-DLF	- 6	3/8"	M16 x 1,5	- 16	- 10	28	22
23-0618-DLF	- 6	3/8"	M18 x 1,5	- 18	- 12	26	22
23-0622-DLF	- 6	3/8"	M22 x 1,5	- 22	- 15	29	27
23-0822-DLF	- 8	1/2"	M22 x 1,5	- 22	- 15	29	27
23-0826-DLF	- 8	1/2"	M26 x 1,5	- 26	- 18	30	32
23-1026-DLF	- 10	5/8"	M26 x 1,5	- 26	- 18	31	32
23-1030-DLF	- 10	5/8"	M30 x 2,0	- 30	- 22	32	36
23-1230-DLF	- 12	3/4"	M30 x 2,0	- 30	- 22	32	36
23-1236-DLF	- 12	3/4"	M36 x 2,0	- 36	- 28	32	46
23-1636-DLF	- 16	1"	M36 x 2,0	- 36	- 28	38	46
23-2045-DLF	- 20	1.1/4"	M45 x 2,0	- 45	- 35	35	55
23-2452-DLF	- 24	1.1/2"	M52 x 2,0	- 52	- 42	38	60

also available:

### Balfit<sup>®</sup> Stainless Steel Metric Female DKO - L Light Type

(add an 'S' at the end of the part number; ex: 23.5013.1026 S)

#### Construction characteristics and dimensions may be changed at anytime without prior notice

The data contained herein is for information purposes only and does not enlarge, amend or imply any warranty other than provided by the manufacturer with the product.

Any use of the product not in conformance with the manufacturer's instruction may be dangerous

Only items in this catalog are carried in stock. Some items are subject to minimum quantities or sold in multiples of standard quantities. Please refer to the price list or contact our commercial department. Prices subject to change without notice.

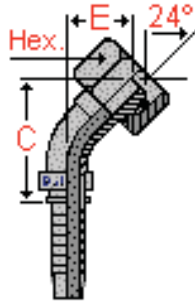


# Balfit<sup>®</sup> 23 Series - Metric 45° Female DKO (L) Two Piece - Non Skive - Stems

BALFLEX - THE BEST NAME YOU CAN GET IN HOSE

## Balfit<sup>®</sup> Metric 45° Swept Female DKO - L Light Type - 23.5043

*solid-piece, carbon steel, light metric (metric thread, 24° cone with O'Ring) 45 swept female fitting for crimping on high pressure hydraulic hoses*



According to **ISO 12151-2** and **ISO 8434-1** According to **DIN 3865** series **L**

**Material:** Carbon Steel, Trivalent Zink Plated - Rohs Compliant

**Ferrules:** Balfit Ferrule Series - 20.100, 20.101, 20.107, 20.200, 20.201, 20.202, 20.301, 20.302, 20.305

**Hoses:** Balflex Balflex Forza Uno - SAE 100R1AT/DIN EN 853 2SN

Balflex Forza Due - SAE 100R2AT/DIN EN 853 2SN

Balflex Balpac Premium - SAE 100R16/ DIN EN 853 2SC. Balpac 3000 - SAE 100R17/ DIN EN 853 1SC

Balflex textile braid hydraulic hose - SAE 100R3, SAE 100R6, DIN EN 854 1TE / 2TE / 3TE

Balflex thermoplastic hydraulic hoses - SAE100R7, SAE100R8 / DIN EN 855

Balflex PTFE stainless braid - 100R14

Balflex 2-MAX JACK / 3 MAX JACK

Balflex Balmaster - SAE 100R12 / DIN EN 856 4SP - on 1 1/4", 1 1/2" & 2"

part number	hose dash	hose Ø	thread	thread dash	tube	C Cut Off	E	Hex.
		inch			mm	mm	mm	mm
23-0312-DLF45	- 3	3/16"	M12 x 1,5	- 12	- 6	34	15	14
23-0412-DLF45	- 4	1/4"	M12 x 1,5	- 12	- 6	43	20	17
23-0414-DLF45	- 4	1/4"	M14 x 1,5	- 14	- 8	39	17	17
23-0416-DLF45	- 4	1/4"	M16 x 1,5	- 16	- 10	38	17	19
23-0418-DLF45	- 4	1/4"	M18 x 1,5	- 18	- 12	44	18	22
23-0516-DLF45	- 5	5/16"	M16 x 1,5	- 16	- 10	46	21	19
23-0616-DLF45	- 6	3/8"	M16 x 1,5	- 16	- 10	53	25	22
23-0618-DLF45	- 6	3/8"	M18 x 1,5	- 18	- 12	46	23	22
23-0622-DLF45	- 6	3/8"	M22 x 1,5	- 22	- 15	48	22	27
23-0822-DLF45	- 8	1/2"	M22 x 1,5	- 22	- 15	59	26	27
23-1026-DLF45	- 10	5/8"	M26 x 1,5	- 26	- 18	62	30	32
23-1230-DLF45	- 12	3/4"	M30 x 2,0	- 30	- 22	68	30	36
23-1636-DLF45	- 16	1"	M36 x 2,0	- 36	- 28	81	38	46
23-2045-DLF45	- 20	1.1/4"	M45 x 2,0	- 45	- 35	93	45	50
23-2452-DLF45	- 24	1.1/2"	M52 x 2,0	- 52	- 42	105	45	60

also available:

### Balfit<sup>®</sup> Stainless Steel Metric 45° Swept Female DKO - L Light Type

(add an 'S' at the end of the part number; ex: 23.5043.1230 S)

#### Construction characteristics and dimensions may be changed at anytime without prior notice

The data contained herein is for information purposes only and does not enlarge, amend or imply any warranty other than provided by the manufacturer with the product.

Any use of the product not in conformance with the manufacturer's instruction may be dangerous

Only items in this catalog are carried in stock. Some items are subject to minimum quantities or sold in multiples of standard quantities. Please refer to the price list or contact our commercial department. Prices subject to change without notice.

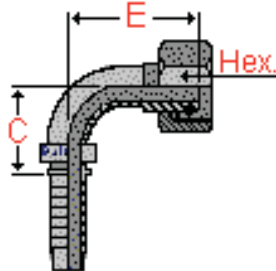
# Balfit<sup>®</sup> 23 Series - Metric 90° Female DKO (L) Two Piece - Non Skive - Stems



BALFLEX - THE BEST NAME YOU CAN GET IN HOSE

## Balfit<sup>®</sup> Metric 90° Swept Female DKO - L Light Type - 23.5093

**solid-piece**, carbon steel, light metric (metric thread, 24° cone with O'Ring) 90 swept female fitting for crimping on high pressure hydraulic hoses



According to **ISO 12151-2** and **ISO 8434-1** According to **DIN 3865** series L

**Material:** Carbon Steel, Trivalent Zink Plated - Rohs Compliant

**Ferrules:** Balfit Ferrule Series - 20.100, 20.101, 20.107, 20.200, 20.201, 20.202, 20.301, 20.302, 20.305

**Hoses:** Balflex Balflex Forza Uno - SAE 100R1AT/DIN EN 853 2SN

Balflex Forza Due - SAE 100R2AT/DIN EN 853 2SN

Balflex Balpac Premium - SAE 100R16/ DIN EN 853 2SC. Balpac 3000 - SAE 100R17/ DIN EN 853 1SC

Balflex textile braid hydraulic hose - SAE 100R3, SAE 100R6, DIN EN 854 1TE / 2TE / 3TE

Balflex thermoplastic hydraulic hoses - SAE100R7, SAE100R8 / DIN EN 855

Balflex PTFE stainless braid - 100R14

Balflex 2-MAX JACK / 3 MAX JACK

Balflex Balmaster - SAE 100R12 / DIN EN 856 4SP - on 1 1/4", 1 1/2" & 2"

part number	hose dash	hose Ø	thread	thread dash	tube	C	E	Hex.
		inch				Cut Off		
23-0312-DLF90	- 3	3/16"	M12 x 1,5	- 12	- 6	25	25	14
23-0412-DLF90	- 4	1/4"	M12 x 1,5	- 12	- 6	30	40	17
23-0414-DLF90	- 4	1/4"	M14 x 1,5	- 14	- 8	31	30	17
23-0416-DLF90	- 4	1/4"	M16 x 1,5	- 16	- 10	26	28	19
23-0418-DLF90	- 4	1/4"	M18 x 1,5	- 18	- 12	27	34	22
23-0516-DLF90	- 5	5/16"	M16 x 1,5	- 16	- 10	31	31	19
23-0518-DLF90	- 5	5/16"	M18 x 1,5	- 18	- 12	31	34	22
23-0616-DLF90	- 6	3/8"	M16 x 1,5	- 16	- 10	33	38	22
23-0618-DLF90	- 6	3/8"	M18 x 1,5	- 18	- 12	37	37	22
23-0622-DLF90	- 6	3/8"	M22 x 1,5	- 22	- 15	39	32	27
23-0822-DLF90	- 8	1/2"	M22 x 1,5	- 22	- 15	40	41	27
23-1026-DLF90	- 10	5/8"	M26 x 1,5	- 26	- 18	46	52	32
23-1230-DLF90	- 12	3/4"	M30 x 2,0	- 30	- 22	58	59	36
23-1636-DLF90	- 16	1"	M36 x 2,0	- 36	- 28	62	68	46
23-2045-DLF90	- 20	1.1/4"	M45 x 2,0	- 45	- 35	81	85	50
23-2452-DLF90	- 24	1.1/2"	M52 x 2,0	- 52	- 42	96	100	60

also available:

### Balfit<sup>®</sup> Stainless Steel Metric 90° Swept Female DKO - L Light Type

(add an 'S' at the end of the part number; ex: 23.5093.1230 S)

#### Construction characteristics and dimensions may be changed at anytime without prior notice

The data contained herein is for information purposes only and does not enlarge, amend or imply any warranty other than provided by the manufacturer with the product.

Any use of the product not in conformance with the manufacturer's instruction may be dangerous

Only items in this catalog are carried in stock. Some items are subject to minimum quantities or sold in multiples of standard quantities. Please refer to the price list or contact our commercial department. Prices subject to change without notice.



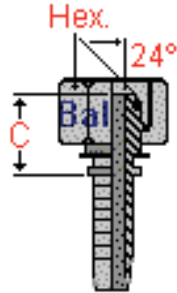


# Balfit® 23 Series - Metric Female DKO (S) Two Piece - Non Skive - Stems

BALFLEX - THE BEST NAME YOU CAN GET IN HOSE

## Balfit® Metric Female DKO - S Heavy Type - 23.5113

carbon steel, heavy metric (metric thread, 24° cone with O'Ring) female fitting for crimping on high pressure hydraulic hoses



According to **ISO 12151-2** and **ISO 8434-1** According to **DIN 3865 series S**

**Material:** Carbon Steel, Trivalent Zink Plated - Rohs Compliant

**Ferrules:** Balfit Ferrule Series - 20.100, 20.101, 20.107, 20.200, 20.201, 20.202, 20.301, 20.302, 20.305

**Hoses:** Balflex Balflex Forza Uno - SAE 100R1AT/DIN EN 853 2SN

Balflex Forza Due - SAE 100R2AT/DIN EN 853 2SN

Balflex Balpac Premium - SAE 100R16/ DIN EN 853 2SC. Balpac 3000 - SAE 100R17/ DIN EN 853 1SC

Balflex textile braid hydraulic hose - SAE 100R3, SAE 100R6, DIN EN 854 1TE / 2TE / 3TE

Balflex thermoplastic hydraulic hoses - SAE100R7, SAE100R8 / DIN EN 855

Balflex PTFE stainless braid - 100R14

Balflex 2-MAX JACK / 3 MAX JACK

Balflex Balmaster - SAE 100R12 / DIN EN 856 4SP - on 1 1/4", 1 1/2" & 2"

part number	hose dash	hose Ø	thread	thread dash	tube	C	Hex.
		inch				mm	
23-0316-DHF	- 3	3/16"	M16 x 1,5	- 16	8	23	19
23-0414-DHF	- 4	1/4"	M14 x 1,5	- 14	6	25	17
23-0416-DHF	- 4	1/4"	M16 x 1,5	- 16	8	24	19
23-0418-DHF	- 4	1/4"	M18 x 1,5	- 18	10	25	22
23-0520-DHF	- 5	5/16"	M20 x 1,5	- 20	12	26	24
23-0620-DHF	- 6	3/8"	M20 x 1,5	- 20	12	26	24
23-0622-DHF	- 6	3/8"	M22 x 1,5	- 22	14	26	27
23-0824-DHF	- 8	1/2"	M24 x 1,5	- 24	16	27	30
23-1030-DHF	- 10	5/8"	M30 x 2,0	- 30	20	34	36
23-1230-DHF	- 12	3/4"	M30 x 2,0	- 30	20	34	36
23-1236-DHF	- 12	3/4"	M36 x 2,0	- 36	25	31	46
23-1636-DHF	- 16	1"	M36 x 2,0	- 36	25	31	46
23-1642-DHF	- 16	1"	M42 x 2,0	- 42	30	36	50
23-2052-DHF	- 20	1.1/4"	M52 x 2,0	- 52	38	36	60
23-2452-DHF	- 24	1.1/2"	M52 x 2,0	- 52	38	36	60

also available:

### Balfit® Stainless Steel Metric Female DKO - S Heavy Type

(add an 'S' at the end of the part number; ex: 23.5113.0824 S)

#### Construction characteristics and dimensions may be changed at anytime without prior notice

The data contained herein is for information purposes only and does not enlarge, amend or imply any warranty other than provided by the manufacturer with the product.

Any use of the product not in conformance with the manufacturer's instruction may be dangerous

Only items in this catalog are carried in stock. Some items are subject to minimum quantities or sold in multiples of standard quantities. Please refer to the price list or contact our commercial department. Prices subject to change without notice.

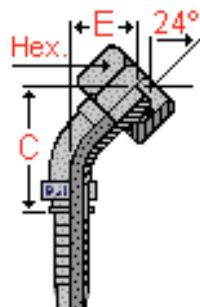
# Balfit® 23 Series - Metric 45° Female DKO (S) Two Piece - Non Skive - Stems



BALFLEX - THE BEST NAME YOU CAN GET IN HOSE

## Balfit® Metric 45° Swept Female DKO - S Heavy Type - 23.5143

*solid-piece, carbon steel, heavy metric (metric thread, 24° cone with O'Ring) 45 swept female fitting for crimping on high pressure hydraulic hoses*



According to **ISO 12151-2** and **ISO 8434-1** According to **DIN 3865** series **S**

**Material:** Carbon Steel, Trivalent Zink Plated - Rohs Compliant

**Ferrules:** Balfit Ferrule Series - 20.100, 20.101, 20.107, 20.200, 20.201, 20.202, 20.301, 20.302, 20.305

**Hoses:** Balflex Balflex Forza Uno - SAE 100R1AT/DIN EN 853 2SN

Balflex Forza Due - SAE 100R2AT/DIN EN 853 2SN

Balflex Balpac Premium - SAE 100R16/ DIN EN 853 2SC. Balpac 3000 - SAE 100R17/ DIN EN 853 1SC

Balflex textile braid hydraulic hose - SAE 100R3, SAE 100R6, DIN EN 854 1TE / 2TE / 3TE

Balflex thermoplastic hydraulic hoses - SAE100R7, SAE100R8 / DIN EN 855

Balflex PTFE stainless braid - 100R14

Balflex 2-MAX JACK / 3 MAX JACK

Balflex Balmaster - SAE 100R12 / DIN EN 856 4SP - on 1 1/4", 1 1/2" & 2"

part number	hose dash	hose Ø	thread	thread dash	tube	C Cut Off	E	Hex.
		inch			mm	mm	mm	mm
23-0316-DHF45	- 3	3/16"	M16 x 1,5	- 16	8	35	16	19
23-0416-DHF45	- 4	1/4"	M16 x 1,5	- 16	8	43	21	19
23-0418-DHF45	- 4	1/4"	M18 x 1,5	- 18	10	43	21	22
23-0520-DHF45	- 5	5/16"	M20 x 1,5	- 20	12	47	25	24
23-0620-DHF45	- 6	3/8"	M20 x 1,5	- 20	12	49	25	24
23-0622-DHF45	- 6	3/8"	M22 x 1,5	- 22	14	50	24	27
23-0824-DHF45	- 8	1/2"	M24 x 1,5	- 24	16	53	27	30
23-1030-DHF45	- 10	5/8"	M30 x 2,0	- 30	20	75	31	36
23-1230-DHF45	- 12	3/4"	M30 x 2,0	- 30	20	83	31	36
23-1236-DHF45	- 12	3/4"	M36 x 2,0	- 36	25	80	33	46
23-1636-DHF45	- 16	1"	M36 x 2,0	- 36	25	80	33	46
23-1642-DHF45	- 16	1"	M42 x 2,0	- 42	30	90	41	50
23-2052-DHF45	- 20	1.1/4"	M52 x 2,0	- 52	38	130	41	60

also available:

### Balfit® Stainless Steel Metric 45° Swept Female DKO - S Heavy Type

(add an 'S' at the end of the part number; ex: 23.5143.0824 S)

#### Construction characteristics and dimensions may be changed at anytime without prior notice

The data contained herein is for information purposes only and does not enlarge, amend or imply any warranty other than provided by the manufacturer with the product.

Any use of the product not in conformance with the manufacturer's instruction may be dangerous

Only items in this catalog are carried in stock. Some items are subject to minimum quantities or sold in multiples of standard quantities. Please refer to the price list or contact our commercial department. Prices subject to change without notice.

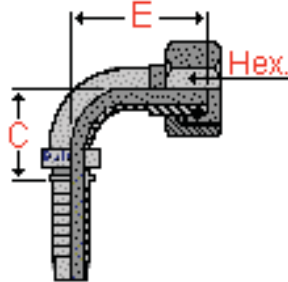


# Balfit<sup>®</sup> 23 Series - Metric 90° Female DKO (S) Two Piece - Non Skive - Stems

BALFLEX - THE BEST NAME YOU CAN GET IN HOSE

## Balfit<sup>®</sup> Metric 90° Swept Female DKO - S Heavy Type - 23.5193

*solid-piece, carbon steel, heavy metric (metric thread, 24° cone with O'Ring) 90 swept female fitting for crimping on high pressure hydraulic hoses*



According to **ISO 12151-2** and **ISO 8434-1** According to **DIN 3865** series **S**

**Material:** Carbon Steel, Trivalent Zink Plated - Rohs Compliant

**Ferrules:** Balfit Ferrule Series - 20.100, 20.101, 20.107, 20.200, 20.201, 20.202, 20.301, 20.302, 20.305

**Hoses:** Balflex Balflex Forza Uno - SAE 100R1AT/DIN EN 853 2SN

Balflex Balpac Due - SAE 100R2AT/DIN EN 853 2SN

Balflex Balpac Premium - SAE 100R16/ DIN EN 853 2SC. Balpac 3000 - SAE 100R17/ DIN EN 853 1SC

Balflex textile braid hydraulic hose - SAE 100R3, SAE 100R6, DIN EN 854 1TE / 2TE / 3TE

Balflex thermoplastic hydraulic hoses - SAE100R7, SAE100R8 / DIN EN 855

Balflex PTFE stainless braid - 100R14

Balflex 2-MAX JACK / 3 MAX JACK

Balflex Balmaster - SAE 100R12 / DIN EN 856 4SP - on 1 1/4", 1 1/2" & 2"

part number	hose dash	hose Ø	thread	thread dash	tube	C Cut Off	E	Hex.
		inch			mm	mm	mm	mm
23-0316-DHF90	- 3	3/16"	M16 x 1,5	- 16	8	24	24	19
23-0416-DHF90	- 4	1/4"	M16 x 1,5	- 16	8	26	29	19
23-0418-DHF90	- 4	1/4"	M18 x 1,5	- 18	10	26	31	22
23-0520-DHF90	- 5	5/16"	M20 x 1,5	- 20	12	33	40	24
23-0620-DHF90	- 6	3/8"	M20 x 1,5	- 20	12	34	38	24
23-0622-DHF90	- 6	3/8"	M22 x 1,5	- 22	14	33	44	27
23-0824-DHF90	- 8	1/2"	M24 x 1,5	- 24	16	42	44	30
23-1030-DHF90	- 10	5/8"	M30 x 2,0	- 30	20	46	51	36
23-1230-DHF90	- 12	3/4"	M30 x 2,0	- 30	20	58	56	36
23-1236-DHF90	- 12	3/4"	M36 x 2,0	- 36	25	56	60	46
23-1636-DHF90	- 16	1"	M36 x 2,0	- 36	25	69	68	46
23-1642-DHF90	- 16	1"	M42 x 2,0	- 42	30	69	69	50
23-2052-DHF90	- 20	1.1/4"	M52 x 2,0	- 52	38	83	83	60

also available:

### Balfit<sup>®</sup> Stainless Steel Metric 90° Swept Female DKO - S Heavy Type

(add an 'S' at the end of the part number; ex: 23.5193.0824 S)

#### Construction characteristics and dimensions may be changed at anytime without prior notice

The data contained herein is for information purposes only and does not enlarge, amend or imply any warranty other than provided by the manufacturer with the product.

Any use of the product not in conformance with the manufacturer's instruction may be dangerous

Only items in this catalog are carried in stock. Some items are subject to minimum quantities or sold in multiples of standard quantities. Please refer to the price list or contact our commercial department. Prices subject to change without notice.

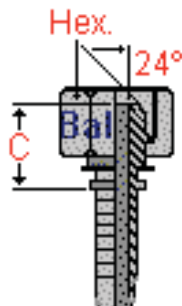
# Balfit<sup>®</sup> 23 Series - Metric Female DKL Two Piece - Non Skive - Stems



BALFLEX - THE BEST NAME YOU CAN GET IN HOSE

## Balfit<sup>®</sup> Metric Female DKL – 24° Seat - 23.5213

carbon steel, metric thread, 24° cone female fitting for crimping on high pressure hydraulic hoses



According to **DIN 20078** and **DIN 3868**

- Material:** Carbon Steel, Trivalent Zink Plated - Rohs Compliant  
**Ferrules:** Balfit Ferrule Series - 20.100, 20.101, 20.107, 20.200, 20.201, 20.202, 20.301, 20.302, 20.305  
**Hoses:** Balflex Balflex Forza Uno - SAE 100R1AT/DIN EN 853 2SN  
 Balflex Forza Due - SAE 100R2AT/DIN EN 853 2SN  
 Balflex Balpac Premium - SAE 100R16/ DIN EN 853 2SC. Balpac 3000 - SAE 100R17/ DIN EN 853 1SC  
 Balflex textile braid hydraulic hose - SAE 100R3, SAE 100R6, DIN EN 854 1TE / 2TE / 3TE  
 Balflex thermoplastic hydraulic hoses - SAE100R7, SAE100R8 / DIN EN 855  
 Balflex PTFE stainless braid - 100R14  
 Balflex 2-MAX JACK / 3 MAX JACK  
 Balflex Balmaster - SAE 100R12 / DIN EN 856 4SP - on 1 1/4", 1 1/2" & 2"

part number	hose dash	hose Ø	thread	thread dash	tube	C	Hex.
		inch				Cut Off	
23-0414-DKL	- 4	1/4"	M14 x 1,5	- 14	- 8	19	17
23-0416-DKL	- 4	1/4"	M16 x 1,5	- 16	- 10	19	19
23-0516-DKL	- 5	5/16"	M16 x 1,5	- 16	- 10	19	19
23-0518-DKL	- 5	5/16"	M18 x 1,5	- 18	- 12	21	22
23-0618-DKL	- 6	3/8"	M18 x 1,5	- 18	- 12	23	22
23-0622-DKL	- 6	3/8"	M22 x 1,5	- 22	- 15	22	27
23-0822-DKL	- 8	1/2"	M22 x 1,5	- 22	- 15	22	27
23-0826-DKL	- 8	1/2"	M26 x 1.5	- 26	- 18	24	32
23-1026-DKL	- 10	5/8"	M26 x 1,5	- 26	- 18	24	32

also available:

### Balfit<sup>®</sup> Stainless Steel Metric Female DKL

(add an 'S' at the end of the part number; ex: 23.5213.1026S)

#### Construction characteristics and dimensions may be changed at anytime without prior notice

The data contained herein is for information purposes only and does not enlarge, amend or imply any warranty other than provided by the manufacturer with the product.

Any use of the product not in conformance with the manufacturer's instruction may be dangerous

Only items in this catalog are carried in stock. Some items are subject to minimum quantities or sold in multiples of standard quantities. Please refer to the price list or contact our commercial department. Prices subject to change without notice.

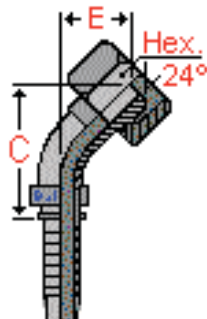


# Balfit<sup>®</sup> 23 Series - Metric 45° Female DKM Two Piece - Non Skive - Stems

BALFLEX - THE BEST NAME YOU CAN GET IN HOSE

## Balfit<sup>®</sup> Metric 45° Swept Female DKL – 24° Seat - 23.5243

one piece, carbon steel, metric thread, 24° cone 45 swept female fitting for crimping on high pressure hydraulic hoses



According to **DIN 20078** and **DIN 3868**

**Material:** Carbon Steel, Trivalent Zink Plated - Rohs Compliant

**Ferrules:** Balfit Ferrule Series - 20.100, 20.101, 20.107, 20.200, 20.201, 20.202, 20.301, 20.302, 20.305

**Hoses:** Balflex Balflex Forza Uno - SAE 100R1AT/DIN EN 853 2SN

Balflex Forza Due - SAE 100R2AT/DIN EN 853 2SN

Balflex Balpac Premium - SAE 100R16/ DIN EN 853 2SC. Balpac 3000 - SAE 100R17/ DIN EN 853 1SC

Balflex textile braid hydraulic hose - SAE 100R3, SAE 100R6, DIN EN 854 1TE / 2TE / 3TE

Balflex thermoplastic hydraulic hoses - SAE100R7, SAE100R8 / DIN EN 855

Balflex PTFE stainless braid - 100R14

Balflex 2-MAX JACK / 3 MAX JACK

Balflex Balmaster - SAE 100R12 / DIN EN 856 4SP - on 1 1/4", 1 1/2" & 2"

part number	hose dash	hose Ø	thread	thread dash	tube	C Cut Off	Hex.
		inch			mm	mm	mm
23-0414-DKL45	- 4	1/4"	M14 x 1,5	- 14	- 8	37	17
23-0416-DKL45	- 4	1/4"	M16 x 1,5	- 16	- 10	42	19
23-0516-DKL45	- 5	5/16"	M16 x 1,5	- 16	- 10	45	19
23-0518-DKL45	- 5	5/16"	M18 x 1,5	- 18	- 12	49	22
23-0618-DKL45	- 6	3/8"	M18 x 1,5	- 18	- 12	54	22
23-0622-DKL45	- 6	3/8"	M22 x 1,5	- 22	- 15	54	27
23-0822-DKL45	- 8	1/2"	M22 x 1,5	- 22	- 15	63	27
23-0826-DKL45	- 8	1/2"	M26 x 1,5	- 26	- 18	63	32
23-1026-DKL45	- 10	5/8"	M26 x 1,5	- 26	- 18	74	32

also available:

### Balfit<sup>®</sup> Stainless Steel Metric 45° Swept Female DKLType

(add an 'S' at the end of the part number; ex: 23.5243.1026S)

#### Construction characteristics and dimensions may be changed at anytime without prior notice

The data contained herein is for information purposes only and does not enlarge, amend or imply any warranty other than provided by the manufacturer with the product.

Any use of the product not in conformance with the manufacturer's instruction may be dangerous

Only items in this catalog are carried in stock. Some items are subject to minimum quantities or sold in multiples of standard quantities. Please refer to the price list or contact our commercial department. Prices subject to change without notice.

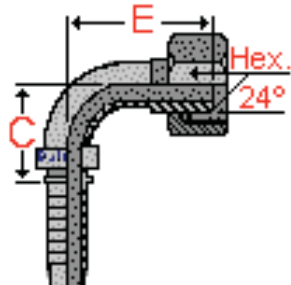
# Balfit® 23 Series - Metric 90° Female DKL Two Piece - Non Skive - Stems



BALFLEX - THE BEST NAME YOU CAN GET IN HOSE

## Balfit® Metric 90° Swept Female DKL – 24° Seat - 23.5293

one piece, carbon steel, metric thread, 24° cone 90 swept female fitting for crimping on high pressure hydraulic hoses



According to **DIN 20078** and **DIN 3868**

- Material:** Carbon Steel, Trivalent Zink Plated - Rohs Compliant  
**Ferrules:** Balfit Ferrule Series - 20.100, 20.101, 20.107, 20.200, 20.201, 20.202, 20.301, 20.302, 20.305  
**Hoses:** Balflex Balflex Forza Uno - SAE 100R1AT/DIN EN 853 2SN  
 Balflex Forza Due - SAE 100R2AT/DIN EN 853 2SN  
 Balflex Balpac Premium - SAE 100R16/ DIN EN 853 2SC. Balpac 3000 - SAE 100R17/ DIN EN 853 1SC  
 Balflex textile braid hydraulic hose - SAE 100R3, SAE 100R6, DIN EN 854 1TE / 2TE / 3TE  
 Balflex thermoplastic hydraulic hoses - SAE100R7, SAE100R8 / DIN EN 855  
 Balflex PTFE stainless braid - 100R14  
 Balflex 2-MAX JACK / 3 MAX JACK  
 Balflex Balmaster - SAE 100R12 / DIN EN 856 4SP - on 1 1/4", 1 1/2" & 2"

part number	hose dash	hose Ø	thread	thread dash	tube	C	Hex.
		inch				Cut Off	
23-0414-DKL90	- 4	1/4"	M14 x 1,5	- 14	- 8	25	17
23-0416-DKL90	- 4	1/4"	M16 x 1,5	- 16	- 10	25	19
23-0516-DKL90	- 5	5/16"	M16 x 1,5	- 16	- 10	32	19
23-0518-DKL90	- 5	5/16"	M18 x 1,5	- 18	- 12	31	22
23-0618-DKL90	- 6	3/8"	M18 x 1,5	- 18	- 12	34	22
23-0622-DKL90	- 6	3/8"	M22 x 1,5	- 22	- 15	33	27
23-0822-DKL90	- 8	1/2"	M22 x 1,5	- 22	- 15	41	27
23-0826-DKL90	- 8	1/2"	M26 x 1,5	- 26	- 18	46	32
23-1026-DKL90	- 10	5/8"	M26 x 1,5	- 26	- 18	46	32

also available:

**Balfit® Stainless Steel Metric 90° Swept Female DKL Type**  
 (add an 'S' at the end of the part number; ex: 23.5293.1026S)

### Construction characteristics and dimensions may be changed at anytime without prior notice

The data contained herein is for information purposes only and does not enlarge, amend or imply any warranty other than provided by the manufacturer with the product.

Any use of the product not in conformance with the manufacturer's instruction may be dangerous

Only items in this catalog are carried in stock. Some items are subject to minimum quantities or sold in multiples of standard quantities. Please refer to the price list or contact our commercial department. Prices subject to change without notice.

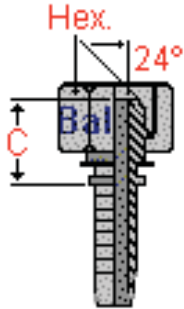


# Balfit<sup>®</sup> 23 Series - Metric Female DKM Two Piece - Non Skive - Stems

BALFLEX - THE BEST NAME YOU CAN GET IN HOSE

## Balfit<sup>®</sup> Metric Female DKM – 60° Seat - 23.5313

carbon steel, metric thread, 60° cone female fitting for crimping on high pressure hydraulic hoses



According to **DIN 20078** and **DIN 3868**

**Material:** Carbon Steel, Trivalent Zinc Plated - Rohs Compliant

**Ferrules:** **Balfit** Ferrule Series - 20.100, 20.101, 20.107, 20.200, 20.201, 20.202, 20.301, 20.302, 20.305

**Hoses:** **Balflex** **Balflex Forza Uno** - SAE 100R1AT/DIN EN 853 2SN

**Balflex** **Forza Due** - SAE 100R2AT/DIN EN 853 2SN

**Balflex** **Balpac Premium** - SAE 100R16/ DIN EN 853 2SC. **Balpac 3000** - SAE 100R17/ DIN EN 853 1SC

**Balflex** textile braid hydraulic hose - SAE 100R3, SAE 100R6, DIN EN 854 1TE / 2TE / 3TE

**Balflex** thermoplastic hydraulic hoses - SAE100R7, SAE100R8 / DIN EN 855

**Balflex** PTFE stainless braid - 100R14

**Balflex** **2-MAX JACK / 3 MAX JACK**

**Balflex** **Balmaster** - SAE 100R12 / DIN EN 856 4SP - on 1 1/4", 1 1/2" & 2"

part number	hose dash	hose Ø	thread	thread dash	C Cut Off	Hex.
		inch				
23-0414-DKM	- 4	1/4"	M14 x 1,5	- 14	19.5	19
23-0416-DKM	- 4	1/4"	M16 x 1,5	- 16	19.5	19
23-0514-DKM	- 5	5/16"	M14 x 1,5	- 14	19.5	22
23-0516-DKM	- 5	5/16"	M16 x 1,5	- 16	20	22
23-0618-DKM	- 6	3/8"	M18 x 1,5	- 18	21.5	24
23-0818-DKM	- 8	1/2"	M18 x 1,5	- 18	22	24
23-0820-DKM	- 8	1/2"	M20 x 1,5	- 20	23.5	27
23-1024-DKM	- 10	5/8"	M24 x 1,5	- 24	26	30
23-1027-DKM	- 10	5/8"	M27 x 1,5	- 27	26	32
23-1230-DKM	- 12	3/4"	M30 x 1,5	- 30	26.5	36
23-1639-DKM	- 16	1"	M39 x 2,0	- 39	29.5	46
23-2045-DKM	- 20	1-1/4"	M45 x 2,0	- 45	31.5	55
23-2452-DKM	- 24	1-1/2"	M52 x 2,0	- 52	33	60

also available:

### Balfit<sup>®</sup> Stainless Steel Metric Female DKM

(add an 'S' at the end of the part number; ex: 23.5313.1027S)

#### Construction characteristics and dimensions may be changed at anytime without prior notice

The data contained herein is for information purposes only and does not enlarge, amend or imply any warranty other than provided by the manufacturer with the product.

Any use of the product not in conformance with the manufacturer's instruction may be dangerous

Only items in this catalog are carried in stock. Some items are subject to minimum quantities or sold in multiples of standard quantities. Please refer to the price list or contact our commercial department. Prices subject to change without notice.

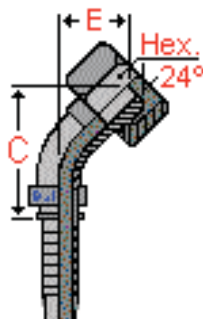
# Balfit® 23 Series - Metric 45° Female DKM Two Piece - Non Skive - Stems



BALFLEX - THE BEST NAME YOU CAN GET IN HOSE

## Balfit® Metric 45° Swept Female DKM – 60° Seat - 23.5343

one piece, carbon steel, metric thread, 60° cone 45 swept female fitting for crimping on high pressure hydraulic hoses



According to **DIN 20078** and **DIN 3868**

**Material:** Carbon Steel, Trivalent Zink Plated - Rohs Compliant

**Ferrules:** Balfit Ferrule Series - 20.100, 20.101, 20.107, 20.200, 20.201, 20.202, 20.301, 20.302, 20.305

**Hoses:** Balflex Balflex Forza Uno - SAE 100R1AT/DIN EN 853 2SN

Balflex Forza Due - SAE 100R2AT/DIN EN 853 2SN

Balflex Balpac Premium - SAE 100R16/ DIN EN 853 2SC. Balpac 3000 - SAE 100R17/ DIN EN 853 1SC

Balflex textile braid hydraulic hose - SAE 100R3, SAE 100R6, DIN EN 854 1TE / 2TE / 3TE

Balflex thermoplastic hydraulic hoses - SAE100R7, SAE100R8 / DIN EN 855

Balflex PTFE stainless braid - 100R14

Balflex 2-MAX JACK / 3 MAX JACK

Balflex Balmaster - SAE 100R12 / DIN EN 856 4SP - on 1 1/4", 1 1/2" & 2"

part number	hose dash	hose	thread	thread dash	C	Hex.
		Ø				
		inch			mm	mm
23-0414-DKM45	- 4	1/4"	M14 x 1,5	- 14	42.2	19
23-0416-DKM45	- 4	1/4"	M16 x 1,5	- 16	45.5	19
23-0514-DKM45	- 5	5/16"	M14 x 1,5	- 14	43.7	22
23-0516-DKM45	- 5	5/16"	M16 x 1,5	- 16	44.8	22
23-0618-DKM45	- 6	3/8"	M18 x 1,5	- 18	50	24
23-0818-DKM45	- 8	1/2"	M18 x 1,5	- 18	50	24
23-0820-DKM45	- 8	1/2"	M20 x 1,5	- 20	58.3	27
23-1024-DKM45	- 10	5/8"	M24 x 1,5	- 24	60.8	30
23-1027-DKM45	- 10	5/8"	M27 x 1,5	- 27	69.8	32
23-1230-DKM45	- 12	3/4"	M30 x 1,5	- 30	78.4	36
23-1639-DKM45	- 16	1"	M39 x 2,0	- 39	87	46
23-2045-DKM45	- 20	1-1/4"	M45 x 2,0	- 45	99	55
23-2452-DKM45	- 24	1-1/2"	M52 x 2,0	- 52	114	60

also available:

### Balfit® Stainless Steel Metric 45° Swept Female DKM Type

(add an 'S' at the end of the part number; ex: 23.5343.1027S)

#### Construction characteristics and dimensions may be changed at anytime without prior notice

The data contained herein is for information purposes only and does not enlarge, amend or imply any warranty other than provided by the manufacturer with the product.

Any use of the product not in conformance with the manufacturer's instruction may be dangerous

Only items in this catalog are carried in stock. Some items are subject to minimum quantities or sold in multiples of standard quantities. Please refer to the price list or contact our commercial department. Prices subject to change without notice.



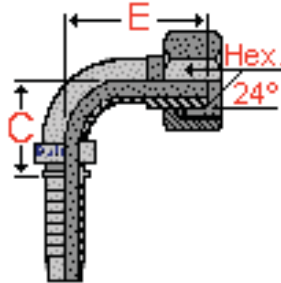


# Balfit<sup>®</sup> 23 Series - Metric 90° Female DKM Two Piece - Non Skive - Stems

BALFLEX - THE BEST NAME YOU CAN GET IN HOSE

## Balfit<sup>®</sup> Metric 90° Swept Female DKM – 60° Seat - 23.5393

one piece, carbon steel, metric thread, 60° cone 90 swept female fitting for crimping on high pressure hydraulic hoses



According to **DIN 20078** and **DIN 3868**

**Material:** Carbon Steel, Trivalent Zink Plated - Rohs Compliant

**Ferrules:** Balfit Ferrule Series - 20.100, 20.101, 20.107, 20.200, 20.201, 20.202, 20.301, 20.302, 20.305

**Hoses:** Balflex Balpac Premium - SAE 100R16/ DIN EN 853 2SC. Balpac 3000 - SAE 100R17/ DIN EN 853 1SC

Balflex Forza Due - SAE 100R22AT/DIN EN 853 2SN

Balflex Forza Uno - SAE 100R1AT/DIN EN 853 2SN

Balflex Balpac Premium - SAE 100R16/ DIN EN 853 2SC. Balpac 3000 - SAE 100R17/ DIN EN 853 1SC

Balflex textile braid hydraulic hose - SAE 100R3, SAE 100R6, DIN EN 854 1TE / 2TE / 3TE

Balflex thermoplastic hydraulic hoses - SAE100R7, SAE100R8 / DIN EN 855

Balflex PTFE stainless braid - 100R14

Balflex 2-MAX JACK / 3 MAX JACK

Balflex Balmaster - SAE 100R12 / DIN EN 856 4SP - on 1 1/4", 1 1/2" & 2"

part number	hose dash	hose Ø	thread	thread dash		C Cut Off	Hex.
		inch				mm	mm
23-0414-DKM90	- 4	1/4"	M14 x 1,5	- 14		30	19
23-0416-DKM90	- 4	1/4"	M16 x 1,5	- 16		30	19
23-0514-DKM90	- 5	5/16"	M14 x 1,5	- 14		30	22
23-0516-DKM90	- 5	5/16"	M16 x 1,5	- 16		33	22
23-0618-DKM90	- 6	3/8"	M18 x 1,5	- 18		36.5	24
23-0818-DKM90	- 8	1/2"	M18 x 1,5	- 18		43.5	24
23-0820-DKM90	- 8	1/2"	M20 x 1,5	- 20		55	27
23-1024-DKM90	- 10	5/8"	M24 x 1,5	- 24		64	30
23-1027-DKM90	- 10	5/8"	M27 x 1,5	- 27		74	32
23-1230-DKM90	- 12	3/4"	M30 x 1,5	- 30		91.5	36
23-1639-DKM90	- 16	1"	M39 x 2,0	- 39		109	46
23-2045-DKM90	- 20	1-1/4"	M45 x 2,0	- 45		115	55
23-2452-DKM90	- 24	1-1/2"	M52 x 2,0	- 52		123	60

also available:

### Balfit<sup>®</sup> Stainless Steel Metric 90° Swept Female DKM type

(add an 'S' at the end of the part number; ex: 23.5393.1026S)

#### Construction characteristics and dimensions may be changed at anytime without prior notice

The data contained herein is for information purposes only and does not enlarge, amend or imply any warranty other than provided by the manufacturer with the product.

Any use of the product not in conformance with the manufacturer's instruction may be dangerous

Only items in this catalog are carried in stock. Some items are subject to minimum quantities or sold in multiples of standard quantities. Please refer to the price list or contact our commercial department. Prices subject to change without notice.

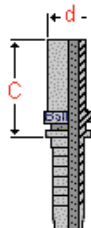
# Balfit<sup>®</sup> 23 Series - Metric Straight Standpipe Two Piece - Non Skive - Stems



BALFLEX - THE BEST NAME YOU CAN GET IN HOSE

## Balfit<sup>®</sup> Metric Straight Standpipe - 23.6000

carbon steel, metric straight standpipe fitting for crimping on high pressure hydraulic hoses



According to **DIN 2353**

**Material:** Carbon Steel, Trivalent Zink Plated - Rohs Compliant

**Ferrules:** Balfit Ferrule Series - 20.100, 20.101, 20.107, 20.200, 20.201, 20.202, 20.301, 20.302, 20.305

**Hoses:** Balflex Balflex Forza Uno - SAE 100R1AT/DIN EN 853 2SN

Balflex Forza Due - SAE 100R2AT/DIN EN 853 2SN

Balflex Balpac Premium - SAE 100R16/ DIN EN 853 2SC. Balpac 3000 - SAE 100R17/ DIN EN 853 1SC

Balflex textile braid hydraulic hose - SAE 100R3, SAE 100R6, DIN EN 854 1TE / 2TE / 3TE

Balflex thermoplastic hydraulic hoses - SAE100R7, SAE100R8 / DIN EN 855

Balflex PTFE stainless braid - 100R14

Balflex 2-MAX JACK / 3 MAX JACK

Balflex Balmaster - SAE 100R12 / DIN EN 856 4SP - on 1 1/4", 1 1/2" & 2"

part number	hose dash	hose Ø	standpipe Ø	standpipe dash	C Cut Off	d
		inch	mm			
23-0306-MSS	- 3	3/16"	6	- 6	30	6
23-0308-MSS	- 3	3/16"	8	- 8	29	8
23-0406-MSS	- 4	1/4"	6	- 6	32	6
23-0408-MSS	- 4	1/4"	8	- 8	30	8
23-0410-MSS	- 4	1/4"	10	- 10	33	10
23-0412-MSS	- 4	1/4"	12	- 12	30	12
23-0510-MSS	- 5	5/16"	10	- 10	31	10
23-0512-MSS	- 5	5/16"	12	- 12	33	12
23-0610-MSS	- 6	3/8"	10	- 10	33	10
23-0612-MSS	- 6	3/8"	12	- 12	32	12
23-0614-MSS	- 6	3/8"	14	- 14	37	14
23-0615-MSS	- 6	3/8"	15	- 15	32	15
23-0815-MSS	- 8	1/2"	15	- 15	34	15
23-0816-MSS	- 8	1/2"	16	- 16	39	16
23-0818-MSS	- 8	1/2"	18	- 18	35	18
23-1018-MSS	- 10	5/8"	18	- 18	35	18
23-1020-MSS	- 10	5/8"	20	- 20	45	20
23-1022-MSS	- 10	5/8"	22	- 22	33	22
23-1220-MSS	- 12	3/4"	20	- 20	46	20
23-1222-MSS	- 12	3/4"	22	- 22	38	22
23-1225-MSS	- 12	3/4"	25	- 25	49	25
23-1625-MSS	- 16	1"	25	- 25	51	25
23-1628-MSS	- 16	1"	28	- 28	41	28
23-1630-MSS	- 16	1"	30	- 30	54	30
23-2035-MSS	- 20	1.1/4"	35	- 35	48	35
23-2038-MSS	- 20	1.1/4"	38	- 38	62	38
23-2438-MSS	- 24	1.1/2"	38	- 38	63	38
23-2442-MSS	- 24	1.1/2"	42	- 42	50	42

also available:

### Balfit<sup>®</sup> Stainless Steel Metric Straight Standpipe

**Construction characteristics and dimensions may be changed at anytime without prior notice**

The data contained herein is for information purposes only and does not enlarge, amend or imply any warranty other than provided by the manufacturer with the product.

Any use of the product not in conformance with the manufacturer's instruction may be dangerous

Only items in this catalog are carried in stock. Some items are subject to minimum quantities or sold in multiples of standard quantities. Please refer to the price list or contact our commercial department. Prices subject to change without notice.

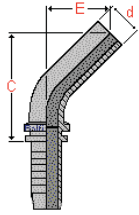


# Balfit<sup>®</sup> 23 Series - Metric 45° Standpipe Two Piece - Non Skive - Stems

BALFLEX - THE BEST NAME YOU CAN GET IN HOSE

## Balfit<sup>®</sup> Metric 45° Swept Standpipe - 23.6040

**solid-piece**, carbon steel, metric 45 Swept standpipe fitting for crimping on high pressure hydraulic hoses



According to **DIN 2353**

**Material:** Carbon Steel, Trivalent Zink Plated - Rohs Compliant

**Ferrules:** Balfit Ferrule Series - 20.100, 20.101, 20.107, 20.200, 20.201, 20.202, 20.301, 20.302, 20.305

**Hoses:** Balflex Balflex Forza Uno - SAE 100R1AT/DIN EN 853 2SN

Balflex Forza Due - SAE 100R2AT/DIN EN 853 2SN

Balflex Balpac Premium - SAE 100R16/ DIN EN 853 2SC. Balpac 3000 - SAE 100R17/ DIN EN 853 1SC

Balflex textile braid hydraulic hose - SAE 100R3, SAE 100R6, DIN EN 854 1TE / 2TE / 3TE

Balflex thermoplastic hydraulic hoses - SAE100R7, SAE100R8 / DIN EN 855

Balflex PTFE stainless braid - 100R14

Balflex 2-MAX JACK / 3 MAX JACK

Balflex Balmaster - SAE 100R12 / DIN EN 856 4SP - on 1 1/4", 1 1/2" & 2"

part number	hose dash	hose Ø	standpipe Ø	standpipe dash	E	C Cut Off	d
		inch	mm		mm	mm	mm
23-0306-MS45	- 3	3/16"	6	- 6	26	38	6
23-0308-MS45	- 3	3/16"	8	- 8	26	38	8
23-0406-MS45	- 4	1/4"	6	- 6	30	47	6
23-0408-MS45	- 4	1/4"	8	- 8	29	46	8
23-0410-MS45	- 4	1/4"	10	- 10	30	47	10
23-0412-MS45	- 4	1/4"	12	- 12	30	47	12
23-0510-MS45	- 5	5/16"	10	- 10	34	58	10
23-0512-MS45	- 5	5/16"	12	- 12	35	59	12
23-0610-MS45	- 6	3/8"	10	- 10	34	60	10
23-0612-MS45	- 6	3/8"	12	- 12	34	60	12
23-0614-MS45	- 6	3/8"	14	- 14	37	63	14
23-0615-MS45	- 6	3/8"	15	- 15	34	60	15
23-0815-MS45	- 8	1/2"	15	- 15	39	71	15
23-0816-MS45	- 8	1/2"	16	- 16	43	75	16
23-0818-MS45	- 8	1/2"	18	- 18	32	61	18
23-1018-MS45	- 10	5/8"	18	- 18	32	61	18
23-1020-MS45	- 10	5/8"	20	- 20	34	62	20
23-1022-MS45	- 10	5/8"	22	- 22	35	68	22
23-1220-MS45	- 12	3/4"	20	- 20	35	68	20
23-1222-MS45	- 12	3/4"	22	- 22	35	68	22
23-1225-MS45	- 12	3/4"	25	- 25	39	75	25
23-1625-MS45	- 16	1"	25	- 25	39	74	25
23-1628-MS45	- 16	1"	28	- 28	38	73	28
23-1630-MS45	- 16	1"	30	- 30	43	84	30
23-2035-MS45	- 20	1.1/4"	35	- 35	45	93	35
23-2038-MS45	- 20	1.1/4"	38	- 38	50	94	38
23-2438-MS45	- 24	1.1/2"	38	- 38	50	94	38
23-2442-MS45	- 24	1.1/2"	42	- 42	57	113	42

also available:

**Balfit<sup>®</sup> Stainless Steel Metric 45° Swept Standpipe** (add an 'S' at the end of the part number; ex: 23.6040.0612 S)

**Construction characteristics and dimensions may be changed at anytime without prior notice**

The data contained herein is for information purposes only and does not enlarge, amend or imply any warranty other than provided by the manufacturer with the product.

Any use of the product not in conformance with the manufacturer's instruction may be dangerous

Only items in this catalog are carried in stock. Some items are subject to minimum quantities or sold in multiples of standard quantities. Please refer to the price list or contact our commercial department. Prices subject to change without notice.

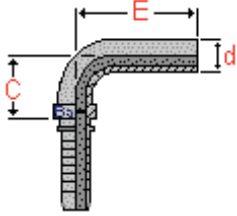
# Balfit® 23 Series - Metric 90° Standpipe Two Piece - Non Skive - Stems



BALFLEX - THE BEST NAME YOU CAN GET IN HOSE

## Balfit® Metric 90° Swept Standpipe - 23.6090

*solid-piece, carbon steel, metric 90 Swept standpipe fitting for crimping on high pressure hydraulic hoses*



According to **DIN 2353**

**Material:** Carbon Steel, Trivalent Zink Plated - Rohs Compliant

**Ferrules:** Balfit Ferrule Series - 20.100, 20.101, 20.107, 20.200, 20.201, 20.202, 20.301, 20.302, 20.305

**Hoses:** Balflex Balpac Forza Uno - SAE 100R1AT/DIN EN 853 2SN

Balflex Forza Due - SAE 100R2AT/DIN EN 853 2SN

Balflex Balpac Premium - SAE 100R16/ DIN EN 853 2SC. Balpac 3000 - SAE 100R17/ DIN EN 853 1SC

Balflex textile braid hydraulic hose - SAE 100R3, SAE 100R6, DIN EN 854 1TE / 2TE / 3TE

Balflex thermoplastic hydraulic hoses - SAE100R7, SAE100R8 / DIN EN 855

Balflex PTFE stainless braid - 100R14

Balflex 2-MAX JACK / 3 MAX JACK

Balflex Balmaster - SAE 100R12 / DIN EN 856 4SP - on 1 1/4", 1 1/2" & 2"

part number	hose dash	hose Ø	standpipe Ø	standpipe dash	E	C Cut Off	D
		inch	Mm		mm	mm	Mm
23-0306-MS90	- 3	3/16"	6	- 6	32	22	6
23-0308-MS90	- 3	3/16"	8	- 8	32	22	8
23-0406-MS90	- 4	1/4"	6	- 6	35	25	6
23-0408-MS90	- 4	1/4"	8	- 8	34	25	8
23-0410-MS90	- 4	1/4"	10	- 10	37	25	10
23-0412-MS90	- 4	1/4"	12	- 12	37	25	12
23-0510-MS90	- 5	5/16"	10	- 10	40	29	10
23-0512-MS90	- 5	5/16"	12	- 12	42	29	12
23-0610-MS90	- 6	3/8"	10	- 10	40	33	10
23-0612-MS90	- 6	3/8"	12	- 12	40	33	12
23-0614-MS90	- 6	3/8"	14	- 14	45	33	14
23-0615-MS90	- 6	3/8"	15	- 15	41	33	15
23-0815-MS90	- 8	1/2"	15	- 15	46	39	15
23-0816-MS90	- 8	1/2"	16	- 16	51	39	16
23-0818-MS90	- 8	1/2"	18	- 18	57	42	18
23-1018-MS90	- 10	5/8"	18	- 18	57	42	18
23-1020-MS90	- 10	5/8"	20	- 20	66	48	20
23-1022-MS90	- 10	5/8"	22	- 22	71	53	22
23-1220-MS90	- 12	3/4"	20	- 20	66	49	20
23-1222-MS90	- 12	3/4"	22	- 22	71	54	22
23-1225-MS90	- 12	3/4"	25	- 25	76	57	25
23-1625-MS90	- 16	1"	25	- 25	76	58	25
23-1628-MS90	- 16	1"	28	- 28	84	65	28
23-1630-MS90	- 16	1"	30	- 30	89	66	30
23-2035-MS90	- 20	1.1/4"	35	- 35	97	77	35
23-2038-MS90	- 20	1.1/4"	38	- 38	106	81	38
23-2438-MS90	- 24	1.1/2"	38	- 38	106	81	38
23-2442-MS90	- 24	1.1/2"	42	- 42	118	92	42

also available:

**Balfit® Stainless Steel Metric 90° Swept Standpipe** (add an 'S' at the end of the part number; ex: 23.6090.0612 S)

**Construction characteristics and dimensions may be changed at anytime without prior notice**

The data contained herein is for information purposes only and does not enlarge, amend or imply any warranty other than provided by the manufacturer with the product.

Any use of the product not in conformance with the manufacturer's instruction may be dangerous

Only items in this catalog are carried in stock. Some items are subject to minimum quantities or sold in multiples of standard quantities. Please refer to the price list or contact our commercial department. Prices subject to change without notice.

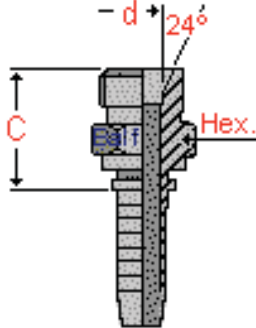


# Balfit<sup>®</sup> 23 Series - French Metric Male Two Piece - Non Skive - Stems

BALFLEX - THE BEST NAME YOU CAN GET IN HOSE

## Balfit<sup>®</sup> Metric French Male - 23.1200

carbon steel, metric (French metric thread, 24° cone) male fitting for crimping on high pressure hydraulic hoses



- Material:** Carbon Steel, Trivalent Zink Plated - RoHS Compliant  
**Ferrules:** Balfit Ferrule Series - 20.100, 20.101, 20.107, 20.200, 20.201, 20.202, 20.301, 20.302, 20.305  
**Hoses:** Balflex Balflex Forza Uno - SAE 100R1AT/DIN EN 853 2SN  
 Balflex Forza Due - SAE 100R2AT/DIN EN 853 2SN  
 Balflex Balpac Premium - SAE 100R16/ DIN EN 853 2SC. Balpac 3000 - SAE 100R17/ DIN EN 853 1SC  
 Balflex textile braid hydraulic hose - SAE 100R3, SAE 100R6, DIN EN 854 1TE / 2TE / 3TE  
 Balflex thermoplastic hydraulic hoses - SAE100R7, SAE100R8 / DIN EN 855  
 Balflex PTFE stainless braid - 100R14  
 Balflex 2-MAX JACK / 3 MAX JACK  
 Balflex Balmaster - SAE 100R12 / DIN EN 856 4SP - on 1 1/4", 1 1/2" & 2"

part number	hose dash	hose Ø	thread	thread dash	d - tube	C Cut Off	Hex.
		inch			mm	mm	mm
23-0520-MFM	- 5	5/16"	M20 x 1,5	- 20	13,25	26	22
23-0620-MFM	- 6	3/8"	M20 x 1,5	- 20	13,25	26	22
23-0824-MFM	- 8	1/2"	M24 x 1,5	- 24	16,75	27	24
23-1030-MFM	- 10	5/8"	M30 x 1,5	- 30	21,25	31	32
23-1230-MFM	- 12	3/4"	M30 x 1,5	- 30	21,25	32	32
23-1236-MFM	- 12	3/4"	M36 x 1,5	- 36	26,75	33	36
23-1645-MFM	- 16	1"	M45 x 1,5	- 45	33,5	38	46

also available:

### Balfit<sup>®</sup> Stainless Steel Metric French Male

(add an 'S' at the end of the part number; ex: 23.1200.0620 S)

#### Construction characteristics and dimensions may be changed at anytime without prior notice

The data contained herein is for information purposes only and does not enlarge, amend or imply any warranty other than provided by the manufacturer with the product.

Any use of the product not in conformance with the manufacturer's instruction may be dangerous

Only items in this catalog are carried in stock. Some items are subject to minimum quantities or sold in multiples of standard quantities. Please refer to the price list or contact our commercial department. Prices subject to change without notice.

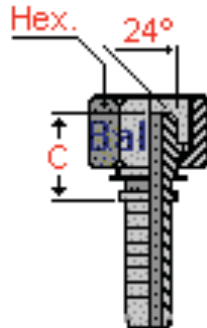
# Balfit<sup>®</sup> 23 Series - French Metric Female Two Piece - Non Skive - Stems



BALFLEX - THE BEST NAME YOU CAN GET IN HOSE

## Balfit<sup>®</sup> Metric French Female - 23.5513

carbon steel, metric (French metric thread, 24° cone) female fitting for crimping on high pressure hydraulic hoses



- Material:** Carbon Steel, Trivalent Zink Plated - Rohs Compliant  
**Ferrules:** Balfit Ferrule Series - 20.100, 20.101, 20.107, 20.200, 20.201, 20.202, 20.301, 20.302, 20.305  
**Hoses:** Balflex Balflex Forza Uno - SAE 100R1AT/DIN EN 853 2SN  
 Balflex Forza Due - SAE 100R2AT/DIN EN 853 2SN  
 Balflex Balpac Premium - SAE 100R16/ DIN EN 853 2SC. Balpac 3000 - SAE 100R17/ DIN EN 853 1SC  
 Balflex textile braid hydraulic hose - SAE 100R3, SAE 100R6, DIN EN 854 1TE / 2TE / 3TE  
 Balflex thermoplastic hydraulic hoses - SAE100R7, SAE100R8 / DIN EN 855  
 Balflex PTFE stainless braid - 100R14  
 Balflex 2-MAX JACK / 3 MAX JACK  
 Balflex Balmaster - SAE 100R12 / DIN EN 856 4SP - on 1 1/4", 1 1/2" & 2"

part number	hose dash	hose Ø	thread	thread dash	d - tube	C Cut Off	Hex.
		inch			mm	mm	mm
23-0520-MFF	- 5	5/16"	M20 x 1,5	- 20	13,25	20	24
23-0620-MFF	- 6	3/8"	M20 x 1,5	- 20	13,25	20	24
23-0824-MFF	- 8	1/2"	M24 x 1,5	- 24	16,75	27	30
23-1030-MFF	- 10	5/8"	M30 x 1,5	- 30	21,25	26	36
23-1230-MFF	- 12	3/4"	M30 x 1,5	- 30	21,25	26	36
23-1236-MFF	- 12	3/4"	M36 x 1,5	- 36	26,75	37	46
23-1645-MFF	- 16	1"	M45 x 1,5	- 45	33,5	30	55

also available:

### Balfit<sup>®</sup> Stainless Steel Metric French Female

(add an 'S' at the end of the part number; ex: 23.5513.0620 S)

#### Construction characteristics and dimensions may be changed at anytime without prior notice

The data contained herein is for information purposes only and does not enlarge, amend or imply any warranty other than provided by the manufacturer with the product.

Any use of the product not in conformance with the manufacturer's instruction may be dangerous

Only items in this catalog are carried in stock. Some items are subject to minimum quantities or sold in multiples of standard quantities. Please refer to the price list or contact our commercial department. Prices subject to change without notice.

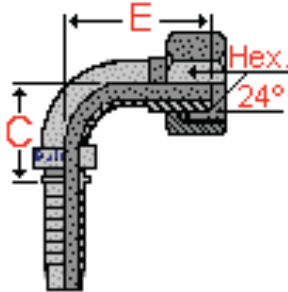


# Balfit<sup>®</sup> 23 Series - Metric 90° Female Two Piece - Non Skive - Stems

BALFLEX - THE BEST NAME YOU CAN GET IN HOSE

## Balfit<sup>®</sup> Metric 90° Swept Female - 23.5593

*solid-piece, carbon steel, metric (French metric thread, 24° cone) 90 Swept female fitting for crimping on high pressure hydraulic hoses*



**Material:** Carbon Steel, Trivalent Zink Plated - Rohs Compliant

**Ferrules:** Balfit Ferrule Series - 20.100, 20.101, 20.107, 20.200, 20.201, 20.202, 20.301, 20.302, 20.305

**Hoses:** Balflex Balflex Forza Uno - SAE 100R1AT/DIN EN 853 2SN

Balflex Forza Due - SAE 100R2AT/DIN EN 853 2SN

Balflex Balpac Premium - SAE 100R16/ DIN EN 853 2SC. Balpac 3000 - SAE 100R17/ DIN EN 853 1SC

Balflex textile braid hydraulic hose - SAE 100R3, SAE 100R6, DIN EN 854 1TE / 2TE / 3TE

Balflex thermoplastic hydraulic hoses - SAE100R7, SAE100R8 / DIN EN 855

Balflex PTFE stainless braid - 100R14

Balflex 2-MAX JACK / 3 MAX JACK

Balflex Balmaster - SAE 100R12 / DIN EN 856 4SP - on 1 1/4", 1 1/2" & 2"

part number	hose dash	hose Ø	thread	thread dash	d - tube	C Cut Off	E	Hex.
		inch			mm	mm	mm	mm
23-0520-MF90	- 5	5/16"	M20 x 1,5	- 20	13,25	29	35	24
23-0620-MF90	- 6	3/8"	M20 x 1,5	- 20	13,25	34	32	24
23-0824-MF90	- 8	1/2"	M24 x 1,5	- 24	16,75	42	37	30
23-1030-MF90	- 10	5/8"	M30 x 1,5	- 30	21,25	46	46	36
23-1236-MF90	- 12	3/4"	M36 x 1,5	- 36	26,75	58	51	46

also available:

### Balfit<sup>®</sup> Stainless Steel Metric 90° Swept French Female

(add an 'S' at the end of the part number; ex: 23.5593.0620 S)

#### Construction characteristics and dimensions may be changed at anytime without prior notice

The data contained herein is for information purposes only and does not enlarge, amend or imply any warranty other than provided by the manufacturer with the product.

Any use of the product not in conformance with the manufacturer's instruction may be dangerous

Only items in this catalog are carried in stock. Some items are subject to minimum quantities or sold in multiples of standard quantities. Please refer to the price list or contact our commercial department. Prices subject to change without notice.

# Balfit® 23 Series - J I S

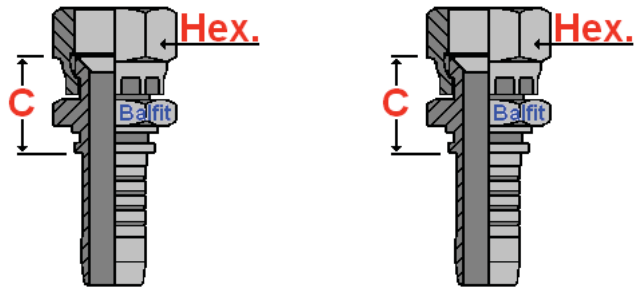
## Two Piece - Non Skive - Stems



BALFLEX - THE BEST NAME YOU CAN GET IN HOSE

### Balfit® JIS Japanese 60° Cone Metric and Whitworth Females 23.5911 and 23.3712

carbon steel JIS (60° cone) straight female fitting for crimping on high pressure hydraulic hoses



According to **JIS B 8363**

- Material:** Carbon Steel, Trivalent Zink Plated - Rohs Compliant  
**Ferrules:** Balfit Ferrule Series - 20.100, 20.101, 20.107, 20.200, 20.201, 20.202, 20.301, 20.302, 20.305  
**Hoses:** Balflex Balflex Forza Uno - SAE 100R1AT/DIN EN 853 2SN  
 Balflex Forza Due - SAE 100R2AT/DIN EN 853 2SN  
 Balflex Balpac Premium - SAE 100R16/ DIN EN 853 2SC. Balpac 3000 - SAE 100R17/ DIN EN 853 1SC  
 Balflex textile braid hydraulic hose - SAE 100R3, SAE 100R6, DIN EN 854 1TE / 2TE / 3TE  
 Balflex thermoplastic hydraulic hoses - SAE100R7, SAE100R8 / DIN EN 855  
 Balflex PTFE stainless braid - 100R14  
 Balflex 2-MAX JACK / 3 MAX JACK  
 Balflex Balmaster - SAE 100R12 / DIN EN 856 4SP - on 1 1/4", 1 1/2" & 2"

part number	part number	hose dash	hose Ø	thread	thread dash	C Cut Off	Hex.
metric	whitworth		inch			mm	mm
23-0414-JISM		- 4	1/4"	M14 x 1,5	-14	21	19
23-0516-JISM		- 5	5/16"	M16 x 1,5	-16	24	17
23-0618-JISM		- 6	3/8"	M18 x 1,5	-18	25	24
23-0822-JISM		- 8	1/2"	M22 x 1,5	-22	26	27
23-1024-JISM		- 10	5/8"	M24 x 1,5	-24	28	30
23-1230-JISM		- 12	3/4"	M30 x 1,5	-30	28	36
23-1633-JISM		- 16	1"	M33 x 1,5	-33	32	41
23-2036-JISM		- 20	1.1/4"	M36 x 1,5	-36	33	36
23-2442-JISM		- 24	1.1/2"	M42 x 1,5	-42	40	50
	23-0404-JIS	- 4	1/4"	1/4" - 19	-4	21	19
	23-0606-JIS	- 6	3/8"	3/8" - 19	-6	24	22
	23-0808-JIS	- 8	1/2"	1/2" - 14	-8	27	27
	23-1212-JIS	- 12	3/4"	3/4" - 14	-12	32	29
	23-1616-JIS	- 16	1"	1" - 11	-16	33	38
	23-2020-JIS	- 20	1.1/4"	1.1/4" - 11	-20	43	50
	23-2424-JIS	- 24	1.1/2"	1.1/2" - 11	-24	38	55

also available:

### Balfit® Stainless Steel JIS Japanese 60° Cone Metric and Whitworth Females

(add an 'S' at the end of the part number; ex: 23.5911.0618 S and 23.3712.0606 S)

#### Construction characteristics and dimensions may be changed at anytime without prior notice

The data contained herein is for information purposes only and does not enlarge, amend or imply any warranty other than provided by the manufacturer with the product.

Any use of the product not in conformance with the manufacturer's instruction may be dangerous

Only items in this catalog are carried in stock. Some items are subject to minimum quantities or sold in multiples of standard quantities. Please refer to the price list or contact our commercial department. Prices subject to change without notice.



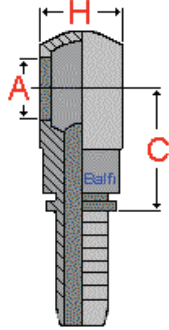


# Balfit<sup>®</sup> 23 Series - Metric BSP Banjo Two Piece - Non Skive - Stems

BALFLEX - THE BEST NAME YOU CAN GET IN HOSE

## Balfit<sup>®</sup> Metric Banjo - 23.6400

carbon steel, metric Banjo fitting for crimping on high pressure hydraulic hoses



According to **DIN 7642** type **B**

**Material:** Carbon Steel, Trivalent Zink Plated - Rohs Compliant

**Ferrules:** Balfit Ferrule Series - 20.100, 20.101, 20.107, 20.200, 20.201, 20.202, 20.301, 20.302, 20.305

**Hoses:** Balflex Balflex Forza Uno - SAE 100R1AT/DIN EN 853 2SN

Balflex Forza Due - SAE 100R2AT/DIN EN 853 2SN

Balflex Balpac Premium - SAE 100R16/ DIN EN 853 2SC. Balpac 3000 - SAE 100R17/ DIN EN 853 1SC

Balflex textile braid hydraulic hose - SAE 100R3, SAE 100R6, DIN EN 854 1TE / 2TE / 3TE

Balflex thermoplastic hydraulic hoses - SAE100R7, SAE100R8 / DIN EN 855

Balflex PTFE stainless braid - 100R14

Balflex 2-MAX JACK / 3 MAX JACK

Balflex Balmaster - SAE 100R12 / DIN EN 856 4SP - on 1 1/4", 1 1/2" & 2"

part number	hose dash	hose	A	banjo dash	C	H
		Ø	bolt size			
		inch	mm		mm	mm
23-0310-MB	- 3	3/16"	10	- 10	17	10
23-0410-MB	- 4	1/4"	10	- 10	17	10
23-0412-MB	- 4	1/4"	12	- 12	21	12
23-0414-MB	- 4	1/4"	14	- 14	21	14
23-0416-MB	- 4	1/4"	16	- 16	21	16
23-0514-MB	- 5	5/16"	14	- 14	21	14
23-0516-MB	- 5	5/16"	16	- 16	21	16
23-0518-MB	- 5	5/16"	18	- 18	25	18
23-0614-MB	- 6	3/8"	14	- 14	21	14
23-0616-MB	- 6	3/8"	16	- 16	21	16
23-0618-MB	- 6	3/8"	18	- 18	25	18
23-0622-MB	- 6	3/8"	22	- 22	29	22
23-0816-MB	- 8	1/2"	16	- 16	27	16
23-0818-MB	- 8	1/2"	18	- 18	25	18
23-0822-MB	- 8	1/2"	22	- 22	29	22
23-1022-MB	- 10	5/8"	22	- 22	30	22
23-1026-MB	- 10	5/8"	26	- 26	36	26
23-1226-MB	- 12	3/4"	26	- 26	36	26
23-1630-MB	- 16	1"	30	- 30	40	30

also available:

### Balfit<sup>®</sup> Stainless Steel Metric Banjo

(add an 'S' at the end of the part number; ex: 23.6400.0616 S)

Construction characteristics and dimensions may be changed at any time without prior notice.

#### Construction characteristics and dimensions may be changed at anytime without prior notice

The data contained herein is for information purposes only and does not enlarge, amend or imply any warranty other than provided by the manufacturer with the product.

Any use of the product not in conformance with the manufacturer's instruction may be dangerous

Only items in this catalog are carried in stock. Some items are subject to minimum quantities or sold in multiples of standard quantities. Please refer to the price list or contact our commercial department. Prices subject to change without notice.

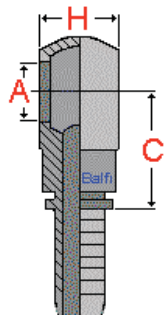
# Balfit® 23 Series - BSP Banjo Two Piece - Non Skive - Stems



BALFLEX - THE BEST NAME YOU CAN GET IN HOSE

## Balfit® BSP Banjo - 23.6500

carbon steel, BSP Banjo fitting for crimping on high pressure hydraulic hoses



According to **BS 5200**

- Material:** Carbon Steel, Trivalent Zink Plated - Rohs Compliant  
**Ferrules:** Balfit Ferrule Series - 20.100, 20.101, 20.107, 20.200, 20.201, 20.202, 20.301, 20.302, 20.305  
**Hoses:** Balflex Balflex Forza Uno - SAE 100R1AT/DIN EN 853 2SN  
 Balflex Forza Due - SAE 100R2AT/DIN EN 853 2SN  
 Balflex Balpac Premium - SAE 100R16/ DIN EN 853 2SC. Balpac 3000 - SAE 100R17/ DIN EN 853 1SC  
 Balflex textile braid hydraulic hose - SAE 100R3, SAE 100R6, DIN EN 854 1TE / 2TE / 3TE  
 Balflex thermoplastic hydraulic hoses - SAE100R7, SAE100R8 / DIN EN 855  
 Balflex PTFE stainless braid - 100R14  
 Balflex 2-MAX JACK / 3 MAX JACK  
 Balflex Balmaster - SAE 100R12 / DIN EN 856 4SP - on 1 1/4", 1 1/2" & 2"

part number	hose dash	hose Ø	A bolt size	banjo dash		C Cut Off	H
		inch	Inch			mm	mm
23-0302-BSPB	- 3	3/16"	1/8"	- 2		18	10,2
23-0304-BSPB	- 3	3/16"	1/4"	- 4		19	14
23-0404-BSPB	- 4	1/4"	1/4"	- 4		19	14
23-0406-BSPB	- 4	1/4"	3/8"	- 6		22	17
23-0504-BSPB	- 5	5/16"	1/4"	- 4		20	14
23-0506-BSPB	- 5	5/16"	3/8"	- 6		22	17
23-0604-BSPB	- 6	3/8"	1/4"	- 4		20	14
23-0606-BSPB	- 6	3/8"	3/8"	- 6		22	17
23-0608-BSPB	- 6	3/8"	1/2"	- 8		28	23,6
23-0806-BSPB	- 8	1/2"	3/8"	- 6		26	17
23-0808-BSPB	- 8	1/2"	1/2"	- 8		28	23,6
23-1010-BSPB	- 10	5/8"	5/8"	- 10		28	27
23-1212-BSPB	- 12	3/4"	3/4"	- 12		32	29
23-1216-BSPB	- 12	3/4"	1"	- 16		40	38
23-1616-BSPB	- 16	1"	1"	- 16		41	38

also available:

**Balfit® Stainless Steel BSP Banjo** (add an 'S' at the end of the part number; ex: 23.6500.0606 S)

### Construction characteristics and dimensions may be changed at anytime without prior notice

The data contained herein is for information purposes only and does not enlarge, amend or imply any warranty other than provided by the manufacturer with the product.

Any use of the product not in conformance with the manufacturer's instruction may be dangerous

Only items in this catalog are carried in stock. Some items are subject to minimum quantities or sold in multiples of standard quantities. Please refer to the price list or contact our commercial department. Prices subject to change without notice.

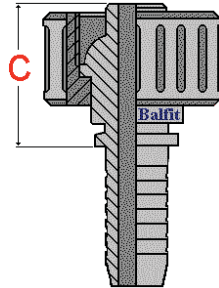


# Balfit<sup>®</sup> 23 Series - Washing Machine Brass Two Piece - Non Skive - Stems

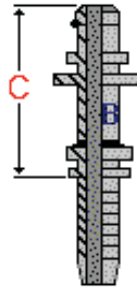
BALFLEX - THE BEST NAME YOU CAN GET IN HOSE

## Balfit<sup>®</sup> Washing Machine Brass Fittings - 23.6213 and 23.6214

brass fitting for crimping on high pressure hydraulic hoses



23.6213



23.6214

Brass Metric Female with Plastic Handle (Kaercher type) Standpipe with O'Ring (Kaercher type)

**Material:** Carbon Steel, Trivalent Zink Plated - Rohs Compliant

**Ferrules:** Balfit Ferrule Series - 20.100, 20.101, 20.107, 20.200, 20.201, 20.202, 20.301, 20.302, 20.305

**Hoses:** Balflex Balflex Forza Uno - SAE 100R1AT/DIN EN 853 2SN

Balflex Forza Due - SAE 100R2AT/DIN EN 853 2SN

Balflex Balpac Premium - SAE 100R16/ DIN EN 853 2SC. Balpac 3000 - SAE 100R17/ DIN EN 853 1SC

Balflex thermoplastic hydraulic hoses - SAE100R7, SAE100R8 / DIN EN 855

Balflex PTFE stainless braid - 100R14

Balflex Balwash Hose

part number	part number	hose dash	hose Ø	thread	thread dash	standpipe Ø	C Cut Off
female	standpipe		inch			mm	mm
23-0422-WMF		- 4	1/4"	M22 x 1,5	- 22		31
23-0522-WMF		- 5	5/16"	M22 x 1,5	- 22		31
23-0622-WMF		- 6	3/8"	M22 x 1,5	- 22		31
	23-04-WMS	- 4	1/4"			10	33
	23-05-WMS	- 5	5/16"			10	34

**Construction characteristics and dimensions may be changed at anytime without prior notice**

The data contained herein is for information purposes only and does not enlarge, amend or imply any warranty other than provided by the manufacturer with the product.

Any use of the product not in conformance with the manufacturer's instruction may be dangerous

Only items in this catalog are carried in stock. Some items are subject to minimum quantities or sold in multiples of standard quantities. Please refer to the price list or contact our commercial department. Prices subject to change without notice.

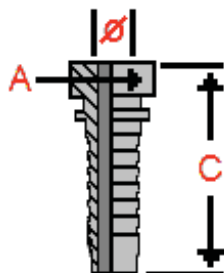
# Balfit® 23 Series - SOS Life Saver Two Piece - Non Skive - Stems



BALFLEX - THE BEST NAME YOU CAN GET IN HOSE

## Balfit® SOS Life Safer - 23.8150

carbon steel, SOS Life Safer fitting for crimping on high pressure hydraulic hoses



**Material:** Carbon Steel, Trivalent Zink Plated - Rohs Compliant

**Ferrules:** Balfit Ferrule Series - 20.100, 20.101, 20.107, 20.200, 20.201, 20.202, 20.301, 20.302, 20.305

**Hoses:** Balflex Balflex Forza Uno - SAE 100R1AT/DIN EN 853 2SN

Balflex Forza Due - SAE 100R2AT/DIN EN 853 2SN

Balflex Balpac Premium - SAE 100R16/ DIN EN 853 2SC. Balpac 3000 - SAE 100R17/ DIN EN 853 1SC

Balflex textile braid hydraulic hose - SAE 100R3, SAE 100R6, DIN EN 854 1TE / 2TE / 3TE

Balflex thermoplastic hydraulic hoses - SAE100R7, SAE100R8 / DIN EN 855

Balflex PTFE stainless braid - 100R14

Balflex 2-MAX JACK / 3 MAX JACK

Balflex Balmaster - SAE 100R12 / DIN EN 856 4SP - on 1 1/4", 1 1/2" & 2"

part number	hose dash	hose Ø	Ø	SOS dash		C	A
		inch	Mm			mm	mm
23-0404-SOS	- 4	1/4"	6	- 4		40	14
23-0606-SOS	- 6	3/8"	10	- 6		44	17
23-0808-SOS	- 8	1/2"	15	- 8		46	20
23-1010-SOS	- 10	5/8"	17	- 10		51	25
23-1212-SOS	- 12	3/4"	20	- 12		59	30
23-1616-SOS	- 16	1"	26	- 16		63	36

also available:

**Balfit® Stainless Steel SOS Life Safer** (add an 'S' at the end of the part number; ex: 23.8150.0606 S)

### Construction characteristics and dimensions may be changed at anytime without prior notice

The data contained herein is for information purposes only and does not enlarge, amend or imply any warranty other than provided by the manufacturer with the product.

Any use of the product not in conformance with the manufacturer's instruction may be dangerous

Only items in this catalog are carried in stock. Some items are subject to minimum quantities or sold in multiples of standard quantities. Please refer to the price list or contact our commercial department. Prices subject to change without notice.



# Balfit<sup>®</sup> 2- Piece Fittings

BALFLEX - THE BEST NAME YOU CAN GET IN HOSE

## Balfit<sup>®</sup> Hose Mender – 23.8100

carbon steel, Hose Mender fitting for crimping on high pressure hydraulic hoses



**Material :** carbon steel, zinc plated

**Ferrules :** Balfit<sup>®</sup> ferrules series 20.100, 20.200, 20.101, 20.201, 20.202, 20.204, 20.205 and 20.107

**Hoses :** Balflex<sup>®</sup> wire braid hydraulic hoses SAE 100R1A / SAE 100R2A / DIN EN 853 1ST / 2ST

Balflex<sup>®</sup> wire braid hydraulic hoses SAE 100R1AT / SAE 100R2AT / DIN EN 853 1SN / 2SN

Balflex<sup>®</sup> thermoplastic hydraulic hoses SAE 100R7 / SAE 100R8 / DIN EN 855

Balflex<sup>®</sup> Balpac compact hydraulic hoses SAE 100R16 / SAE 100R17 / DIN EN 857 1SC / 2SC

Balflex<sup>®</sup> textile braid hydraulic hoses SAE 100R6 / SAE 100R3 / DIN EN 854 1TE / 2TE / 3TE

Balflex<sup>®</sup> Balwash Hoses

Balflex<sup>®</sup> 2 – MAX JACK / 3 – MAX

part number	hose dash	hose	C
		∅	
		inch	mm
23-03-HM	- 3	3/16"	10
23-04-HM	- 4	1/4"	12
23-05-HM	- 5	5/16"	14
23-06-HM	- 6	3/8"	16
23-08-HM	- 8	1/2"	20
23-10-HM	- 10	5/8"	24
23-12-HM	- 12	3/4"	26
23-16-HM	- 16	1"	32

### Construction characteristics and dimensions may be changed at anytime without prior notice

The data contained herein is for information purposes only and does not enlarge, amend or imply any warranty other than provided by the manufacturer with the product.

Any use of the product not in conformance with the manufacturer's instruction may be dangerous

Only items in this catalog are carried in stock. Some items are subject to minimum quantities or sold in multiples of standard quantities. Please refer to the price list or contact our commercial department. Prices subject to change without notice.

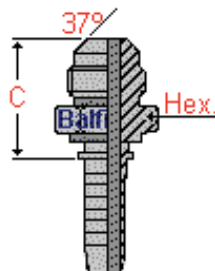
# Balfit<sup>®</sup> 24 Series - MJIC - Male Two Piece - Skive - High Pressure Stems



Skive: 100R12, 4SH, 4SP

## Balfit<sup>®</sup> Spiral JIC Male 37° - 24.2000

carbon steel, JIC American thread, 37° flared male for crimping on high pressure hydraulic hoses



According to **ISO 12151-5** and **ISO 8434-2** According to **SAE J516 / SAE J514**

**Material :** carbon steel, zinc plated

**Ferrules :** Balfit<sup>®</sup> ferrules series 20.400 and 20.403

**Hoses :** Balflex<sup>®</sup> Balmaster hoses **SAE 100R9R / SAE 100R12 / DIN EN 856 4SP**

may be also used on Balflex<sup>®</sup> Powerspir DIN EN 856 4SH hoses with Balfit ferrules series 20.403

part number	hose dash	hose Ø	thread	thread dash	C Cut Off	Hex.
		inch				
24-0808-MJ	- 8	1/2"	3/4" - 16	- 8	32	22
24-0810-MJ	- 8	1/2"	7/8" - 14	- 10	35	24
24-1010-MJ	- 10	5/8"	7/8" - 14	- 10	35	24
24-1012-MJ	- 10	5/8"	1-1/16" - 12	- 12	40	27
24-1212-MJ	- 12	3/4"	1-1/16" - 12	- 12	40	27
24-1214-MJ	- 12	3/4"	1-3/16" - 12	- 14	41	32
24-1216-MJ	- 12	3/4"	1-5/16" - 12	- 16	42	36
24-1616-MJ	- 16	1"	1-5/16" - 12	- 16	43	36
23-2020-MJ *	- 20	1-1/4"	1-5/8" - 12	- 20	49	46
23-2424-MJ *	- 24	1-1/2"	1-7/8" - 12	- 24	54	50
23-3232-MJ *	- 32	2"	2-1/2" - 12	- 32	72	65

\* On 1.1/4", 1.1/2" and 2" apply 23.2000

also available:

**Balfit<sup>®</sup> Stainless Steel Spiral JIC Male** (add an 'S' at the end of the part number; ex: 24.2000.0808 S)

### Construction characteristics and dimensions may be changed at anytime without prior notice

The data contained herein is for information purposes only and does not enlarge, amend or imply any warranty other than provided by the manufacturer with the product.

Any use of the product not in conformance with the manufacturer's instruction may be dangerous

Only items in this catalog are carried in stock. Some items are subject to minimum quantities or sold in multiples of standard quantities. Please refer to the price list or contact our commercial department. Prices subject to change without notice.

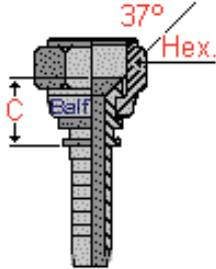


# Balfit® 24 Series - FJIC - Female Swivel Two Piece - Skive - High Pressure Stems

Skive: 100R12, 4SH, 4SP

## Balfit® Spiral JIC 37° Swivel Female - 24.4012

carbon steel, JIC American thread, 37° flared female for crimping on high pressure hydraulic hoses



According to **ISO 12151-5** and **ISO 8434-2** According to **SAE J516 / SAE J514**  
(see option 24.4H12.- for back hexagon)

**Material :** carbon steel, zinc plated

**Ferrules :** Balfit® ferrules series 20.400 and 20.403

**Hoses :** Balflex® Balmaster hoses **SAE 100R9R / SAE 100R12 / DIN EN 856 4SP**

may be also used on Balflex® Powerspir DIN EN 856 4SH hoses with Balfit ferrules series 20.403

part number	hose dash	hose Ø	thread	thread dash		C	Hex.
		inch				mm	mm
24-0808-FJNH	- 8	1/2"	3/4" – 16	- 8		18	24
24-0810-FJNH	- 8	1/2"	7/8" – 14	- 10		19	27
24-1010-FJNH	- 10	5/8"	7/8" – 14	- 10		20	27
24-1012-FJNH	- 10	5/8"	1-1/16" – 12	- 12		21	32
24-1212-FJNH	- 12	3/4"	1-1/16" – 12	- 12		21	32
24-1214-FJNH	- 12	3/4"	1-3/16" – 12	- 14		21	36
24-1216-FJNH	- 12	3/4"	1-5/16" – 12	- 16		22	41
24-1616-FJNH	- 16	1"	1-5/16" – 12	- 16		23	41
23-2020-FJNH *	- 20	1-1/4"	1-5/8" – 12	- 20		26	50
23-2424-FJNH *	- 24	1-1/2"	1-7/8" – 12	- 24		27	55
23-3232-FJNH *	- 32	2"	2-1/2" – 12	- 32		27	70

\* On 1.1/4", 1.1/2" and 2" apply 23.4012

also available:

### Balfit® Stainless Steel Spiral JIC Female

(add an 'S' at the end of the part number; ex: 24.4012.0808 S)

#### Construction characteristics and dimensions may be changed at anytime without prior notice

The data contained herein is for information purposes only and does not enlarge, amend or imply any warranty other than provided by the manufacturer with the product.

Any use of the product not in conformance with the manufacturer's instruction may be dangerous

Only items in this catalog are carried in stock. Some items are subject to minimum quantities or sold in multiples of standard quantities. Please refer to the price list or contact our commercial department. Prices subject to change without notice.

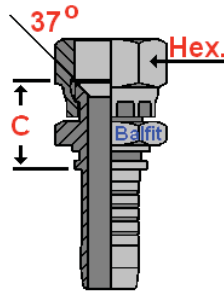
# Balfit® 24 Series - FJIC Female Swivel Two Piece - Skive - High Pressure Stems



Skive: 100R12, 4SH, 4SP

## Balfit® Spiral JIC 37° Swivel Female with Back Hexagon 24.4H12

carbon steel, JIC American thread, 37° flared female for crimping on high pressure hydraulic hoses



According to **ISO 12151-5** and **ISO 8434-2** According to **SAE J516 / SAE J514**

- Material :** carbon steel, zinc plated  
**Ferrules :** Balfit® ferrules series 20.400 and 20.403  
**Hoses :** Balflex® Balmaster hoses **SAE 100R9R / SAE 100R12 / DIN EN 856 4SP**  
 may be also used on Balflex® Powerspir DIN EN 856 4SH hoses with Balfit ferrules series 20.403

part number	hose dash	hose	thread	thread dash		C	Hex.
		∅				Cut Off	
		inch				mm	mm
24-0808-FJ	- 8	1/2"	3/4" – 16	- 8		25	24
24-0810-FJ	- 8	1/2"	7/8" – 14	- 10		29	27
24-1010-FJ	- 10	5/8"	7/8" – 14	- 10		29	27
24-1012-FJ	- 10	5/8"	1-1/16" – 12	- 12		32	32
24-1212-FJ	- 12	3/4"	1-1/16" – 12	- 12		31	32
24-1214-FJ	- 12	3/4"	1-3/16" – 12	- 14		33	36
24-1216-FJ	- 12	3/4"	1-5/16" – 12	- 16		34	41
24-1616-FJ	- 16	1"	1-5/16" – 12	- 16		35	41
23-2020-FJ *	- 20	1-1/4"	1-5/8" – 12	- 20		39	50
23-2424-FJ *	- 24	1-1/2"	1-7/8" – 12	- 24		41	55
23-3232-FJ *	- 32	2"	2-1/2" – 12	- 32		43	70

\* On 1.1/4", 1.1/2" and 2" apply 23.4H12

also available:

### Balfit® Stainless Steel Spiral JIC Female with back hexagon

(add an 'S' at the end of the part number; ex: 24.4H12.0808 S)

#### Construction characteristics and dimensions may be changed at anytime without prior notice

The data contained herein is for information purposes only and does not enlarge, amend or imply any warranty other than provided by the manufacturer with the product.

Any use of the product not in conformance with the manufacturer's instruction may be dangerous

Only items in this catalog are carried in stock. Some items are subject to minimum quantities or sold in multiples of standard quantities. Please refer to the price list or contact our commercial department. Prices subject to change without notice.



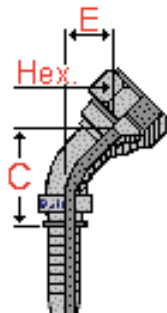


# Balfit® 24 Series - FJIC 45° Female Swivel Two Piece - Skive - High Pressure Stems

Skive: 100R12, 4SH, 4SP

## Balfit® Spiral JIC 37° - 45° Swept Swivel Female - 24.4042

*solid-piece, carbon steel, JIC American thread, 37° flared 45 Swept for crimping on high pressure hydraulic hoses*



According to **ISO 12151-5** and **ISO 8434-2** According to **SAE J516 / SAE J514**

**Material :** carbon steel, zinc plated

**Ferrules :** Balfit® ferrules series 20.400 and 20.403

**Hoses :** Balflex® Balmaster hoses **SAE 100R9R / SAE 100R12 / DIN EN 856 4SP**

may be also used on Balflex® Powerspir DIN EN 856 4SH hoses with Balfit ferrules series 20.403

part number	hose dash	hose Ø	thread	thread dash	C Cut Off	E	Hex.
		inch			mm	mm	mm
24-0808-FJ45	- 8	1/2"	3/4" - 16	- 8	65	22	24
24-0810-FJ45	- 8	1/2"	7/8" - 14	- 10	64	23	27
24-1010-FJ45	- 10	5/8"	7/8" - 14	- 10	68	24	27
24-1012-FJ45	- 10	5/8"	1-1/16" - 12	- 12	70	25	32
24-1212-FJ45	- 12	3/4"	1-1/16" - 12	- 12	84	28	32
24-1214-FJ45	- 12	3/4"	1-3/16" - 12	- 14	56	53	36
24-1216-FJ45	- 12	3/4"	1-5/16" - 12	- 16	88	30	41
24-1616-FJ45	- 16	1"	1-5/16" - 12	- 16	104	33	41
23-2020-FJ45 *	- 20	1-1/4"	1-5/8" - 12	- 20	104	45	50
23-2424-FJ45 *	- 24	1-1/2"	1-7/8" - 12	- 24	140	49	55
23-3232-FJ45 *	- 32	2"	2-1/2" - 12	- 32	170	68	70

\* On 1.1/4", 1.1/2" and 2" apply 23.4042

also available:

**Balfit®** Stainless Steel Spiral 45° Swept JIC Female (add an 'S' at the end of the part number; ex: 24.4042.0808 S)

### Construction characteristics and dimensions may be changed at anytime without prior notice

The data contained herein is for information purposes only and does not enlarge, amend or imply any warranty other than provided by the manufacturer with the product.

Any use of the product not in conformance with the manufacturer's instruction may be dangerous

Only items in this catalog are carried in stock. Some items are subject to minimum quantities or sold in multiples of standard quantities. Please refer to the price list or contact our commercial department. Prices subject to change without notice.

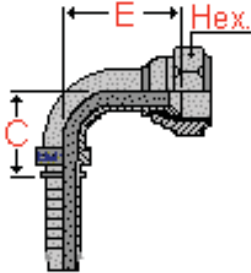
# Balfit® 24 Series - FJIC 90° Female Swivel Two Piece - Skive - High Pressure Stems



Skive: 100R12, 4SH, 4SP

## Balfit® Spiral JIC 37° - 90° Swept Swivel Female - 24.4092

*solid-piece, carbon steel, JIC American thread, 37° flared 90 Swept for crimping on high pressure hydraulic hoses*



According to **ISO 12151-5** and **ISO 8434-2** According to **SAE J516 / SAE J514**

**Material :** carbon steel, zinc plated

**Ferrules :** Balfit® ferrules series 20.400 and 20.403

**Hoses :** Balflex® Balmaster hoses **SAE 100R9R / SAE 100R12 / DIN EN 856 4SP**

may be also used on Balflex® Powerspir DIN EN 856 4SH hoses with Balfit ferrules series 20.403

part number	hose dash	hose	thread	thread dash	C	E	Hex.
		Ø			Cut Off		
		inch			mm	mm	mm
24-0808-FJ90	- 8	1/2"	3/4" - 16	- 8	39	42	24
24-0810-FJ90	- 8	1/2"	7/8" - 14	- 10	44	47	27
24-1010-FJ90	- 10	5/8"	7/8" - 14	- 10	46	46	27
24-1012-FJ90	- 10	5/8"	1-1/16" - 12	- 12	45	49	32
24-1212-FJ90	- 12	3/4"	1-1/16" - 12	- 12	56	54	32
24-1214-FJ90	- 12	3/4"	1-3/16" - 12	- 14	58	58	36
24-1216-FJ90	- 12	3/4"	1-5/16" - 12	- 16	63	62	41
24-1616-FJ90	- 16	1"	1-5/16" - 12	- 16	73	71	41
23-2020-FJ90 *	- 20	1-1/4"	1-5/8" - 12	- 20	85	88	50
23-2424-FJ90 *	- 24	1-1/2"	1-7/8" - 12	- 24	99	101	55
23-3232-FJ90 *	- 32	2"	2-1/2" - 12	- 32	125	124	70

\* On 1.1/4", 1.1/2" and 2" apply 23.4092

also available:

### Balfit® Stainless Steel Spiral 90 Swept JIC Female

(add an 'S' at the end of the part number; ex: 24.4092.1212 S)

#### Construction characteristics and dimensions may be changed at anytime without prior notice

The data contained herein is for information purposes only and does not enlarge, amend or imply any warranty other than provided by the manufacturer with the product.

Any use of the product not in conformance with the manufacturer's instruction may be dangerous

Only items in this catalog are carried in stock. Some items are subject to minimum quantities or sold in multiples of standard quantities. Please refer to the price list or contact our commercial department. Prices subject to change without notice.

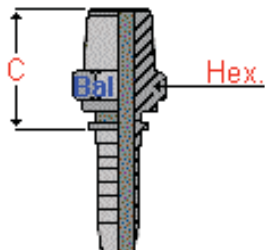


# Balfit® 24 Series - NPT Male Two Piece - Skive - High Pressure Stems

Skive: 100R12, 4SH, 4SP

## Balfit® Spiral NPT Male - 24.0400

carbon steel, NPT (dry-seal taper thread) male fitting for crimping on high pressure hydraulic hoses



According to **SAE J516 / SAE J514**

**Material :** carbon steel, zinc plated  
**Ferrules :** Balfit® ferrules series 20.400 and 20.403  
**Hoses :** Balflex® Balmaster hoses **SAE 100R9R / SAE 100R12 / DIN EN 856 4SP**  
 may be also used on Balflex® Powerspir DIN EN 856 4SH hoses with Balfit ferrules series 20.403

part number	hose dash	hose Ø	thread	thread dash		C Cut Off	Hex.
		inch				mm	mm
24-0808-MP	- 8	1/2"	1/2" – 14	- 8		35	22
24-1212-MP	- 12	3/4"	3/4" – 14	- 12		39	27
24-1616-MP	- 16	1"	1" – 11.5	- 16		45	36
23-2020-MP *	- 20	1-1/4"	1-1/4" – 11.5	- 20		49	46
23-2424-MP *	- 24	1-1/2"	1-1/2" – 11.5	- 24		51	50
23-3232-MP *	- 32	2"	2" – 11.5	- 32		55	65

\* On 1.1/4", 1.1/2" and 2" apply 23.0400

also available:

**Balfit® Stainless Steel Spiral NPT Male** (add an 'S' at the end of the part number; ex: 24.0400.0808 S)

### Construction characteristics and dimensions may be changed at anytime without prior notice

The data contained herein is for information purposes only and does not enlarge, amend or imply any warranty other than provided by the manufacturer with the product.

Any use of the product not in conformance with the manufacturer's instruction may be dangerous

Only items in this catalog are carried in stock. Some items are subject to minimum quantities or sold in multiples of standard quantities. Please refer to the price list or contact our commercial department. Prices subject to change without notice.

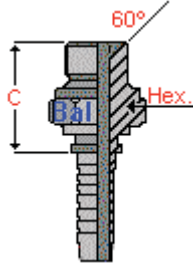
# Balfit® 24 Series - BSP Male Two Piece - Skive - High Pressure Stems



Skive: 100R12, 4SH, 4SP

## Balfit® Spiral BSP Male - 24.0100

carbon steel, BSP (British thread 60° cone) male fitting for crimping on high pressure hydraulic hoses



According to **ISO WD 12151-6.2** and **ISO WD 8434-6.2** According to **BS 5200**

**Material :** carbon steel, zinc plated

**Ferrules :** Balfit® ferrules series 20.400 and 20.403

**Hoses :** Balflex® Balmaster hoses **SAE 100R9R / SAE 100R12 / DIN EN 856 4SP**

may be also used on Balflex® Powerspir DIN EN 856 4SH hoses with Balfit ferrules series 20.403

part number	hose dash	hose Ø	thread	thread dash	C Cut Off	Hex.
		inch				
24-0808-BSPM	- 8	1/2"	1/2" – 14	- 8	29	27
24-1010-BSPM	- 10	5/8"	5/8" – 14	- 10	32	30
24-1212-BSPM	- 12	3/4"	3/4" – 14	- 12	34	32
24-1616-BSPM	- 16	1"	1" – 11	- 16	39	41
23-2020-BSPM *	- 20	1-1/4"	1-1/4" – 11	- 20	45	46
23-2424-BSPM *	- 24	1-1/2"	1-1/2" – 11	- 24	45	55
23-3232-BSPM *	- 32	2"	2" – 11	- 32	52	70

\* On 1.1/4", 1.1/2" and 2" apply 23.0100

also available:

**Balfit® Stainless Steel Spiral BSP Male** (add an 'S' at the end of the part number; ex: 24.0100.1212 S)

### Construction characteristics and dimensions may be changed at anytime without prior notice

The data contained herein is for information purposes only and does not enlarge, amend or imply any warranty other than provided by the manufacturer with the product.

Any use of the product not in conformance with the manufacturer's instruction may be dangerous

Only items in this catalog are carried in stock. Some items are subject to minimum quantities or sold in multiples of standard quantities. Please refer to the price list or contact our commercial department. Prices subject to change without notice.

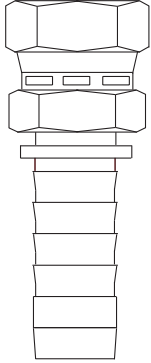


# Balfit<sup>®</sup> 24 Series - BSP Swivel Female Two Piece - Skive - High Pressure Stems

Skive: 100R12, 4SH, 4SP

## Balfit<sup>®</sup> Spiral BSP O'ring Swivel Female - 24.3112

carbon steel, BSP (British thread 60° cone with O-ring) female fitting for crimping on high pressure hydraulic hoses



According to **ISO WD 12151-6.2** and **ISO WD 8434-6.2** According to **BS 5200**

**Material :** carbon steel, zinc plated

**Ferrules :** Balfit<sup>®</sup> ferrules series 20.400 and 20.403

**Hoses :** Balflex<sup>®</sup> Balmaster hoses **SAE 100R9R / SAE 100R12 / DIN EN 856 4SP**

may be also used on Balflex<sup>®</sup> Powerspir DIN EN 856 4SH hoses with Balfit ferrules series 20.403

part number	hose dash	hose Ø	thread	thread dash		C Cut Off	Hex.
		inch				mm	mm
24-0808-BSPXFO	- 8	1/2"	1/2" - 14	- 8		22	27
24-1010-BSPXFO	- 10	5/8"	5/8" - 14	- 10		23	30
24-1212-BSPXFO	- 12	3/4"	3/4" - 14	- 12		24	32
24-1616-BSPXFO	- 16	1"	1" - 11	- 16		27	41
23-2020-BSPXFO *	- 20	1-1/4"	1-1/4" - 11	- 20		31	50
23-2424-BSPXFO *	- 24	1-1/2"	1-1/2" - 11	- 24		32	55
23-3232-BSPXFO *	- 32	2"	2" - 11	- 32		34	70

\* On 1.1/4", 1.1/2" and 2" apply 23.3112

also available:

**Balfit<sup>®</sup> Stainless Steel Spiral BSP O'ring Female** (add an 'S' at the end of the part number; ex: 24.3112.0808 S)

**Construction characteristics and dimensions may be changed at anytime without prior notice**

The data contained herein is for information purposes only and does not enlarge, amend or imply any warranty other than provided by the manufacturer with the product.

Any use of the product not in conformance with the manufacturer's instruction may be dangerous

Only items in this catalog are carried in stock. Some items are subject to minimum quantities or sold in multiples of standard quantities. Please refer to the price list or contact our commercial department. Prices subject to change without notice.

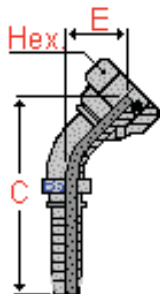
# Balfit<sup>®</sup> 24 Series - BSP 45° Swivel Female Two Piece - Skive - High Pressure Stems



Skive: 100R12, 4SH, 4SP

## Balfit<sup>®</sup> Spiral BSP 45° Swept O’ring Swivel Female - 24.3142

**solid-piece**, carbon steel, BSP (British thread 60° cone with O-ring) 45 swept female fitting for crimping on high pressure hydraulic hoses



According to **ISO WD 12151-6.2** and **ISO WD 8434-6.2** According to **BS 5200**

- Material : carbon steel, zinc plated
- Ferrules : Balfit<sup>®</sup> ferrules series 20.400 and 20.403
- Hoses : Balflex<sup>®</sup> Balmaster hoses **SAE 100R9R / SAE 100R12 / DIN EN 856 4SP**  
may be also used on Balflex<sup>®</sup> Powerspir DIN EN 856 4SH hoses with Balfit ferrules series 20.403

part number	hose dash	hose Ø	thread	thread dash	C Cut Off	E	Hex.
		inch			mm	mm	mm
24-0808-BSPXFO45	- 8	1/2"	1/2" – 14	- 8	67	24	27
24-1010-BSPXFO45	- 10	5/8"	5/8" – 14	- 10	68	23	30
24-1212-BSPXFO45	- 12	3/4"	3/4" – 14	- 12	86	30	32
24-1616-BSPXFO45	- 16	1"	1" – 11	- 16	107	35	41
23-2020-BSPXFO45 *	- 20	1-1/4"	1-1/4" – 11	- 20	129	40	50
23-2424-BSPXFO45 *	- 24	1-1/2"	1-1/2" – 11	- 24	221	47	55
23-3232-BSPXFO45 *	- 32	2"	2" – 11	- 32	196	70	70

\* On 1.1/4", 1.1/2" and 2" apply 23.3142

also available:

### Balfit<sup>®</sup> Stainless Steel Spiral BSP 45° Swept O’ring Female

(add an 'S' at the end of the part number; ex: 24.3142.0808 S)

#### Construction characteristics and dimensions may be changed at anytime without prior notice

The data contained herein is for information purposes only and does not enlarge, amend or imply any warranty other than provided by the manufacturer with the product.

Any use of the product not in conformance with the manufacturer's instruction may be dangerous

Only items in this catalog are carried in stock. Some items are subject to minimum quantities or sold in multiples of standard quantities. Please refer to the price list or contact our commercial department. Prices subject to change without notice.

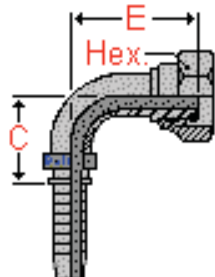


# Balfit® 24 Series - BSP 90° Swivel Female Two Piece - Skive - High Pressure Stems

Skive: 100R12, 4SH, 4SP

## Balfit® Spiral BSP 90° Swept O’ring Swivel Female - 24.3192

**solid-piece**, carbon steel, BSP (British thread 60° cone with O-ring) 90° swept female fitting for crimping on high pressure hydraulic hoses



According to **ISO WD 12151-6.2** and **ISO WD 8434-6.2** According to **BS 5200**

**Material :** carbon steel, zinc plated

**Ferrules :** Balfit® ferrules series 20.400 and 20.403

**Hoses :** Balflex® Balmaster hoses **SAE 100R9R / SAE 100R12 / DIN EN 856 4SP**

may be also used on Balflex® Powerspir DIN EN 856 4SH hoses with Balfit ferrules series 20.403

part number	hose dash	hose Ø	thread	thread dash	C Cut Off	E	Hex.
		inch			mm	mm	mm
24-0808-BSPXFO90	- 8	1/2"	1/2" – 14	- 8	45	44	27
24-1010-BSPXFO90	- 10	5/8"	5/8" – 14	- 10	50	45	30
24-1212-BSPXFO90	- 12	3/4"	3/4" – 14	- 12	56	57	32
24-1616-BSPXFO90	- 16	1"	1" – 11	- 16	74	73	41
23-2020-BSPXFO90 *	- 20	1-1/4"	1-1/4" – 11	- 20	90	92	50
23-2424-BSPXFO90 *	- 24	1-1/2"	1-1/2" – 11	- 24	99	100	55
23-3232-BSPXFO90 *	- 32	2"	2" – 11	- 32	129	130	70

\* On 1.1/4", 1.1/2" and 2" apply 23.3192

also available:

### Balfit® Stainless Steel Spiral BSP 90 Swept O’ring Female

(add an 'S' at the end of the part number; ex: 24.3192.1212 S)

#### Construction characteristics and dimensions may be changed at anytime without prior notice

The data contained herein is for information purposes only and does not enlarge, amend or imply any warranty other than provided by the manufacturer with the product.

Any use of the product not in conformance with the manufacturer's instruction may be dangerous

Only items in this catalog are carried in stock. Some items are subject to minimum quantities or sold in multiples of standard quantities. Please refer to the price list or contact our commercial department. Prices subject to change without notice.

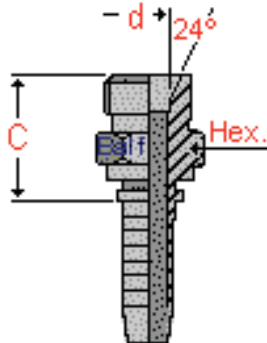
# Balfit® 24 Series - Metric Male CES Heavy Two Piece - Skive - High Pressure Stems



Skive: 100R12, 4SH, 4SP

## Balfit® Spiral Metric Male CES Heavy Type - 24.1100

carbon steel, heavy metric (metric thread, 24° cone) male fitting for crimping on high pressure hydraulic hoses



According to **ISO 12151-2** and **ISO 8434-1** According to **DIN 3861** series **S**

**Material :** carbon steel, zinc plated

**Ferrules :** Balfit® ferrules series 20.400 and 20.403

**Hoses :** Balflex® Balmaster hoses **SAE 100R9R / SAE 100R12 / DIN EN 856 4SP**

may be also used on Balflex® Powerspir DIN EN 856 4SH hoses with Balfit ferrules series 20.403

part number	hose dash	hose Ø	thread	thread dash	d - tube	C Cut Off	Hex.
		inch			mm	mm	mm
24-0824-DHM	- 8	1/2"	M24 x 1,5	- 24	16	32	27
24-1030-DHM	- 10	5/8"	M30 x 2,0	- 30	20	36	32
24-1236-DHM	- 12	3/4"	M36 x 2,0	- 36	25	40	41
24-1642-DHM	- 16	1"	M42 x 2,0	- 42	30	40	46
23-2052-DHM *	- 20	1-1/4"	M52 x 2,0	- 52	38	49	55

\* On 1.1/4" apply 23.1100.2052

also available:

### Balfit® Stainless Steel Spiral Metric Male CES Heavy Type

(add an 'S' at the end of the part number; ex: 24.1100.0824 S)

#### Construction characteristics and dimensions may be changed at anytime without prior notice

The data contained herein is for information purposes only and does not enlarge, amend or imply any warranty other than provided by the manufacturer with the product.

Any use of the product not in conformance with the manufacturer's instruction may be dangerous

Only items in this catalog are carried in stock. Some items are subject to minimum quantities or sold in multiples of standard quantities. Please refer to the price list or contact our commercial department. Prices subject to change without notice.



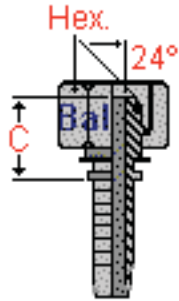


# Balfit<sup>®</sup> 24 Series - Metric Female DKO (S) Heavy Two Piece - Skive - High Pressure Stems

Skive: 100R12, 4SH, 4SP

## Balfit<sup>®</sup> Spiral Metric Female DKO - S Heavy Type - 24.5113

carbon steel, heavy metric (metric thread, 24° cone with O'Ring) female fitting for crimping on high pressure hydraulic hoses



According to **ISO 12151-2** and **ISO 8434-1** According to **DIN 3865** series **S**

**Material :** carbon steel, zinc plated

**Ferrules :** Balfit<sup>®</sup> ferrules series 20.400 and 20.403

**Hoses :** Balflex<sup>®</sup> Balmaster hoses **SAE 100R9R / SAE 100R12 / DIN EN 856 4SP**

may be also used on Balflex<sup>®</sup> Powerspir DIN EN 856 4SH hoses with Balfit ferrules series 20.403

part number	hose dash	hose Ø	thread	thread dash	tube	C Cut Off	Hex.
		inch			mm	mm	mm
24-0824-DHF	- 8	1/2"	M24 x 1,5	- 24	16	27	30
24-1030-DHF	- 10	5/8"	M30 x 2,0	- 30	20	34	36
24-1236-DHF	- 12	3/4"	M36 x 2,0	- 36	25	31	46
24-1642-DHF	- 16	1"	M42 x 2,0	- 42	30	36	50
23-2052-DHF *	- 20	1-1/4"	M52 x 2,0	- 52	38	36	60

\* On 1.1/4" apply 23.5113.2052

also available:

### Balfit<sup>®</sup> Stainless Steel Spiral Metric Female DKO - S Heavy Type

(add an 'S' at the end of the part number; ex: 24.5113.0824 S)

#### Construction characteristics and dimensions may be changed at anytime without prior notice

The data contained herein is for information purposes only and does not enlarge, amend or imply any warranty other than provided by the manufacturer with the product.

Any use of the product not in conformance with the manufacturer's instruction may be dangerous

Only items in this catalog are carried in stock. Some items are subject to minimum quantities or sold in multiples of standard quantities. Please refer to the price list or contact our commercial department. Prices subject to change without notice.

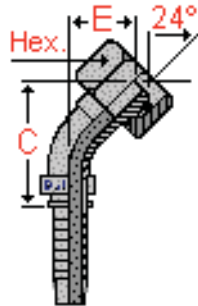
# Balfit® 24 Series - DKO (S) Heavy - 45° Two Piece - Skive - High Pressure Stems



Skive: 100R12, 4SH, 4SP

## Balfit® Spiral Metric 45° Swept Female DKO - S Heavy Type - 24.5143

*one piece, carbon steel, heavy metric (metric thread, 24° cone with O'Ring) 45 swept female fitting for crimping on high pressure hydraulic hoses*



According to **ISO 12151-2** and **ISO 8434-1** According to **DIN 3865 series S**

**Material :** carbon steel, zinc plated

**Ferrules :** Balfit® ferrules series 20.400 and 20.403

**Hoses :** Balflex® Balmaster hoses **SAE 100R9R / SAE 100R12 / DIN EN 856 4SP**

may be also used on Balflex® Powerspir DIN EN 856 4SH hoses with Balfit ferrules series 20.403

part number	hose dash	hose Ø	thread	thread dash	tube	C Cut Off	E	Hex.
		inch			mm	mm	mm	mm
24-0824-DHF45	- 8	1/2"	M24 x 1,5	- 24	16	53	27	30
24-1030-DHF45	- 10	5/8"	M30 x 2,0	- 30	20	75	31	36
24-1236-DHF45	- 12	3/4"	M36 x 2,0	- 36	25	80	33	46
24-1642-DHF45	- 16	1"	M42 x 2,0	- 42	30	90	41	50
23-2052-DHF45 *	- 20	1-1/4"	M52 x 2,0	- 52	38	130	41	60

\* On 1.1/4" apply 23.5143.2052

also available:

### Balfit® Stainless Steel Spiral Metric 45° Swept Female DKO - S Heavy Type

(add an 'S' at the end of the part number; ex: 24.5143.0824 S)

#### Construction characteristics and dimensions may be changed at anytime without prior notice

The data contained herein is for information purposes only and does not enlarge, amend or imply any warranty other than provided by the manufacturer with the product.

Any use of the product not in conformance with the manufacturer's instruction may be dangerous

Only items in this catalog are carried in stock. Some items are subject to minimum quantities or sold in multiples of standard quantities. Please refer to the price list or contact our commercial department. Prices subject to change without notice.

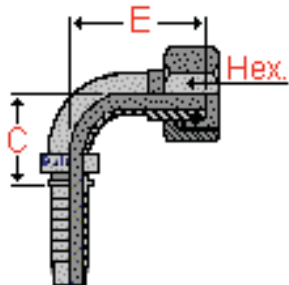


# Balfit® 24 Series - DKO (S) Heavy - 90° Two Piece - Skive - High Pressure Stems

Skive: 100R12, 4SH, 4SP

## Balfit® Spiral Metric 90° Swept Female DKO - S Heavy Type - 24.5193

*one piece*, carbon steel, heavy metric (metric thread, 24° cone with O'Ring) 90° swept female fitting for crimping on high pressure hydraulic hoses



According to **ISO 12151-2** and **ISO 8434-1** According to **DIN 3865** series **S**

**Material :** carbon steel, zinc plated

**Ferrules :** Balfit® ferrules series 20.400 and 20.403

**Hoses :** Balflex® Balmaster hoses **SAE 100R9R / SAE 100R12 / DIN EN 856 4SP**

may be also used on Balflex® Powerspir DIN EN 856 4SH hoses with Balfit ferrules series 20.403

part number	hose dash	hose Ø	thread	thread dash	tube	C Cut Off	E	Hex.
		inch			mm	mm	mm	mm
24-0824-DHF90	- 8	1/2"	M24 x 1,5	- 24	16	42	44	30
24-1030-DHF90	- 10	5/8"	M30 x 2,0	- 30	20	46	51	36
24-1236-DHF90	- 12	3/4"	M36 x 2,0	- 36	25	56	60	46
24-1642-DHF90	- 16	1"	M42 x 2,0	- 42	30	69	69	50
23-2052-DHF90 *	- 20	1-1/4"	M52 x 2,0	- 52	38	83	83	60

\* On 1.1/4" apply 23.5193.2052

also available:

### Balfit® Stainless Steel Spiral Metric 90° Swept Female DKO - S Heavy Type

(add an 'S' at the end of the part number; ex: 24.5193.0824 S)

#### Construction characteristics and dimensions may be changed at anytime without prior notice

The data contained herein is for information purposes only and does not enlarge, amend or imply any warranty other than provided by the manufacturer with the product.

Any use of the product not in conformance with the manufacturer's instruction may be dangerous

Only items in this catalog are carried in stock. Some items are subject to minimum quantities or sold in multiples of standard quantities. Please refer to the price list or contact our commercial department. Prices subject to change without notice.

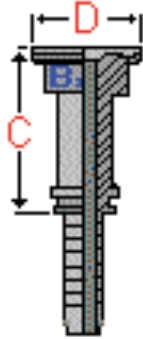
# Balfit® 24 Series - Code 61 - Straight Flange Two Piece - Skive - High Pressure Stems



Skive: 100R12, 4SH, 4SP

## Balfit® Spiral Straight SAE 3000 PSI (code 61) Flange - 24.7013

*solid-piece, carbon steel (code 61) flanged fitting for crimping on high pressure hydraulic hoses*



According to **ISO 6162** and **ISO 12151-3** According to **SAE J516** and **SAE J518**

**Material :** carbon steel, zinc plated  
**Ferrules :** Balfit® ferrules series 20.400 and 20.403  
**Hoses :** Balflex® **Balmaster** hoses **SAE 100R9R / SAE 100R12 / DIN EN 856 4SP**  
 may be also used on Balflex® Powerspir DIN EN 856 4SH hoses with Balfit ferrules series 20.403

part number	hose dash	hose	Flange size	flange	D	C
		Ø		dash	Ø Flange	
		inch	inch		mm	mm
24-0808-PA	- 8	1/2"	1/2"	- 8	30,2	46
24-0812-PA	- 8	1/2"	3/4"	- 12	38,1	47
24-1010-PA (a)	- 10	5/8"	5/8"	- 10	34,0	50
24-1012-PA	- 10	5/8"	3/4"	- 12	38,1	50
24-1212-PA	- 12	3/4"	3/4"	- 12	38,1	48
24-1216-PA	- 12	3/4"	1"	- 16	44,5	51
24-1616-PA	- 16	1"	1"	- 16	44,5	52
24-1620-PA	- 16	1"	1.1/4"	- 20	50,8	57
23-2020-PA *	- 20	1.1/4"	1.1/4"	- 20	50,8	58
23-2024-PA *	- 20	1.1/4"	1.1/2"	- 24	60,3	68
23-2424-PA *	- 24	1.1/2"	1.1/2"	- 24	60,3	68
23-2432-PA *	- 24	1.1/2"	2"	- 32	71,4	71
23-3232-PA *	- 32	2"	2"	- 32	71,4	71

(a) Japanese flange, size according to **JIS** standards; not included in **SAE J518**

\* On 1.1/4", 1.1/2" and 2" apply 23.7013

also available:

### Balfit® Stainless Steel Spiral Straight SAE 3000 PSI (code 61) Flange

(add an 'S' at the end of the part number; ex: 24.7013.1212 S)

#### Construction characteristics and dimensions may be changed at anytime without prior notice

The data contained herein is for information purposes only and does not enlarge, amend or imply any warranty other than provided by the manufacturer with the product.

Any use of the product not in conformance with the manufacturer's instruction may be dangerous

Only items in this catalog are carried in stock. Some items are subject to minimum quantities or sold in multiples of standard quantities. Please refer to the price list or contact our commercial department. Prices subject to change without notice.

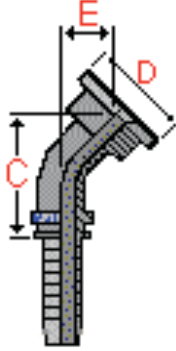


# Balfit<sup>®</sup> 24 Series - Code 61 - 45° Flange Two Piece - Skive - High Pressure Stems

Skive: 100R12, 4SH, 4SP

## Balfit<sup>®</sup> Spiral 45° Swept SAE 3000 PSI (code 61) Flange 24.7043

*solid-piece, carbon steel (code 61) 45 swept flanged fitting for crimping on high pressure hydraulic hoses*



According to **ISO 6162** and **ISO 12151-3** According to **SAE J516** and **SAE J518**

**Material :** carbon steel, zinc plated

**Ferrules :** Balfit<sup>®</sup> ferrules series 20.400 and 20.403

**Hoses :** Balflex<sup>®</sup> Balmaster hoses **SAE 100R9R / SAE 100R12 / DIN EN 856 4SP**

may be also used on Balflex<sup>®</sup> Powerspir DIN EN 856 4SH hoses with Balfit ferrules series 20.403

part number	hose dash	hose Ø	Flange size	flange dash	D Ø Flange	C Cut Off	E
		inch	inch		mm	mm	mm
24-0808-PA45	- 8	1/2"	1/2"	- 8	30,2	62	22
24-0812-PA45	- 8	1/2"	3/4"	- 12	38,1	68	25
24-1010-PA45 (a)	- 10	5/8"	5/8"	- 10	34,0	68	24
24-1012-PA45	- 10	5/8"	3/4"	- 12	38,1	68	24
24-1212-PA45	- 12	3/4"	3/4"	- 12	38,1	68	24
24-1216-PA45	- 12	3/4"	1"	- 16	44,5	88	30
24-1616-PA45	- 16	1"	1"	- 16	44,5	104	33
24-1620-PA45	- 16	1"	1.1/4"	- 20	50,8	108	37
23-2020-PA45 *	- 20	1.1/4"	1.1/4"	- 20	50,8	125	38
23-2024-PA45 *	- 20	1.1/4"	1.1/2"	- 24	60,3	129	39
23-2424-PA45 *	- 24	1.1/2"	1.1/2"	- 24	60,3	146	50
23-2432-PA45 *	- 24	1.1/2"	2"	- 32	71,4	176	58
23-3232-PA45 *	- 32	2"	2"	- 32	71,4	176	58

(a) Japanese flange, size according to **JIS** standards; not included in **SAE J518**

\* On 1.1/4", 1.1/2" and 2" apply 23.7043

also available:

### Balfit<sup>®</sup> Stainless Steel Spiral 45° Swept SAE 3000 PSI (code 61) Flange

(add an 'S' at the end of the part number; ex: 24.7043.1212 S)

#### Construction characteristics and dimensions may be changed at anytime without prior notice

The data contained herein is for information purposes only and does not enlarge, amend or imply any warranty other than provided by the manufacturer with the product.

Any use of the product not in conformance with the manufacturer's instruction may be dangerous

Only items in this catalog are carried in stock. Some items are subject to minimum quantities or sold in multiples of standard quantities. Please refer to the price list or contact our commercial department. Prices subject to change without notice.

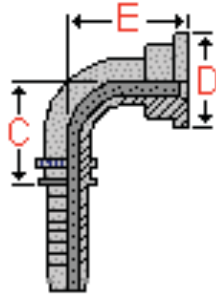
# Balfit<sup>®</sup> 24 Series - Code 61 - 90° Flange Two Piece - Skive - High Pressure Stems



Skive: 100R12, 4SH, 4SP

## Balfit<sup>®</sup> Spiral 90° Swept SAE 3000 PSI (code 61) Flange 24.7093

*solid-piece, carbon steel (code 61) 90 swept flanged fitting for crimping on high pressure hydraulic hoses*



According to **ISO 6162** and **ISO 12151-3** According to **SAE J516** and **SAE J518**

**Material :** carbon steel, zinc plated

**Ferrules :** Balfit<sup>®</sup> ferrules series 20.400 and 20.403

**Hoses :** Balflex<sup>®</sup> Balmaster hoses **SAE 100R9R / SAE 100R12 / DIN EN 856 4SP**

may be also used on Balflex<sup>®</sup> Powerspir DIN EN 856 4SH hoses with Balfit ferrules series 20.403

part number	hose dash	hose Ø	Flange size	flange dash	D Ø Flange	C Cut Off	E
		inch	inch		mm	mm	mm
24-0808-PA90	- 8	1/2"	1/2"	- 8	30,2	39	39
24-0812-PA90	- 8	1/2"	3/4"	- 12	38,1	39	44
24.7093.1010 (a)	- 10	5/8"	5/8"	- 10	34,0	53	52
24-1012-PA90	- 10	5/8"	3/4"	- 12	38,1	53	53
24-1212-PA90	- 12	3/4"	3/4"	- 12	38,1	56	53
24-1216-PA90	- 12	3/4"	1"	- 16	44,5	58	58
24-1616-PA90	- 16	1"	1"	- 16	44,5	70	65
24-1620-PA90	- 16	1"	1.1/4"	- 20	50,8	70	70
23-2020-PA90 *	- 20	1.1/4"	1.1/4"	- 20	50,8	85	81
23-2024-PA90 *	- 20	1.1/4"	1.1/2"	- 24	60,3	85	85
23-2424-PA90 *	- 24	1.1/2"	1.1/2"	- 24	60,3	99	92
23-2432-PA90 *	- 24	1.1/2"	2"	- 32	71,4	99	92
23-3232-PA90 *	- 32	2"	2"	- 32	71,4	123	121

(a) Japanese flange, size according to **JIS** standards; not included in **SAE J518**

\* On 1.1/4", 1.1/2" and 2" apply 23.7093

also available:

### Balfit<sup>®</sup> Stainless Steel Spiral 90° Swept SAE 3000 PSI (code 61) Flange

(add an 'S' at the end of the part number; ex: 24.7093.1212 S)

#### Construction characteristics and dimensions may be changed at anytime without prior notice

The data contained herein is for information purposes only and does not enlarge, amend or imply any warranty other than provided by the manufacturer with the product.

Any use of the product not in conformance with the manufacturer's instruction may be dangerous

Only items in this catalog are carried in stock. Some items are subject to minimum quantities or sold in multiples of standard quantities. Please refer to the price list or contact our commercial department. Prices subject to change without notice.

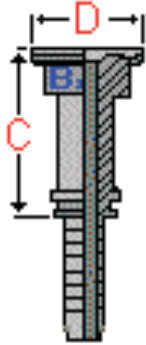


# Balfit<sup>®</sup> 24 Series - Code 62 - Straight Flange Two Piece - Skive - High Pressure Stems

Skive: 100R12, 4SH, 4SP

## Balfit<sup>®</sup> Spiral Straight SAE 6000 PSI (code 62) Flange - 24.7016

*solid-piece, carbon steel (code 62) flanged fitting for crimping on high pressure hydraulic hoses*



According to **ISO 6162** and **ISO 12151-3** According to **SAE J516** and **SAE J518**

**Material :** carbon steel, zinc plated

**Ferrules :** Balfit<sup>®</sup> ferrules series 20.400 and 20.403

**Hoses :** Balflex<sup>®</sup> Balmaster hoses **SAE 100R9R / SAE 100R12 / DIN EN 856 4SP**

may be also used on Balflex<sup>®</sup> Powerspir DIN EN 856 4SH hoses with Balfit ferrules series 20.403

part number	hose dash	hose Ø	Flange size	flange dash	D Ø Flange	C Cut Off
		inch	Inch		mm	
24-0808-PH	- 8	1/2"	1/2"	- 8	31,7	46
24-0812-PH	- 8	1/2"	3/4"	- 12	41,3	53
24-1012-PH	- 10	5/8"	3/4"	- 12	41,3	51
24-1212-PH	- 12	3/4"	3/4"	- 12	41,3	54
24-1216-PH	- 12	3/4"	1"	- 16	47,6	60
24-1616-PH	- 16	1"	1"	- 16	47,6	61
24-1620-PH	- 16	1"	1.1/4"	- 20	54,0	68
23-2020-PH *	- 20	1.1/4"	1.1/4"	- 20	54,0	70
23-2024-PH *	- 20	1.1/4"	1.1/2"	- 24	63,5	76
23-.2424-PH *	- 24	1.1/2"	1.1/2"	- 24	63,5	76
23-2432-PH *	- 24	1.1/2"	2"	- 32	79,4	85
23-3232-PH *	- 32	2"	2"	- 32	79,4	85

\* On 1.1/4", 1.1/2" and 2" apply 23.7016

also available:

### Balfit<sup>®</sup> Stainless Steel Spiral Straight SAE 6000 PSI (code 62) Flange

(add an 'S' at the end of the part number; ex: 24.7016.1212 S)

#### Construction characteristics and dimensions may be changed at anytime without prior notice

The data contained herein is for information purposes only and does not enlarge, amend or imply any warranty other than provided by the manufacturer with the product.

Any use of the product not in conformance with the manufacturer's instruction may be dangerous

Only items in this catalog are carried in stock. Some items are subject to minimum quantities or sold in multiples of standard quantities. Please refer to the price list or contact our commercial department. Prices subject to change without notice.

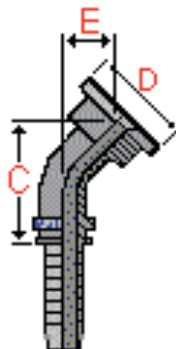
# Balfit® 24 Series - Code 62 - 45° Flange Two Piece - Skive - High Pressure Stems



Skive: 100R12, 4SH, 4SP

## Balfit® Spiral 45° Swept SAE 6000 PSI (code 62) Flange 24.7046

*solid-piece, carbon steel (code 62) 45 swept flanged fitting for crimping on high pressure hydraulic hoses*



According to **ISO 6162** and **ISO 12151-3** According to **SAE J516** and **SAE J518**

**Material :** carbon steel, zinc plated

**Ferrules :** Balfit® ferrules series 20.400 and 20.403

**Hoses :** Balflex® Balmaster hoses **SAE 100R9R / SAE 100R12 / DIN EN 856 4SP**

may be also used on Balflex® Powerspir DIN EN 856 4SH hoses with Balfit ferrules series 20.403

part number	hose dash	hose Ø	Flange size	flange dash	D Ø Flange	C Cut Off	E
		inch	inch		mm	mm	mm
24-0808-PH45	- 8	1/2"	1/2"	- 8	31,7	59	22
24-0812-PH45	- 8	1/2"	3/4"	- 12	41,3	71	28
24-1012-PH45	- 10	5/8"	3/4"	- 12	41,3	75	28
24-1212-PH45	- 12	3/4"	3/4"	- 12	41,3	75	28
24-1216-PH45	- 12	3/4"	1"	- 16	47,6	90	32
24-1616-PH45	- 16	1"	1"	- 16	47,6	88	35
24-1620-PH45	- 16	1"	1.1/4"	- 20	54,0	92	37
23-2020-PH45 *	- 20	1.1/4"	1.1/4"	- 20	54,0	102	42
23-2024-PH45 *	- 20	1.1/4"	1.1/2"	- 24	63,5	133	57
23-2424-PH45 *	- 24	1.1/2"	1.1/2"	- 24	63,5	120	57
23-2432-PH45 *	- 24	1.1/2"	2"	- 32	79,4	163	66
23-3232-PH45 *	- 32	2"	2"	- 32	79,4	150	66

\* On 1.1/4", 1.1/2" and 2" apply 23.7046

also available:

### Balfit® Stainless Steel Spiral 45° Swept SAE 6000 PSI (code 62) Flange

(add an 'S' at the end of the part number; ex: 24.7046.1212 S)

#### Construction characteristics and dimensions may be changed at anytime without prior notice

The data contained herein is for information purposes only and does not enlarge, amend or imply any warranty other than provided by the manufacturer with the product.

Any use of the product not in conformance with the manufacturer's instruction may be dangerous

Only items in this catalog are carried in stock. Some items are subject to minimum quantities or sold in multiples of standard quantities. Please refer to the price list or contact our commercial department. Prices subject to change without notice.



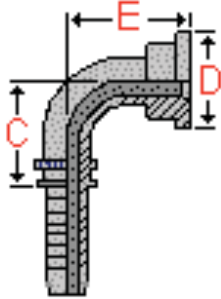


# Balfit® 24 Series - Code 62 - 90° Flange Two Piece - Skive - High Pressure Stems

Skive: 100R12, 4SH, 4SP

## Balfit® Spiral 90° Swept SAE 6000 PSI (code 62) Flange 24.7096

*solid-piece, carbon steel (code 62) 90 swept flanged fitting for crimping on high pressure hydraulic hoses*



According to **ISO 6162** and **ISO 12151-3** According to **SAE J516** and **SAE J518**

**Material :** carbon steel, zinc plated

**Ferrules :** Balfit® ferrules series 20.400 and 20.403

**Hoses :** Balflex® Balmaster hoses **SAE 100R9R / SAE 100R12 / DIN EN 856 4SP**

may be also used on Balflex® Powerspir DIN EN 856 4SH hoses with Balfit ferrules series 20.403

part number	hose dash	hose Ø	Flange size	flange dash	D Ø Flange	C Cut Off	E
		inch	inch		mm	mm	mm
24-0808-PH90	- 8	1/2"	1/2"	- 8	31,7	42	44
24-0812-PH90	- 8	1/2"	3/4"	- 12	41,3	39	48
24-1012-PH90	- 10	5/8"	3/4"	- 12	41,3	55	57
24-1212-PH90	- 12	3/4"	3/4"	- 12	41,3	57	57
24-1216-PH90	- 12	3/4"	1"	- 16	47,6	57	63
24-1616-PH90	- 16	1"	1"	- 16	47,6	70	70
24-1620-PH90	- 16	1"	1.1/4"	- 20	54,0	76	77
23-2020-PH90 *	- 20	1.1/4"	1.1/4"	- 20	54,0	85	88
23-2024-PH90 *	- 20	1.1/4"	1.1/2"	- 24	63,5	85	96
23-2424-PH90 *	- 24	1.1/2"	1.1/2"	- 24	63,5	99	104
23-2432-PH90 *	- 24	1.1/2"	2"	- 32	79,4	99	116
23-3232-PH90 *	- 32	2"	2"	- 32	79,4	125	136

\* On 1.1/4", 1.1/2" and 2" apply 23.7016

also available:

### Balfit® Stainless Steel Spiral 90° Swept SAE 6000 PSI (code 62) Flange

(add an 'S' at the end of the part number; ex: 24.7096.1212 S)

#### Construction characteristics and dimensions may be changed at anytime without prior notice

The data contained herein is for information purposes only and does not enlarge, amend or imply any warranty other than provided by the manufacturer with the product.

Any use of the product not in conformance with the manufacturer's instruction may be dangerous

Only items in this catalog are carried in stock. Some items are subject to minimum quantities or sold in multiples of standard quantities. Please refer to the price list or contact our commercial department. Prices subject to change without notice.

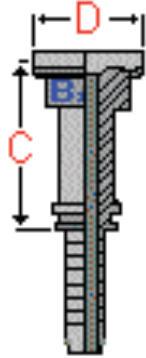
# Balfit<sup>®</sup> 24 Series - Supercat Straight Flange Two Piece - Skive - High Pressure Stems



Skive: 100R12, 4SH, 4SP

## Balfit<sup>®</sup> Spiral Straight SUPERCAT Flange - 24.7116

*solid-piece, carbon steel Supercat flanged fitting for crimping on high pressure hydraulic hoses*



According to **SAE J516** and **SAE J518**

**Material :** carbon steel, zinc plated

**Ferrules :** Balfit<sup>®</sup> ferrules series 20.400 and 20.403

**Hoses :** Balflex<sup>®</sup> Balmaster hoses **SAE 100R9R / SAE 100R12 / DIN EN 856 4SP**

may be also used on Balflex<sup>®</sup> Powerspir DIN EN 856 4SH hoses with Balfit ferrules series 20.403

part number	hose dash	hose Ø	Flange size	flange dash	D Ø Flange	C Cut Off
		inch	inch		mm	
24-1212-SC	- 12	3/4"	3/4"	- 12	41,3	58
24-1216-SC	- 12	3/4"	1"	- 16	47,6	64
24-1616-SC	- 16	1"	1"	- 16	47,6	65
24-1620-SC	- 16	1"	1.1/4"	- 20	54,0	73
23-2020-SC *	- 20	1.1/4"	1.1/4"	- 20	54,0	74
23-2024-SC *	- 20	1.1/4"	1.1/2"	- 24	63,5	78
23-2424-SC *	- 24	1.1/2"	1.1/2"	- 24	63,5	80
23-2432-SC *	- 24	1.1/2"	2"	- 32	79,4	85
23-3232-SC *	- 32	2"	2"	- 32	79,4	85

\* On 1.1/4", 1.1/2" and 2" apply 23.7016

### Construction characteristics and dimensions may be changed at anytime without prior notice

The data contained herein is for information purposes only and does not enlarge, amend or imply any warranty other than provided by the manufacturer with the product.

Any use of the product not in conformance with the manufacturer's instruction may be dangerous

Only items in this catalog are carried in stock. Some items are subject to minimum quantities or sold in multiples of standard quantities. Please refer to the price list or contact our commercial department. Prices subject to change without notice.

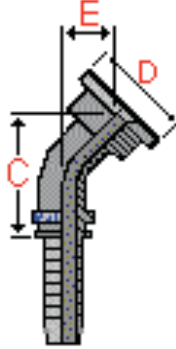


# Balfit<sup>®</sup> 24 Series - Supercat 45° Flange Two Piece - Skive - High Pressure Stems

Skive: 100R12, 4SH, 4SP

## Balfit<sup>®</sup> Spiral 45° Swept SUPERCAT Flange - 24.7146

*solid-piece, carbon steel Supercat 45 swept flanged fitting for crimping on high pressure hydraulic hoses*



According to **ISO 6162** and **ISO 12151-3** According to **SAE J516** and **SAE J518**

**Material :** carbon steel, zinc plated

**Ferrules :** Balfit<sup>®</sup> ferrules series 20.400 and 20.403

**Hoses :** Balflex<sup>®</sup> Balmaster hoses **SAE 100R9R / SAE 100R12 / DIN EN 856 4SP**

may be also used on Balflex<sup>®</sup> Powerspir DIN EN 856 4SH hoses with Balfit ferrules series 20.403

part number	hose dash	hose Ø	Flange size	flange dash	D Ø Flange	C Cut Off	E
		inch	inch		mm	mm	mm
24-1212-SC45	- 12	3/4"	3/4"	- 12	41,3	88	32
24-1216-SC45	- 12	3/4"	1"	- 16	47,6	93	37
24-1616-SC45	- 16	1"	1"	- 16	47,6	115	42
24-1620-SC45	- 16	1"	1.1/4"	- 20	54,0	115	46
23-2020-SC45 *	- 20	1.1/4"	1.1/4"	- 20	54,0	131	53
23-2024-SC45 *	- 20	1.1/4"	1.1/2"	- 24	63,5	136	57
23-2424-SC45 *	- 24	1.1/2"	1.1/2"	- 24	63,5	154	58
23-2432-SC45 *	- 24	1.1/2"	2"	- 32	79,4	163	66
23-3232-SC45 *	- 32	2"	2"	- 32	79,4	198	71

\* On 1.1/4", 1.1/2" and 2" apply 23.7146

**Construction characteristics and dimensions may be changed at anytime without prior notice**

The data contained herein is for information purposes only and does not enlarge, amend or imply any warranty other than provided by the manufacturer with the product.

Any use of the product not in conformance with the manufacturer's instruction may be dangerous

Only items in this catalog are carried in stock. Some items are subject to minimum quantities or sold in multiples of standard quantities. Please refer to the price list or contact our commercial department. Prices subject to change without notice.

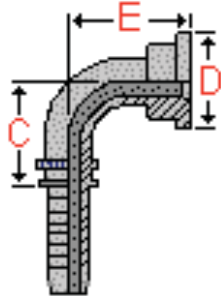
# Balfit<sup>®</sup> 24 Series - Supercat 90° Flange Two Piece - Skive - High Pressure Stems



Skive: 100R12, 4SH, 4SP

## Balfit<sup>®</sup> Spiral 90° Swept SUPERCAT Flange - 24.7196

*solid-piece, carbon steel Supercat 90 swept flanged fitting for crimping on high pressure hydraulic hoses*



According to **ISO 6162** and **ISO 12151-3** According to **SAE J516** and **SAE J518**

**Material :** carbon steel, zinc plated

**Ferrules :** Balfit<sup>®</sup> ferrules series 20.400 and 20.403

**Hoses :** Balflex<sup>®</sup> Balmaster hoses **SAE 100R9R / SAE 100R12 / DIN EN 856 4SP**

may be also used on Balflex<sup>®</sup> Powerspir DIN EN 856 4SH hoses with Balfit ferrules series 20.403

part number	hose dash	hose Ø	Flange size	flange dash	D Ø Flange	C Cut Off	E
		inch	inch		mm	mm	mm
24-1212-SC90	- 12	3/4"	3/4"	- 12	41,3	56	60
24-1216-SC90	- 12	3/4"	1"	- 16	47,6	56	67
24-1616-SC90	- 16	1"	1"	- 16	47,6	71	79
24-1620-SC90	- 16	1"	1.1/4"	- 20	54,0	72	85
23-2020-SC90 *	- 20	1.1/4"	1.1/4"	- 20	54,0	85	90
23-2024-SC90 *	- 20	1.1/4"	1.1/2"	- 24	63,5	91	92
23-2424-SC90 *	- 24	1.1/2"	1.1/2"	- 24	63,5	99	104
23-2432-SC90 *	- 24	1.1/2"	2"	- 32	79,4	99	112
23-3232-SC90 *	- 32	2"	2"	- 32	79,4	125	136

\* On 1.1/4", 1.1/2" and 2" apply 23.7196

### Construction characteristics and dimensions may be changed at anytime without prior notice

The data contained herein is for information purposes only and does not enlarge, amend or imply any warranty other than provided by the manufacturer with the product.

Any use of the product not in conformance with the manufacturer's instruction may be dangerous

Only items in this catalog are carried in stock. Some items are subject to minimum quantities or sold in multiples of standard quantities. Please refer to the price list or contact our commercial department. Prices subject to change without notice.

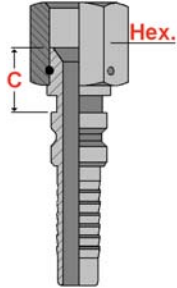


# Balfit<sup>®</sup> 26 Series - FJIC - Interlock Style Two Piece - Double Skive - High Pressure Stems

Double Skive: 4SH, 100R13 & 100R15

## Balfit<sup>®</sup> Powerspir / Interlock JIC 37° Swivel Female - 26.4012

**INTERNAL and EXTERNAL SKIVING** carbon steel, JIC American thread, 37° flared female for crimping on very high pressure hydraulic hoses



According to **ISO 12151-5** and **ISO 8434-2** According to **SAE J516 / SAE J514**

**Material :** carbon steel, zinc plated

**(Ferrule 20.405) Hoses :** Balflex Powerspir multi-spiral hoses **DIN EN 856 4SH Hose** (1.1/4", 1.1/2" and 2")

**(Ferrule 20.406) Hoses :** Balflex Powerspir multi-spiral hoses **DIN EN 856 4SH Hose** (3/4" and 1"),  
**SAE 100R13 Hose** (all sizes) and **SAE 100R15 Hose** (all sizes)

part number	hose dash	hose Ø	thread	thread dash		C	Hex.
		inch				mm	mm
26-1212-FJNH	- 12	3/4"	1-1/16" - 12	- 12		21	32
26-1616-FJNH	- 16	1"	1-5/16" - 12	- 16		23	41
26-2020-FJNH	- 20	1-1/4"	1-5/8" - 12	- 20		26	50
26-2424-FJNH	- 24	1-1/2"	1-7/8" - 12	- 24		27	55
26-3232-FJNH	- 32	2"	2-1/2" - 12	- 32		27	70

also available:

### Balfit<sup>®</sup> Stainless Steel Powerspir JIC Female

(add an 'S' at the end of the part number; ex: 26.4012.0808 S)

**Construction characteristics and dimensions may be changed at anytime without prior notice**

The data contained herein is for information purposes only and does not enlarge, amend or imply any warranty other than provided by the manufacturer with the product.

Any use of the product not in conformance with the manufacturer's instruction may be dangerous

Only items in this catalog are carried in stock. Some items are subject to minimum quantities or sold in multiples of standard quantities. Please refer to the price list or contact our commercial department. Prices subject to change without notice.

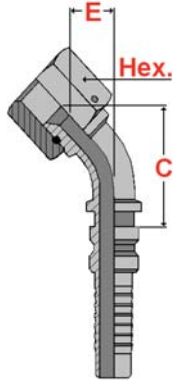
# Balfit® 26 Series - FJIC 45° - Interlock Style Two Piece - Double Skive - High Pressure Stems



Double Skive: 4SH, 100R13 & 100R15

## Balfit® Powerspir / Interlock JIC 37° - 45° Swept Swivel Female 26.4042

**INTERNAL and EXTERNAL SKIVING, solid-piece, carbon steel, JIC American thread, 37° flared (5/8"- 18 is 45° flared) 45 Swept for crimping on very high pressure hydraulic hoses**



According to **ISO 12151-5** and **ISO 8434-2** According to **SAE J516 / SAE J514**

**Material :** carbon steel, zinc plated  
**(Ferrule 20.405) Hoses :** Balflex® Powerspir multi-spiral hoses **DIN EN 856 4SH Hose** (1.1/4", 1.1/2" and 2")  
**(Ferrule 20.406) Hoses :** Balflex® Powerspir multi-spiral hoses **DIN EN 856 4SH Hose** (3/4" and 1"),  
**SAE 100R13 Hose** (all sizes) and **SAE 100R15 Hose** (all sizes)

part number	hose dash	hose	thread	thread dash	C	E	Hex.
		∅			Cut Off	mm	mm
		inch			mm	mm	mm
26-1212-FJ45	- 12	3/4"	1-1/16" - 12	- 12	84	28	32
26-1616-FJ45	- 16	1"	1-5/16" - 12	- 16	104	33	41
26-2020-FJ45	- 20	1-1/4"	1-5/8" - 12	- 20	104	45	50
26-2424-FJ45	- 24	1-1/2"	1-7/8" - 12	- 24	140	49	55
26-3232-FJ45	- 32	2"	2-1/2" - 12	- 32	170	68	70

also available:

### Balfit® Stainless Steel Powerspir 45° Swept JIC Female

(add an 'S' at the end of the part number; ex: 26.4042.0808 S)

#### Construction characteristics and dimensions may be changed at anytime without prior notice

The data contained herein is for information purposes only and does not enlarge, amend or imply any warranty other than provided by the manufacturer with the product.

Any use of the product not in conformance with the manufacturer's instruction may be dangerous

Only items in this catalog are carried in stock. Some items are subject to minimum quantities or sold in multiples of standard quantities. Please refer to the price list or contact our commercial department. Prices subject to change without notice.

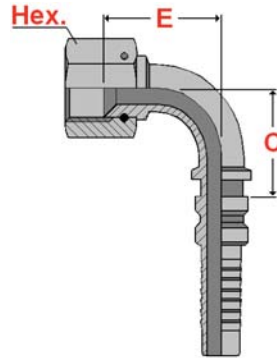


# Balfit<sup>®</sup> 26 Series - FJIC 90° - Interlock Style Two Piece - Double Skive - High Pressure Stems

Double Skive: 4SH, 100R13 & 100R15

## Balfit<sup>®</sup> Powerspir / Interlock JIC 37° - 90° Swept Swivel Female 26.4092

**INTERNAL and EXTERNAL SKIVING, solid-piece, carbon steel, JIC American thread, 37° flared (5/8"- 18 is 45° flared) 90 Swept for crimping on very high pressure hydraulic hoses**



According to **ISO 12151-5** and **ISO 8434-2** According to **SAE J516 / SAE J514**

**Material :** carbon steel, zinc plated

**(Ferrule 20.405) Hoses :** Balflex Powerspir multi-spiral hoses **DIN EN 856 4SH Hose** (1.1/4", 1.1/2" and 2")

**(Ferrule 20.406) Hoses :** Balflex Powerspir multi-spiral hoses **DIN EN 856 4SH Hose** (3/4" and 1"),  
**SAE 100R13 Hose** (all sizes) and **SAE 100R15 Hose** (all sizes)

part number	hose dash	hose Ø	thread	thread dash	C	E	Hex.
		inch			Cut Off		
26-1212-FJ90	- 12	3/4"	1-1/16" - 12	- 12	56	54	32
26-1616-FJ90	- 16	1"	1-5/16" - 12	- 16	73	71	41
26-2020-FJ90	- 20	1-1/4"	1-5/8" - 12	- 20	85	88	50
26-2424-FJ90	- 24	1-1/2"	1-7/8" - 12	- 24	99	101	55
26-3232-FJ90	- 32	2"	2-1/2" - 12	- 32	125	124	70

also available:

### Balfit<sup>®</sup> Stainless Steel Powerspir 90 Swept JIC Female

(add an 'S' at the end of the part number; ex: 26.4092.1212 S)

#### Construction characteristics and dimensions may be changed at anytime without prior notice

The data contained herein is for information purposes only and does not enlarge, amend or imply any warranty other than provided by the manufacturer with the product.

Any use of the product not in conformance with the manufacturer's instruction may be dangerous

Only items in this catalog are carried in stock. Some items are subject to minimum quantities or sold in multiples of standard quantities. Please refer to the price list or contact our commercial department. Prices subject to change without notice.

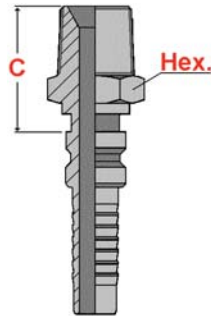
# Balfit<sup>®</sup> 26 Series - NPT Male - Interlock Style Two Piece - Double Skive - High Pressure Stems



Double Skive: 4SH, 100R13 & 100R15

## Balfit<sup>®</sup> Powerspir / Interlock Spiral NPT Male - 26.0400

**INTERNAL and EXTERNAL SKIVING** carbon steel, NPT (dry-seal taper thread) male fitting for crimping on very high pressure hydraulic hoses



According to **SAE J516 / SAE J514**

- Material :** carbon steel, zinc plated  
**(Ferrule 20.405) Hoses :** Balflex Powerspir multi-spiral hoses **DIN EN 856 4SH Hose** (1.1/4", 1.1/2" and 2")  
**(Ferrule 20.406) Hoses :** Balflex Powerspir multi-spiral hoses **DIN EN 856 4SH Hose** (3/4" and 1"),  
**SAE 100R13 Hose** (all sizes) and **SAE 100R15 Hose** (all sizes)

part number	hose dash	hose	thread	thread dash	C Cut Off	Hex.
		Ø				
		inch			mm	mm
26-1212-MP	- 12	3/4"	3/4" - 14	- 12	39	27
26-1616-MP	- 16	1"	1" - 11.5	- 16	45	36
26-2020-MP	- 20	1-1/4"	1-1/4" - 11.5	- 20	49	46
26-2424-MP	- 24	1-1/2"	1-1/2" - 11.5	- 24	51	50
26-3232-MP	- 32	2"	2" - 11.5	- 32	55	65

also available:

### Balfit<sup>®</sup> Stainless Steel Powerspir NPT Male

(add an 'S' at the end of the part number; ex: 26.0400.1212 S)

**Construction characteristics and dimensions may be changed at anytime without prior notice**

The data contained herein is for information purposes only and does not enlarge, amend or imply any warranty other than provided by the manufacturer with the product.

Any use of the product not in conformance with the manufacturer's instruction may be dangerous

Only items in this catalog are carried in stock. Some items are subject to minimum quantities or sold in multiples of standard quantities. Please refer to the price list or contact our commercial department. Prices subject to change without notice.



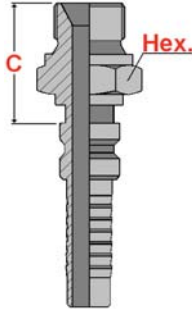


# Balfit<sup>®</sup> 26 Series - BSP Male - Interlock Style Two Piece - Double Skive - High Pressure Stems

Double Skive: 4SH, 100R13 & 100R15

## Balfit<sup>®</sup> Powerspir / Interlock Spiral BSP Male - 26.0100

**INTERNAL and EXTERNAL SKIVING** carbon steel, BSP (British thread 60° cone) male fitting for crimping on very high pressure hydraulic hoses



According to **ISO WD 12151-6.2** and **ISO WD 8434-6.2** According to **BS 5200**

- Material :** carbon steel, zinc plated  
**(Ferrule 20.405) Hoses :** Balflex Powerspir multi-spiral hoses **DIN EN 856 4SH Hose** (1.1/4", 1.1/2" and 2")  
**(Ferrule 20.406) Hoses :** Balflex Powerspir multi-spiral hoses **DIN EN 856 4SH Hose** (3/4" and 1"),  
**SAE 100R13 Hose** (all sizes) and **SAE 100R15 Hose** (all sizes)

part number	hose dash	hose Ø	thread	thread dash		C	Hex.
		inch				Cut Off	mm
26-1212-BSPM	- 12	3/4"	3/4" - 14	- 12		34	32
26-1616-BSPM	- 16	1"	1" - 11	- 16		39	41
26-2020-BSPM	- 20	1-1/4"	1-1/4" - 11	- 20		45	46
26-2424-BSPM	- 24	1-1/2"	1-1/2" - 11	- 24		45	55
26-3232-BSPM	- 32	2"	2" - 11	- 32		52	70

also available:

### Balfit<sup>®</sup> Stainless Steel Powerspir BSP Male

(add an 'S' at the end of the part number; ex: 26.0100.1212 S)

#### Construction characteristics and dimensions may be changed at anytime without prior notice

The data contained herein is for information purposes only and does not enlarge, amend or imply any warranty other than provided by the manufacturer with the product.

Any use of the product not in conformance with the manufacturer's instruction may be dangerous

Only items in this catalog are carried in stock. Some items are subject to minimum quantities or sold in multiples of standard quantities. Please refer to the price list or contact our commercial department. Prices subject to change without notice.

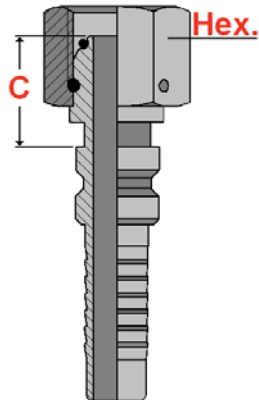
# Balfit® 26 Series - BSP - Interlock Style Two Piece - Double Skive - High Pressure Stems



Double Skive: 4SH, 100R13 & 100R15

## Balfit® Powerspir / Interlock Spiral BSP O'ring Swivel Female 26.3112

**INTERNAL and EXTERNAL SKIVING** carbon steel, BSP (British thread 60° cone with O-ring) female fitting for crimping on very high pressure hydraulic hoses



According to **ISO WD 12151-6.2** and **ISO WD 8434-6.2** According to **BS 5200**

- Material :** carbon steel, zinc plated  
**(Ferrule 20.405) Hoses :** Balflex Powerspir multi-spiral hoses **DIN EN 856 4SH Hose** (1.1/4", 1.1/2" and 2")  
**(Ferrule 20.406) Hoses :** Balflex Powerspir multi-spiral hoses **DIN EN 856 4SH Hose** (3/4" and 1"),  
**SAE 100R13 Hose** (all sizes) and **SAE 100R15 Hose** (all sizes)

part number	hose dash	hose Ø	thread	thread dash	C Cut Off	Hex.
		inch				
26-1212-BSPXFO	- 12	3/4"	3/4" – 14	- 12	24	32
26-1616-BSPXFO	- 16	1"	1" – 11	- 16	27	41
26-2020-BSPXFO	- 20	1-1/4"	1-1/4" – 11	- 20	31	50
26-2424-BSPXFO	- 24	1-1/2"	1-1/2" – 11	- 24	32	55
26-3232-BSPXFO	- 32	2"	2" – 11	- 32	34	70

also available:

### Balfit® Stainless Steel Powerspir BSP O'ring Female

(add an 'S' at the end of the part number; ex: 26.3112.1616 S)

**Construction characteristics and dimensions may be changed at anytime without prior notice**

The data contained herein is for information purposes only and does not enlarge, amend or imply any warranty other than provided by the manufacturer with the product.

Any use of the product not in conformance with the manufacturer's instruction may be dangerous

Only items in this catalog are carried in stock. Some items are subject to minimum quantities or sold in multiples of standard quantities. Please refer to the price list or contact our commercial department. Prices subject to change without notice.

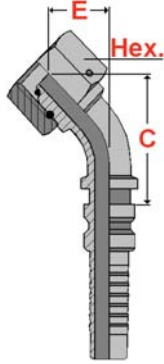


# Balfit<sup>®</sup> 26 Series - BSP 45° - Interlock Style Two Piece - Double Skive - High Pressure Stems

Double Skive: 4SH, 100R13 & 100R15

## Balfit<sup>®</sup> Powerspir / Interlock Spiral BSP 45° Swept O'ring Swivel Female - 26.3142

**INTERNAL and EXTERNAL SKIVING solid-piece**, carbon steel, BSP (British thread 60° cone with O-ring) 45 swept female fitting for crimping on very high pressure hydraulic hoses



According to **ISO WD 12151-6.2** and **ISO WD 8434-6.2** According to **BS 5200**

**Material :** carbon steel, zinc plated

**(Ferrule 20.405) Hoses :** Balflex Powerspir multi-spiral hoses **DIN EN 856 4SH Hose** (1.1/4", 1.1/2" and 2")

**(Ferrule 20.406) Hoses :** Balflex Powerspir multi-spiral hoses **DIN EN 856 4SH Hose** (3/4" and 1"),  
**SAE 100R13 Hose** (all sizes) and **SAE 100R15 Hose** (all sizes)

part number	hose dash	hose Ø	thread	thread dash	C Cut Off	E	Hex.
		inch			mm	mm	mm
26-1212-BSPXF045	- 12	3/4"	3/4" - 14	- 12	86	30	32
26-1616-BSPXF045	- 16	1"	1" - 11	- 16	107	35	41
26-2020-BSPXF045	- 20	1-1/4"	1-1/4" - 11	- 20	129	40	50
26-2424-BSPXF045	- 24	1-1/2"	1-1/2" - 11	- 24	221	47	55
26-3232-BSPXF045	- 32	2"	2" - 11	- 32	196	70	70

also available:

### Balfit Stainless Steel Powerspir BSP 45° Swept O'ring Female

(add an 'S' at the end of the part number; ex: 26.3142.2020 S)

#### Construction characteristics and dimensions may be changed at anytime without prior notice

The data contained herein is for information purposes only and does not enlarge, amend or imply any warranty other than provided by the manufacturer with the product.

Any use of the product not in conformance with the manufacturer's instruction may be dangerous

Only items in this catalog are carried in stock. Some items are subject to minimum quantities or sold in multiples of standard quantities. Please refer to the price list or contact our commercial department. Prices subject to change without notice.

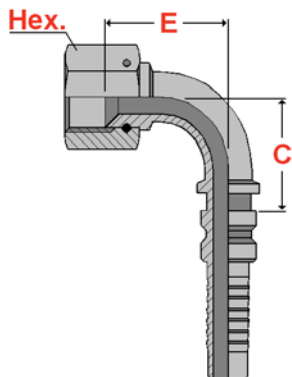
# Balfit<sup>®</sup> 26 Series - BSP 90° - Interlock Style Two Piece - Double Skive - High Pressure Stems



Double Skive: 4SH, 100R13 & 100R15

## Balfit<sup>®</sup> Powerspir / Interlock Spiral BSP 90° Swept O'ring Swivel Female - 26.3192

**INTERNAL and EXTERNAL SKIVING solid-piece**, carbon steel, BSP (British thread 60° cone with O-ring) 90 swept female fitting for crimping on very high pressure hydraulic hoses



According to **ISO WD 12151-6.2** and **ISO WD 8434-6.2** According to **BS 5200**

- Material :** carbon steel, zinc plated  
**(Ferrule 20.405) Hoses :** Balflex Powerspir multi-spiral hoses **DIN EN 856 4SH Hose** (1.1/4", 1.1/2" and 2")  
**(Ferrule 20.406) Hoses :** Balflex Powerspir multi-spiral hoses **DIN EN 856 4SH Hose** (3/4" and 1"),  
**SAE 100R13 Hose** (all sizes) and **SAE 100R15 Hose** (all sizes)

part number	hose dash	hose Ø	thread	thread dash	C Cut Off	E	Hex.
		inch			mm	mm	mm
26-1212-BSPXFO90	- 12	3/4"	3/4" - 14	- 12	56	57	32
26-1616-BSPXFO90	- 16	1"	1" - 11	- 16	74	73	41
26-2020-BSPXFO90	- 20	1-1/4"	1-1/4" - 11	- 20	90	92	50
26-2424-BSPXFO90	- 24	1-1/2"	1-1/2" - 11	- 24	99	100	55
26-3232-BSPXFO90	- 32	2"	2" - 11	- 32	129	130	70

also available:

### Balfit<sup>®</sup> Stainless Steel Powerspir BSP 90° Swept O'ring Female

(add an 'S' at the end of the part number; ex: 26.3192.2424 S)

#### Construction characteristics and dimensions may be changed at anytime without prior notice

The data contained herein is for information purposes only and does not enlarge, amend or imply any warranty other than provided by the manufacturer with the product.

Any use of the product not in conformance with the manufacturer's instruction may be dangerous

Only items in this catalog are carried in stock. Some items are subject to minimum quantities or sold in multiples of standard quantities. Please refer to the price list or contact our commercial department. Prices subject to change without notice.

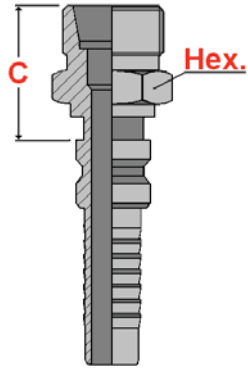


# Balfit® 26 Series - CES Male Heavy - Interlock Style Two Piece - Double Skive - High Pressure Stems

Double Skive: 4SH, 100R13 & 100R15

## Balfit® Powerspir / Interlock Spiral Metric Male CES Heavy Type 26.1100

**INTERNAL and EXTERNAL SKIVING** carbon steel, heavy metric (metric thread, 24° cone) male fitting for crimping on very high pressure hydraulic hoses



According to **ISO 12151-2** and **ISO 8434-1** According to **DIN 3861** series **S**

**Material :** carbon steel, zinc plated

**(Ferrule 20.405) Hoses :** Balflex Powerspir multi-spiral hoses **DIN EN 856 4SH Hose** (1.1/4", 1.1/2" and 2")

**(Ferrule 20.406) Hoses :** Balflex Powerspir multi-spiral hoses **DIN EN 856 4SH Hose** (3/4" and 1"),  
**SAE 100R13 Hose** (all sizes) and **SAE 100R15 Hose** (all sizes)

part number	hose dash	hose Ø	thread	thread dash	d - tube	C Cut Off	Hex.
		inch			mm	mm	mm
26-1236-DHM	- 12	3/4"	M36 x 2,0	- 36	25	40	41
26-1642-DHM	- 16	1"	M42 x 2,0	- 42	30	40	46
26-2052-DHM	- 20	1-1/4"	M52 x 2,0	- 52	38	49	55

also available:

### Balfit® Stainless Steel Powerspir Metric Male CES Heavy Type

(add an 'S' at the end of the part number; ex: 26.1100.2052 S)

#### Construction characteristics and dimensions may be changed at anytime without prior notice

The data contained herein is for information purposes only and does not enlarge, amend or imply any warranty other than provided by the manufacturer with the product.

Any use of the product not in conformance with the manufacturer's instruction may be dangerous

Only items in this catalog are carried in stock. Some items are subject to minimum quantities or sold in multiples of standard quantities. Please refer to the price list or contact our commercial department. Prices subject to change without notice.

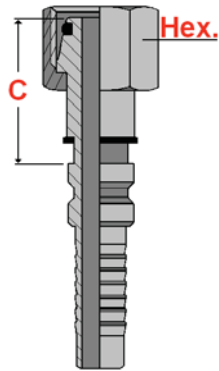
# Balfit<sup>®</sup> 26 Series - DKO (S) - Interlock Style Two Piece - Double Skive - High Pressure Stems



Double Skive: 4SH, 100R13 & 100R15

## Balfit<sup>®</sup> Powerspir / Interlock Spiral Metric Female DKO - S Heavy Type - 26.5113

**INTERNAL and EXTERNAL SKIVING** carbon steel, heavy metric (metric thread, 24° cone with O'Ring) female fitting for crimping on very high pressure hydraulic hoses



According to **ISO 12151-2** and **ISO 8434-1** According to **DIN 3865 series S**

- Material :** carbon steel, zinc plated  
**(Ferrule 20.405) Hoses :** **Balflex Powerspir** multi-spiral hoses **DIN EN 856 4SH Hose (1.1/4")**  
**(Ferrule 20.406) Hoses :** **Balflex Powerspir** multi-spiral hoses **DIN EN 856 4SH Hose (3/4" and 1")**,  
**SAE 100R13 Hose (all sizes) and SAE 100R15 Hose (all sizes)**

part number	hose dash	hose Ø	thread	thread dash	tube	C Cut Off	Hex.
		inch			mm	mm	mm
26-0824-DHF	- 8	1/2"	M24 x 1,5	- 24	16	27	30
26-1030-DHF	- 10	5/8"	M30 x 2,0	- 30	20	34	36
26-1236-DHF	- 12	3/4"	M36 x 2,0	- 36	25	31	46
26-1642-DHF	- 16	1"	M42 x 2,0	- 42	30	36	50
26-2052-DHF	- 20	1-1/4"	M52 x 2,0	- 52	38	36	60

also available:

### Balfit<sup>®</sup> Stainless Steel Powerspir Metric Female DKO - S Heavy Type

(add an 'S' at the end of the part number; ex: 26.5113.1236 S)

#### Construction characteristics and dimensions may be changed at anytime without prior notice

The data contained herein is for information purposes only and does not enlarge, amend or imply any warranty other than provided by the manufacturer with the product.

Any use of the product not in conformance with the manufacturer's instruction may be dangerous

Only items in this catalog are carried in stock. Some items are subject to minimum quantities or sold in multiples of standard quantities. Please refer to the price list or contact our commercial department. Prices subject to change without notice.

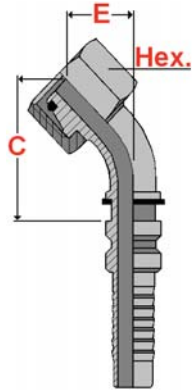


# Balfit<sup>®</sup> 26 Series - DKO (S) 45° - Interlock Style Two Piece - Double Skive - High Pressure Stems

Double Skive: 4SH, 100R13 & 100R15

## Balfit<sup>®</sup> Powerspir / Interlock Spiral Metric 45° Swept Female DKO - S Heavy Type - 26.5143

**INTERNAL and EXTERNAL SKIVING one piece, carbon steel, heavy metric (metric thread, 24° cone with O'Ring) 45 swept female fitting for crimping on very high pressure hydraulic hoses**



According to **ISO 12151-2** and **ISO 8434-1** According to **DIN 3865 series S**

**Material :** carbon steel, zinc plated

**(Ferrule 20.405) Hoses :** **Balflex Powerspir** multi-spiral hoses **DIN EN 856 4SH Hose (1.1/4")**

**(Ferrule 20.406) Hoses :** **Balflex Powerspir** multi-spiral hoses **DIN EN 856 4SH Hose (3/4" and 1")**,  
**SAE 100R13 Hose (all sizes)** and **SAE 100R15 Hose (all sizes)**

part number	hose dash	hose Ø	thread	thread dash	tube	C Cut Off	E	Hex.
		inch			mm	mm	mm	mm
26-1236-DHF45	- 12	3/4"	M36 x 2,0	- 36	25	80	33	46
26-1642-DHF45	- 16	1"	M42 x 2,0	- 42	30	90	41	50
26-2052-DHF45	- 20	1-1/4"	M52 x 2,0	- 52	38	130	41	60

also available:

**Balfit** Stainless Steel Powerspir Metric 45° Swept Female DKO - S Heavy Type

(add an 'S' at the end of the part number; ex: 26.5143.1642 S)

**Construction characteristics and dimensions may be changed at anytime without prior notice**

The data contained herein is for information purposes only and does not enlarge, amend or imply any warranty other than provided by the manufacturer with the product.

Any use of the product not in conformance with the manufacturer's instruction may be dangerous

Only items in this catalog are carried in stock. Some items are subject to minimum quantities or sold in multiples of standard quantities. Please refer to the price list or contact our commercial department. Prices subject to change without notice.

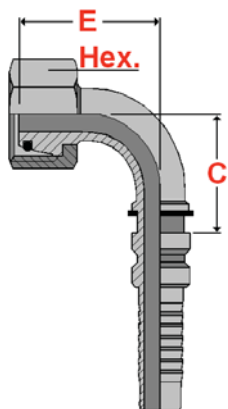
# Balfit® 26 Series - DKO (S) 90° - Interlock Style Two Piece - Double Skive - High Pressure Stems



Double Skive: 4SH, 100R13 & 100R15

## Balfit® Powerspir / Interlock Spiral Metric 90° Swept Female DKO - S Heavy Type - 26.5193

**INTERNAL and EXTERNAL SKIVING one piece**, carbon steel, heavy metric (metric thread, 24° cone with O'Ring) 90 swept female fitting for crimping on very high pressure hydraulic hoses



According to **ISO 12151-2** and **ISO 8434-1** According to **DIN 3865 series S**

- Material :** carbon steel, zinc plated  
**(Ferrule 20.405) Hoses :** Balflex Powerspir multi-spiral hoses **DIN EN 856 4SH Hose (1.1/4")**  
**(Ferrule 20.406) Hoses :** Balflex Powerspir multi-spiral hoses **DIN EN 856 4SH Hose (3/4" and 1")**,  
**SAE 100R13 Hose (all sizes) and SAE 100R15 Hose (all sizes)**

part number	hose dash	hose Ø	thread	thread dash	tube	C Cut Off	E	Hex.
		inch			mm	mm	mm	mm
26-1236-DHF90	- 12	3/4"	M36 x 2,0	- 36	25	56	60	46
26-1642-DHF90	- 16	1"	M42 x 2,0	- 42	30	69	69	50
26-2052-DHF90	- 20	1-1/4"	M52 x 2,0	- 52	38	83	83	60

also available:

### Balfit® Stainless Steel Powerspir Metric 90° Swept Female DKO - S Heavy Type

(add an 'S' at the end of the part number; ex: 26.5193.1236 S)

**Construction characteristics and dimensions may be changed at anytime without prior notice**

The data contained herein is for information purposes only and does not enlarge, amend or imply any warranty other than provided by the manufacturer with the product.

Any use of the product not in conformance with the manufacturer's instruction may be dangerous

Only items in this catalog are carried in stock. Some items are subject to minimum quantities or sold in multiples of standard quantities. Please refer to the price list or contact our commercial department. Prices subject to change without notice.



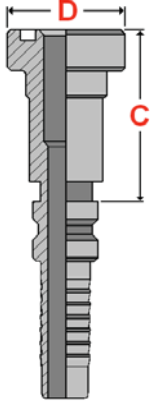


# Balfit<sup>®</sup> 26 Series - Code 62 Flange - Interlock Style Two Piece - Double Skive - High Pressure Stems

Double Skive: 4SH, 100R13 & 100R15

## Balfit<sup>®</sup> Powerspir / Interlock Spiral Straight SAE 6000 PSI (code 62) Flange - 26.7016

**INTERNAL and EXTERNAL SKIVING solid-piece**, carbon steel (code 62) flanged fitting for crimping on very high pressure hydraulic hoses



According to **ISO 6162** and **ISO 12151-3** According to **SAE J516** and **SAE J518**

**Material :** carbon steel, zinc plated

(Ferrule 20.405) Hoses : **Balflex Powerspir** multi-spiral hoses **DIN EN 856 4SH Hose** (1.1/4", 1.1/2" and 2")

(Ferrule 20.406) Hoses : **Balflex Powerspir** multi-spiral hoses **DIN EN 856 4SH Hose** (3/4" and 1"),  
**SAE 100R13 Hose** (all sizes) and **SAE 100R15 Hose** (all sizes)

part number	hose dash	hose Ø	Flange size	flange dash	D Ø Flange	C Cut Off
		inch	inch		mm	mm
26-1212-PH	- 12	3/4"	3/4"	- 12	41,3	54
26-1216-PH	- 12	3/4"	1"	- 16	47,6	60
26-1616-PH	- 16	1"	1"	- 16	47,6	61
26-1620-PH	- 16	1"	1.1/4"	- 20	54,0	68
26-2020-PH	- 20	1.1/4"	1.1/4"	- 20	54,0	70
26-2024-PH	- 20	1.1/4"	1.1/2"	- 24	63,5	76
26-2424-PH	- 24	1.1/2"	1.1/2"	- 24	63,5	76
26-2432-PH	- 24	1.1/2"	2"	- 32	79,4	85
26-3232-PH	- 32	2"	2"	- 32	79,4	85

also available:

### Balfit<sup>®</sup> Stainless Steel Powerspir Straight SAE 6000 PSI (code 62) Flange

(add an 'S' at the end of the part number; ex: 26.7016.1212 S)

#### Construction characteristics and dimensions may be changed at anytime without prior notice

The data contained herein is for information purposes only and does not enlarge, amend or imply any warranty other than provided by the manufacturer with the product.

Any use of the product not in conformance with the manufacturer's instruction may be dangerous

Only items in this catalog are carried in stock. Some items are subject to minimum quantities or sold in multiples of standard quantities. Please refer to the price list or contact our commercial department. Prices subject to change without notice.

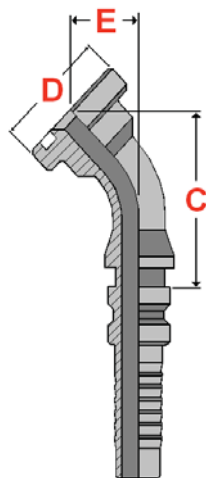
# Balfit® 26 Series - Code 62 - 45° Flange - Interlock Style Two Piece - Double Skive - High Pressure Stems



Double Skive: 4SH, 100R13 & 100R15

## Balfit® Powerspir / Interlock Spiral 45° Swept SAE 6000 PSI (code 62) Flange - 26.7046

**INTERNAL and EXTERNAL SKIVING solid-piece**, carbon steel (code 62) 45 swept flanged fitting for crimping on very high pressure hydraulic hoses



According to **ISO 6162** and **ISO 12151-3** According to **SAE J516** and **SAE J518**

**Material :** carbon steel, zinc plated

**(Ferrule 20.405) Hoses :** Balflex Powerspir multi-spiral hoses **DIN EN 856 4SH Hose** (1.1/4", 1.1/2" and 2")

**(Ferrule 20.406) Hoses :** Balflex Powerspir multi-spiral hoses **DIN EN 856 4SH Hose** (3/4" and 1"),  
**SAE 100R13 Hose** (all sizes) and **SAE 100R15 Hose** (all sizes)

part number	hose dash	hose Ø	Flange size	flange dash	D Ø Flange	C Cut Off	E
		inch	inch		mm	mm	mm
26-1212-PH45	- 12	3/4"	3/4"	- 12	41,3	75	28
26-1216-PH45	- 12	3/4"	1"	- 16	47,6	90	32
26-1616-PH45	- 16	1"	1"	- 16	47,6	88	35
26-1620-PH45	- 16	1"	1.1/4"	- 20	54,0	92	37
26-2020-PH45	- 20	1.1/4"	1.1/4"	- 20	54,0	102	42
26-2024-PH45	- 20	1.1/4"	1.1/2"	- 24	63,5	133	57
26-2424-PH45	- 24	1.1/2"	1.1/2"	- 24	63,5	120	57
26-2432-PH45	- 24	1.1/2"	2"	- 32	79,4	163	66
26-3232-PH45	- 32	2"	2"	- 32	79,4	150	66

also available:

### Balfit® Stainless Steel Powerspir 45° Swept SAE 6000 PSI (code 62) Flange

(add an 'S' at the end of the part number; ex: 26.7046.1212 S)

#### Construction characteristics and dimensions may be changed at anytime without prior notice

The data contained herein is for information purposes only and does not enlarge, amend or imply any warranty other than provided by the manufacturer with the product.

Any use of the product not in conformance with the manufacturer's instruction may be dangerous

Only items in this catalog are carried in stock. Some items are subject to minimum quantities or sold in multiples of standard quantities. Please refer to the price list or contact our commercial department. Prices subject to change without notice.

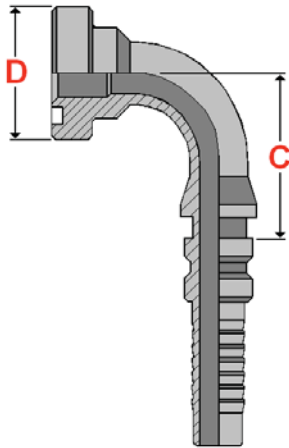


# Balfit® 26 Series - Code 62 - 90° Flange - Interlock Style Two Piece - Double Skive - High Pressure Stems

Double Skive: 4SH, 100R13 & 100R15

## Balfit® Powerspir / Interlock Spiral 90° Swept SAE 6000 PSI (code 62) Flange - 26.7096

**INTERNAL and EXTERNAL SKIVING solid-piece, carbon steel (code 62) 90 swept flanged fitting for crimping on very high pressure hydraulic hoses**



According to **ISO 6162** and **ISO 12151-3** According to **SAE J516** and **SAE J518**

- Material :** carbon steel, zinc plated  
**(Ferrule 20.405) Hoses :** **Balflex Powerspir** multi-spiral hoses **DIN EN 856 4SH Hose** (1.1/4", 1.1/2" and 2")  
**(Ferrule 20.406) Hoses :** **Balflex Powerspir** multi-spiral hoses **DIN EN 856 4SH Hose** (3/4" and 1"),  
**SAE 100R13 Hose** (all sizes) and **SAE 100R15 Hose** (all sizes)

part number	hose dash	hose Ø	Flange size	flange dash	D Ø Flange	C Cut Off	E
		inch	inch		mm	mm	mm
26-1212-PH90	- 12	3/4"	3/4"	- 12	41,3	57	57
26-1216-PH90	- 12	3/4"	1"	- 16	47,6	57	63
26-1616-PH90	- 16	1"	1"	- 16	47,6	70	70
26-1620-PH90	- 16	1"	1.1/4"	- 20	54,0	76	77
26-2020-PH90	- 20	1.1/4"	1.1/4"	- 20	54,0	85	88
26-2024-PH90	- 20	1.1/4"	1.1/2"	- 24	63,5	85	96
26-2424-PH90	- 24	1.1/2"	1.1/2"	- 24	63,5	99	104
26-2432-PH90	- 24	1.1/2"	2"	- 32	79,4	99	116
26-3232-PH90	- 32	2"	2"	- 32	79,4	125	136

also available:

### Balfit® Stainless Steel Powerspir 90° Swept SAE 6000 PSI (code 62) Flange

(add an 'S' at the end of the part number; ex: 26.7096.1212 S)

**Construction characteristics and dimensions may be changed at anytime without prior notice**

The data contained herein is for information purposes only and does not enlarge, amend or imply any warranty other than provided by the manufacturer with the product.

Any use of the product not in conformance with the manufacturer's instruction may be dangerous

Only items in this catalog are carried in stock. Some items are subject to minimum quantities or sold in multiples of standard quantities. Please refer to the price list or contact our commercial department. Prices subject to change without notice.

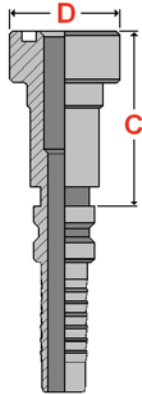
# Balfit<sup>®</sup> 26 Series - Supercat Flange - Interlock Style Two Piece - Double Skive - High Pressure Stems



Double Skive: 4SH, 100R13 & 100R15

## Balfit<sup>®</sup> Powerspir / Interlock Spiral Straight SUPERCAT Flange 26.7116

**INTERNAL and EXTERNAL SKIVING**, carbon steel Supercat flanged fitting for crimping on very high pressure hydraulic hoses



According to **SAE J516** and **SAE J518**

**Material :** carbon steel, zinc plated

**(Ferrule 20.405) Hoses :** Balflex Powerspir multi-spiral hoses DIN EN 856 4SH Hose (1.1/4", 1.1/2" and 2")

**(Ferrule 20.406) Hoses :** Balflex Powerspir multi-spiral hoses DIN EN 856 4SH Hose (3/4" and 1"),  
SAE 100R13 Hose (all sizes) and SAE 100R15 Hose (all sizes)

part number	hose dash	hose	Flange size	flange	D	C
		Ø		dash	Ø Flange	
		inch	inch		mm	mm
26-1212-SC	- 12	3/4"	3/4"	- 12	41,3	58
26-1216-SC	- 12	3/4"	1"	- 16	47,6	64
26-1616-SC	- 16	1"	1"	- 16	47,6	65
26-1620-SC	- 16	1"	1.1/4"	- 20	54,0	73
26-2020-SC	- 20	1.1/4"	1.1/4"	- 20	54,0	74
26-2024-SC	- 20	1.1/4"	1.1/2"	- 24	63,5	78
26-2424-SC	- 24	1.1/2"	1.1/2"	- 24	63,5	80
26-2432-SC	- 24	1.1/2"	2"	- 32	79,4	85
26-3232-SC	- 32	2"	2"	- 32	79,4	85

**Construction characteristics and dimensions may be changed at anytime without prior notice**

The data contained herein is for information purposes only and does not enlarge, amend or imply any warranty other than provided by the manufacturer with the product.

Any use of the product not in conformance with the manufacturer's instruction may be dangerous

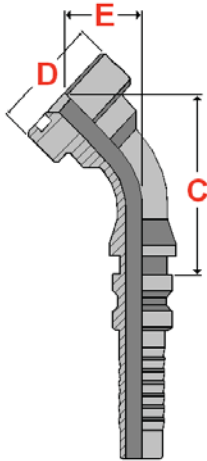
Only items in this catalog are carried in stock. Some items are subject to minimum quantities or sold in multiples of standard quantities. Please refer to the price list or contact our commercial department. Prices subject to change without notice.

# Balfit® 26 Series - Supercat 45° Flange - Interlock Style Two Piece - Double Skive - High Pressure Stems

Double Skive: 4SH, 100R13 & 100R15

## Balfit® Powerspir / Interlock Spiral 45° Swept SUPERCAT Flange - 26.7146

**INTERNAL and EXTERNAL SKIVING solid-piece**, carbon steel Supercat 45 swept flanged fitting for crimping on very high pressure hydraulic hoses



According to **ISO 6162** and **ISO 12151-3** According to **SAE J516** and **SAE J518**

- Material :** carbon steel, zinc plated  
**(Ferrule 20.405) Hoses :** Balflex Powerspir multi-spiral hoses DIN EN 856 4SH Hose (1.1/4", 1.1/2" and 2")  
**(Ferrule 20.406) Hoses :** Balflex Powerspir multi-spiral hoses DIN EN 856 4SH Hose (3/4" and 1"),  
 SAE 100R13 Hose (all sizes) and SAE 100R15 Hose (all sizes)

part number	hose dash	hose Ø	Flange size	flange dash	D	C	E
		inch	inch		Ø Flange	Cut Off	
		inch	inch			mm	mm
26-1212-SC45	- 12	3/4"	3/4"	- 12	41,3	88	32
26-1216-SC45	- 12	3/4"	1"	- 16	47,6	93	37
26-1616-SC45	- 16	1"	1"	- 16	47,6	115	42
26-1620-SC45	- 16	1"	1.1/4"	- 20	54,0	115	46
26-2020-SC45	- 20	1.1/4"	1.1/4"	- 20	54,0	131	53
26-2024-SC45	- 20	1.1/4"	1.1/2"	- 24	63,5	136	57
26-2424-SC45	- 24	1.1/2"	1.1/2"	- 24	63,5	154	58
26-2432-SC45	- 24	1.1/2"	2"	- 32	79,4	163	66
26-3232-SC45	- 32	2"	2"	- 32	79,4	198	71

**Construction characteristics and dimensions may be changed at anytime without prior notice**

The data contained herein is for information purposes only and does not enlarge, amend or imply any warranty other than provided by the manufacturer with the product.

Any use of the product not in conformance with the manufacturer's instruction may be dangerous

Only items in this catalog are carried in stock. Some items are subject to minimum quantities or sold in multiples of standard quantities. Please refer to the price list or contact our commercial department. Prices subject to change without notice.

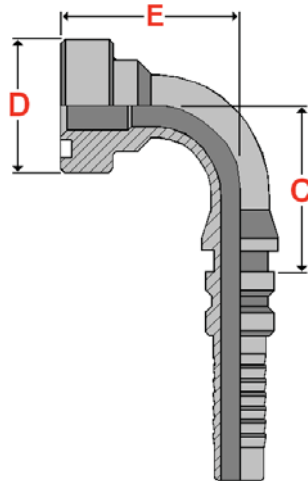
# Balfit<sup>®</sup> 26 Series - Supercat 90° Flange - Interlock Style Two Piece - Double Skive - High Pressure Stems



Double Skive: 4SH, 100R13 & 100R15

## Balfit<sup>®</sup> Powerspir / Interlock Spiral 90° Swept SUPERCAT Flange - 26.7196

**INTERNAL and EXTERNAL SKIVING solid-piece**, carbon steel Supercat 90° swept flanged fitting for crimping on very high pressure hydraulic hoses



According to **ISO 6162** and **ISO 12151-3** According to **SAE J516** and **SAE J518**

- Material :** carbon steel, zinc plated  
**(Ferrule 20.405) Hoses :** Balflex Powerspir multi-spiral hoses DIN EN 856 4SH Hose (1.1/4", 1.1/2" and 2")  
**(Ferrule 20.406) Hoses :** Balflex Powerspir multi-spiral hoses DIN EN 856 4SH Hose (3/4" and 1"),  
 SAE 100R13 Hose (all sizes) and SAE 100R15 Hose (all sizes)

part number	hose dash	hose Ø	Flange size	flange dash	D Ø Flange	C Cut Off	E
		inch	inch		mm	mm	mm
26-1212-SC90	- 12	3/4"	3/4"	- 12	41,3	56	60
26-1216-SC90	- 12	3/4"	1"	- 16	47,6	56	67
26-1616-SC90	- 16	1"	1"	- 16	47,6	71	79
26-1620-SC90	- 16	1"	1.1/4"	- 20	54,0	72	85
26-2020-SC90	- 20	1.1/4"	1.1/4"	- 20	54,0	85	90
26-2024-SC90	- 20	1.1/4"	1.1/2"	- 24	63,5	91	92
26-2424-SC90	- 24	1.1/2"	1.1/2"	- 24	63,5	99	104
26-2432-SC90	- 24	1.1/2"	2"	- 32	79,4	99	112
26-3232-SC90	- 32	2"	2"	- 32	79,4	125	136

**Construction characteristics and dimensions may be changed at anytime without prior notice**

The data contained herein is for information purposes only and does not enlarge, amend or imply any warranty other than provided by the manufacturer with the product.

Any use of the product not in conformance with the manufacturer's instruction may be dangerous

Only items in this catalog are carried in stock. Some items are subject to minimum quantities or sold in multiples of standard quantities. Please refer to the price list or contact our commercial department. Prices subject to change without notice.



### Balflex CC1000 & CC650 with ACT Electronic Programmable Control

- **CC1000**
- **485 ton**
- **Max Die I.D 230mm**
- **2.5" Max hose diameter - 2,4 & 6 wire**
- **10" Max Industrial Hose**
- **Manual or Fully Automatic Crimping**
- **7.5 HP - 2 Stage Pump**
- **Inch & Metric Settings**
- **1030 Crimps-per-hour (Approximate)**



- **CC650**
- **350 Ton**
- **Max Die I.D 160mm**
- **2.5" Max hose diameter - 2,4 & 6 wire**
- **6" Max Industrial Hose**
- **Manual or Fully Automatic Crimping**
- **7.5 HP - 2 Stage Pump**
- **Inch & Metric Settings**
- **2200 Crimps-per-hour (Approximate)**
- 

**Construction characteristics and dimensions may be changed at anytime without prior notice**

The data contained herein is for information purposes only and does not enlarge, amend or imply any warranty other than provided by the manufacturer with the product.

Any use of the product not in conformance with the manufacturer's instruction may be dangerous

Only items in this catalog are carried in stock. Some items are subject to minimum quantities or sold in multiples of standard quantities. Please refer to the price list or contact our commercial department. Prices subject to change without notice.



### Balflex CC60 & CC4-50 with ACT Electronic Programmable Control



- **CC60**
- **265 Ton**
- **Max Die I.D 145mm**
- **2" Max hose diameter - 2,4 & 6 wire**
- **4" Max Industrial Hose**
- **Manual or Fully Automatic Crimping**
- **7.5 HP - 2 Stage Pump**
- **Inch & Metric Settings**
- **1415 Crimps-per-hour (Approximate)**
- 

- **CC4-50**
- **340 Ton**
- **Max Die I.D 130mm**
- **2,5" Max hose diameter - 2,4 & 6 wire**
- **2.5" Max Industrial Hose**
- **Manual or Fully Automatic Crimping**
- **7.5 HP - 2 Stage Pump**
- **Inch & Metric Settings**
- **1130 Crimps-per-hour (Approximate)**



**Construction characteristics and dimensions may be changed at anytime without prior notice**

The data contained herein is for information purposes only and does not enlarge, amend or imply any warranty other than provided by the manufacturer with the product.

Any use of the product not in conformance with the manufacturer's instruction may be dangerous

Only items in this catalog are carried in stock. Some items are subject to minimum quantities or sold in multiples of standard quantities. Please refer to the price list or contact our commercial department. Prices subject to change without notice.





# Balflex® Crimping Equipment

## BALFLEX CC30 & CC200



### CC30

- 155 Ton
- Max Die I.D 84mm
- 2" Max hose diameter - 2 wire
- 1.5" Max hose diameter - 4 wire
- 1.25" Max hose diameter - 6 wire
- Manual Crimping
- 1 HP / 2 HP
- Metric only settings
- 500 - Crimps-per-hour (Approximate)



### CC200

- 340 Ton
- Max Die I.D 130mm
- 2.5" Max Hose Diameter - 2, 4 & 6 wire
- 2.5" Max Industrial Hose Diameter
- Manual Crimping
- 1 HP / 2 HP
- Metric only settings
- 1130 - Crimps-per-hour (Approximate)

"CC" Series Standard Die Sizes			
89 Series Dies	84 Series Dies	99 Series Dies	Effective Crimp
80S-07-56	84S-07-55	99S-07-55	7-8mm
80S-08-56	84S-08-55	99S-08-55	8-10mm
80S-10-56	84S-10-55	99S-10-55	10-12mm
80S-12-56	84S-12-55	99S-12-SS	12-14mm
80S-13-56			13-15mm
	84S-14-55	99S-14-55	14-16mm
	84S-16-55	99S-16-55	16-19mm
80S-18-56			18-21mm
	84S-19-55	99S-19-55	19-22mm
80S-21-56			21-25mm
		99S-22-70	22-26mm
	84S-23-55		23-27mm
		99S-26-70	26-30mm
80S-27-90	84S-27-70		27-31mm
		99S-30-70	30-34mm
	84S-31-70		31-36mm
80S-33-90			33-38mm
		99S-34-75	34-39mm
	84S-36-75		36-41mm
80S-39-90		99S-39-75	39-45mm
	84S-41-75		41-47mm
80S-45-90		99S-45-86	45-51mm
	84S-47-85		47-53mm
80S-51-90		99S-51-86	51-57mm
		99S-57-100	57-63mm
		99S-63-110	63-69mm
80S-66-125			66-71mm
		99S-69-110	69-75mm
80S-70-125			70-76mm
		99S-69-110	74-80mm
		99S-78-110	78-87mm

**Construction characteristics and dimensions may be changed at anytime without prior notice**

The data contained herein is for information purposes only and does not enlarge, amend or imply any warranty other than provided by the manufacturer with the product.

Any use of the product not in conformance with the manufacturer's instruction may be dangerous

Only items in this catalog are carried in stock. Some items are subject to minimum quantities or sold in multiples of standard quantities. Please refer to the price list or contact our commercial department. Prices subject to change without notice.



### D165

- 60 Ton
- 1.25" Max hose diameter - 2 & 4 wire
- 1" Max hose diameter - 6 wire (with DA Tool)
- Manual Crimping
- 1 HP
- 300 - Crimps-per-hour (Approximate)

"D" Series Standard Die Sizes		
D100 Die Series	D200 Die Series	Effective Crimp Range
7mm	7mm	7-8mm
8mm	8mm	8-10mm
10mm	10mm	10-13mm
12mm	12mm	12-15mm
14mm	14mm	14-17mm
16mm	16mm	16-20mm
19mm	19mm	19-23mm
22mm	22mm	22-26mm
25mm	25mm	25-29mm
28mm	28mm	28-32mm
31mm	31mm	31-35mm
35mm	35mm	35-39mm
39mm	39mm	39-43mm
43mm	43mm	43-47mm
	47mm	47-51mm
	51mm	51-55mm
	54mm	54-58mm
	58mm	58-61mm



### D105

- 35 Ton
- 1" Max hose diameter - 2 wire
- .75" Max hose diameter - 4 wire
- Manual Crimping
- 1 HP
- 450 - Crimps-per-hour (Approximate)

#### "D" Series Die Notes

D100 Die Series Crimp Length:

7- 9mm Crimp Dia: 25mm Crimp Length

10-22mm Crimp Dia: 44mm Crimp Length

25-43mm Crimp Dia: 57mm Crimp Length

D200 Die Series Crimp Length

7-22mm Crimp Dia.: 51mm Crimp Length

25-38mm Crimp Dia.: 64mm Crimp Length

39-58mm Crimp Dia.: 76 mm Crimp Length

Special Die sizes and configurations are available

#### Construction characteristics and dimensions may be changed at anytime without prior notice

The data contained herein is for information purposes only and does not enlarge, amend or imply any warranty other than provided by the manufacturer with the product.

Any use of the product not in conformance with the manufacturer's instruction may be dangerous

Only items in this catalog are carried in stock. Some items are subject to minimum quantities or sold in multiples of standard quantities. Please refer to the price list or contact our commercial department. Prices subject to change without notice.



# Balflex® Hose Cutting Saws

HS 150 & HS 500

The Balflex® HS Series Hose Saws offer sturdy construction for years of dependable service.

The HS150 (1 HP) will cut up to 1-1/4 inch 4 wire hose and up to 1 inch 6 wire hose. The 1 HP motor is available only in 110 Volt configuration.

The HS 300 (3 HP) saw will cut up to 1-1/4 inch 6 wire hose or up to 2 inch 2 wire hose.

The HS 500 (5 HP) saw will cut up to 2 inch 6 wire hose with the serrated blade.

The HS300 and the HS500 saw are available in:  
220 Volt Single Phase  
220 Volt 3 Phase  
480 Volt 3 Phase



**Blade choice is a function of the type of hose being cut.**

The **serrated blade (P/N 103187)** is recommended for general purpose cutting, and is the only blade recommended for cutting 2 inch 6 wire hose with the HS 500 Hose Saw.

The **smooth blade (P/N 102210)** is recommended for cutting braided hose and will give minimal debris in the cut hose.

## Additional features and accessories are available for both the HS300 and the HS500

**Mister Kit (P/N 103172)** sprays a fine mist of air tool oil on the blade for longer blade life and smoother cuts.

**Counter** keeps track of the number of cuts made and is easily reset to zero.

**“Hose Helper”** acts like a third hand to retain the hose in position during the cutting process. It can be mounted on either end of the saw table.

### Construction characteristics and dimensions may be changed at anytime without prior notice

The data contained herein is for information purposes only and does not enlarge, amend or imply any warranty other than provided by the manufacturer with the product.

Any use of the product not in conformance with the manufacturer's instruction may be dangerous

Only items in this catalog are carried in stock. Some items are subject to minimum quantities or sold in multiples of standard quantities. Please refer to the price list or contact our commercial department. Prices subject to change without notice.



## SM 300 HOSE SKIVER

The Balflex® SM300 Hose Skiver is capable of skiving hose sizes from 1/2 in to 3 inch, and it has features which not only make it easier to set up and use but also make it an outstanding value.

### Unique Features of the SM300 Hose Skiver

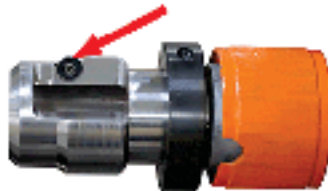
Both O.D. and I.D. skiving tools use standard easily replaceable carbide cutting inserts (arrows) in place of the more commonly used high speed steel tools. Carbide inserts stay sharp many times longer than the more commonly used high speed steel. When the carbide inserts do become dull you never need to remove or readjust the tool to sharpen an insert. Simply rotate the insert to another cutting edge or replace the insert if required.

The O.D. skiving tool has two cutting arms. Both can be used for skiving a single hose size, but the real advantage is that one arm can be adjusted for 4 wire hose and the other arm for 6 wire hose. To switch from 4 wire to 6 wire skiving, simply remove the insert from one cutting arm and move it to the other. There is no need to readjust the tool.

Quick disconnect couplings mean that tool changes are made in a matter of seconds with no need to readjust the tool.



Easily skive from 1/2 inch to 3 inch  
Fast and easy setup  
Bench mount or Roll Around Stand



### Construction characteristics and dimensions may be changed at anytime without prior notice

The data contained herein is for information purposes only and does not enlarge, amend or imply any warranty other than provided by the manufacturer with the product.

Any use of the product not in conformance with the manufacturer's instruction may be dangerous

Only items in this catalog are carried in stock. Some items are subject to minimum quantities or sold in multiples of standard quantities. Please refer to the price list or contact our commercial department. Prices subject to change without notice.



# Balflex® Hydraulic Hose Test Benches

## BE SERIES TEST BENCHES

The Balflex® “BE” Series Test Benches are designed with features that make proof and burst testing of hydraulic hose assemblies a quick and easy procedure.

### Manual BE Series Test Bench



In today's safety conscious environment testing is the final critical step in assuring that the product being delivered to your customer will meet all of the hose and fitting manufacturers specifications. Whether you are producing a single assembly or a production run, Balflex® has the test equipment to give both you and your customer the assurance that the product being produced has been assembled correctly

- Test pressure range to 50,000 psi (3500 bar) at 85 psi air
- Programmable electronic model with paper tape printout
- Zero to 5000 psi low pressure gage available
- 1/2" polycarbonate safety window
- Powder coat finish for durability
- Test area is at a convenient working height
- Interior coated with polyurethane bed liner material
- Automatic pressure cut off when door is opened
- 6 port multiple outlet manifold is standard
- Built in work light for good visibility during testing
- Pressure medium is standard tap water outlet
- Full front opening allows hose to be loaded on a skid
- Interior Dimensions: 18" high X 35 " wide X 71" long
- Three pressure ranges are available:
  - BE1500: 1500 bar ( 21,500psi)
  - BE2500: 2500 bar (37,500psi)
  - BE3500: 3500 bar ( 50,000psi)

### Electronic BE Series Test Bench



#### Construction characteristics and dimensions may be changed at anytime without prior notice

The data contained herein is for information purposes only and does not enlarge, amend or imply any warranty other than provided by the manufacturer with the product.

Any use of the product not in conformance with the manufacturer's instruction may be dangerous

Only items in this catalog are carried in stock. Some items are subject to minimum quantities or sold in multiples of standard quantities. Please refer to the price list or contact our commercial department. Prices subject to change without notice.

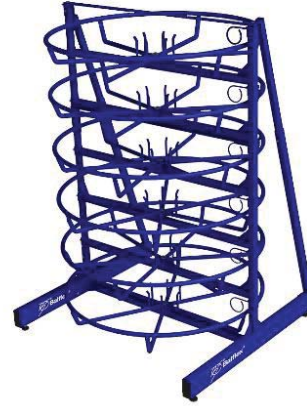


The Best Name You Can Get In Hose

## Balflex<sup>®</sup> HOSE REEL – 90.DM4 / 90.DM6



**DM4**



**DM6**

	<i><b>DM4 Model</b></i>	<i><b>DM6 Model</b></i>
<i><b>Number of plates</b></i>	4	6
<i><b>Material</b></i>	Steel	Steel
<i><b>Reel Diameter</b></i>	1100 mm	1100 mm
<i><b>L x W x H</b></i>	1250 x 1150 x 1050 mm	1250 x 1150 x 1550 mm

*Holds - 1 and 2 wire braid up to -16*

### Benefits of Coils vs Reels

Coils use much less shelf space - giving you back valuable real estate

Coils have little to no waste - no reels to recycle or throw away

**Construction characteristics and dimensions may be changed at anytime without prior notice**

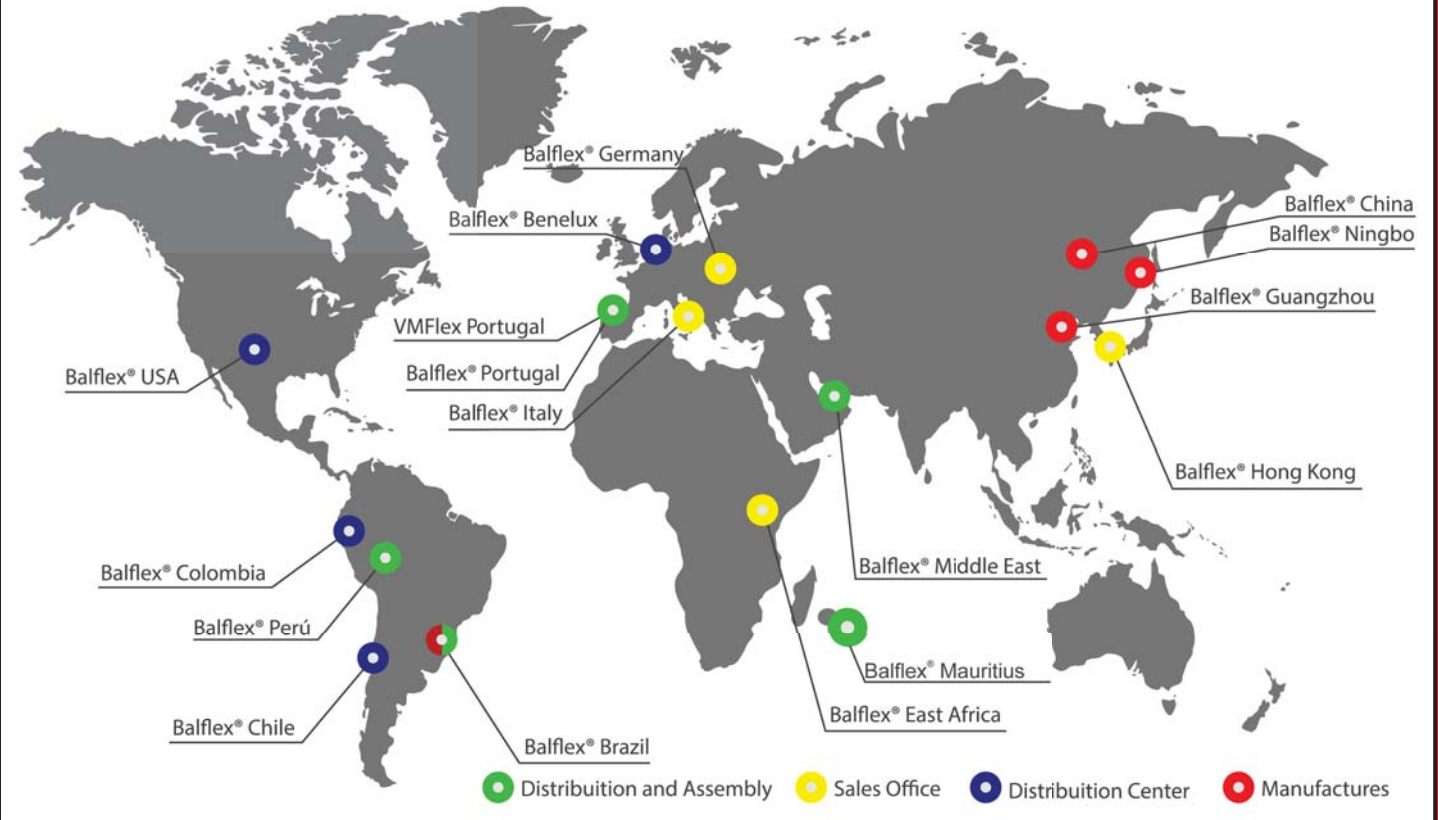
The data contained herein is for information purposes only and does not enlarge, amend or imply any warranty other than provided by the manufacturer with the product.

Any use of the product not in conformance with the manufacturer's instruction may be dangerous

Only items in this catalog are carried in stock. Some items are subject to minimum quantities or sold in multiples of standard quantities. Please refer to the price list or contact our commercial department. Prices subject to change without notice.



# Global Presence Balflex®



## **Balflex® USA**

*88 Jensen Dr. (Suite A)*

*Houston, TX. 77020*

*Phone: 713-928-6064*

*Fax: 713-928-6114*

*Email: [sales@balflex.com](mailto:sales@balflex.com)*

*[www.balflexusa.com](http://www.balflexusa.com)*



*Balflex® - The Best Name You Can Get In Hose*